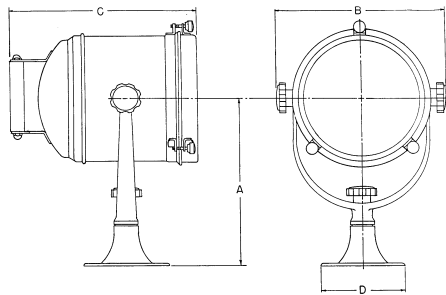


PSL SERIES

INCANDESCENT SEARCHLIGHTS



DESCRIPTION: The *PSL Series* is an incandescent searchlight with up to 4.6 million candlepower, used in marine and security applications.

SPECIFICATIONS

- **HOUSING:** All major components are brass (12", 15"), or marine grade aluminum (19") for superior corrosion resistance.
- **OUTSIDE FINISH:** White polyester powder coat finish is electrostatically applied and oven-cured to ensure consistent, complete coverage and maximize scratch-and-peel resistance.
- **INSIDE FINISH:** Heat resistant flat black enamel paint minimizes spill light.
- **REFLECTOR:** Parabolic silvered glass reflector focuses light into a tight and intense beam.
- **FOCUS:** External control enables changing from spot to flood without tools. Concentric louvers minimize front spill light.

- **LENS FRAME:** Gasketed lens frame maintains a positive seal to protect precision optical equipment.
- **LENS:** Heat-tempered glass lens withstands thermal shock and impact.
- **LAMPHOLDER:** Shock and vibration dampening assembly stabilizes lampholder to protect against lamp filament breakage or photometric misalignment due to vibration or impact (medium prefocus only).
- **ROTATION:** Sliding stop allows rotation beyond 360°.
- **HARDWARE:** All hardware is stainless steel for excellent corrosion resistance.

ORDERING INFORMATION

Example	SERIES	DRUM SIZE	CONTROL	LAMP HOLDER	DRUM TYPE	OPTIONS	
						BASE/MATERIAL	LEVER CONTROL LENGTH
	PSL	15	LO	1	VT	PED	18
	PSL	12	LC	1	VT	PED	XX
		15	LG	2	NV	HGH	
		19	WC	3		BRS	
			LO	4			
				5			
				6**			

DRUM SIZE

12 = 12" DRUM DIAMETER
15 = 15" DRUM DIAMETER
19 = 19" DRUM DIAMETER

CONTROL

LC = LEVER CONTROL
LG = LEVER GEAR CONTROL
WC = WHEEL CONTROL
LO = LOCAL CONTROL

LAMPHOLDER

1 = MEDIUM SCREW BASE
2 = MEDIUM PREFOCUS BASE
3 = MOGUL SCREW BASE
4 = MOGUL BIPOST BASE
5 = 2-PIN PREFOCUS BASE
6 = MOGUL PREFOCUS BASE**

DRUM TYPE

VT = VENTED (Required on 12" and 15" when operating 1000 watt lamps)
NV = NOT VENTED (Standard on 19")

** Available on 19" Drum Only

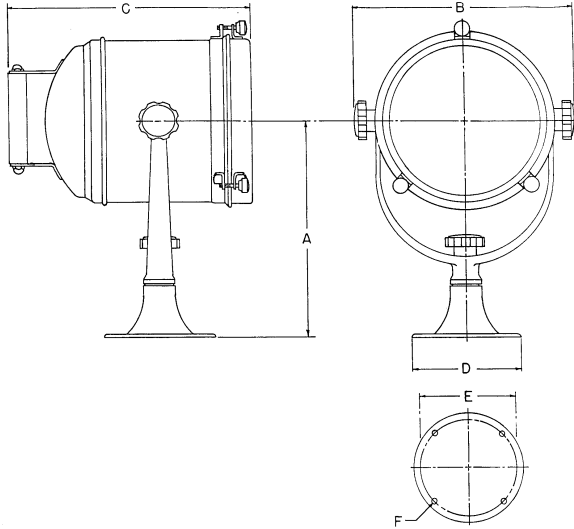
BASE/MATERIAL OPTIONS

PED = PEDESTAL BASE
HGH = HIGH BASE (Not available on 19")
BRS = Brass (Option for 19" only. Standard 19" is marine grade aluminum.)

LEVER CONTROL LENGTH OPTIONS

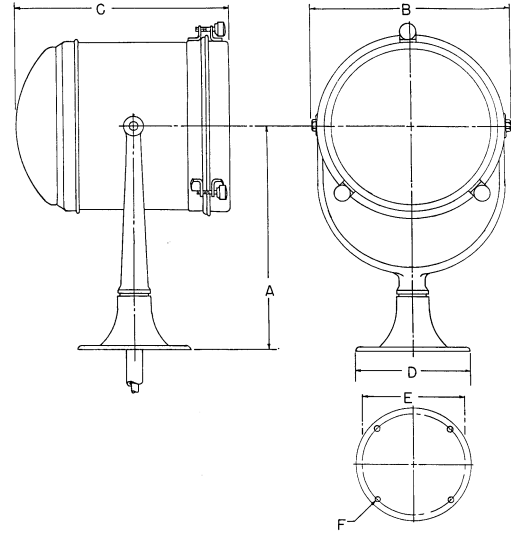
XX = LEVER CONTROL LENGTH IN INCHES
(As measured from the bottom of the searchlight base to the centerline of the lever control handle. See illustration on page 3.)

BASES AND CONTROLS



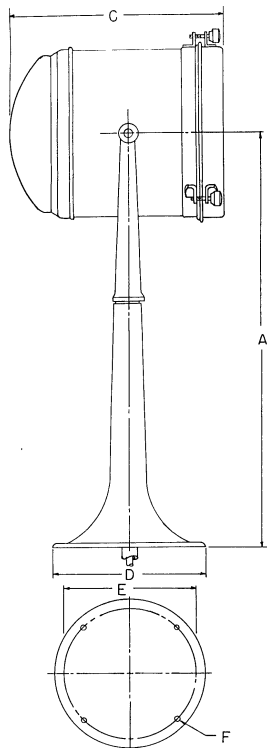
Standard Base - Local Controls

Size	A	B	C	D	E	F
12" DRUM	15 ¹⁵ / ₁₆	15 ⁵ / ₈	15 ¹ / ₂	8 ¹ / ₄	7 ³ / ₈	¹³ / ₃₂
15" DRUM	19 ⁷ / ₈	18 ⁷ / ₈	16 ⁷ / ₈	8 ¹ / ₄	7 ³ / ₈	¹³ / ₃₂
19" DRUM	Slight Design Variation - Contact Factory					



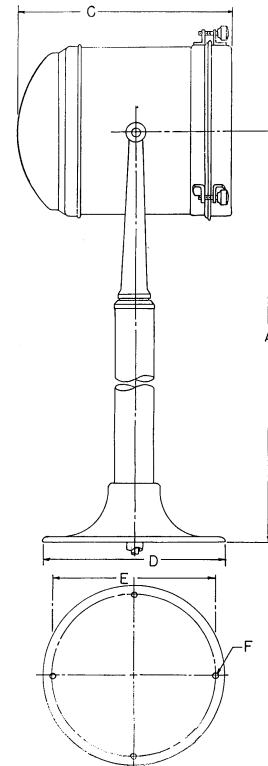
Standard Base - Manual Controls Below

Size	A	B	C	D	E	F
12" DRUM	15 ¹⁵ / ₁₆	13 ¹ / ₂	13 ¹ / ₄	8 ¹ / ₄	7 ³ / ₈	¹³ / ₃₂
15" DRUM	19 ⁷ / ₈	16 ³ / ₄	14 ⁷ / ₈	8 ¹ / ₄	7 ³ / ₈	¹³ / ₃₂
19" DRUM	Slight Design Variation - Contact Factory					



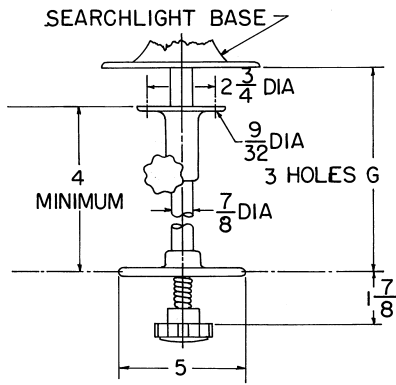
High Base - Manual Controls Below

Size	A	C	D	E	F
12" DRUM	25 ⁹ / ₁₆	13 ¹ / ₄	8 ³ / ₈	7 ³ / ₈	¹³ / ₃₂
15" DRUM	29 ¹ / ₂	14 ⁷ / ₈	8 ³ / ₈	7 ³ / ₈	¹³ / ₃₂
19" DRUM	Slight Design Variation - Contact Factory				



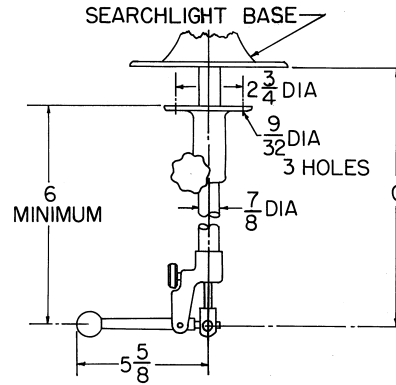
Pedestal Base - Manual Controls Below

Size	A	C	D	E	F
12" DRUM	48	13 ¹ / ₄	10	8 ¹ / ₄	¹³ / ₃₂
15" DRUM	48	14 ⁷ / ₈	10	8 ¹ / ₄	¹³ / ₃₂
19" DRUM	Slight Design Variation - Contact Factory				



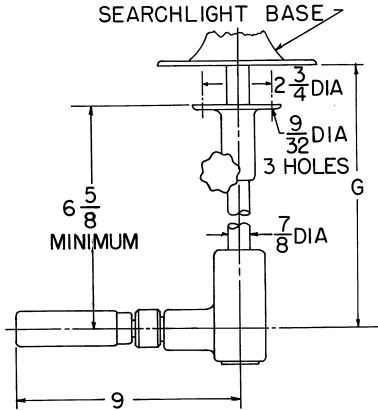
Wheel Control - Standard Length

Size	G
12"	9
15"	9
19"	20



Lever Control - Standard Length

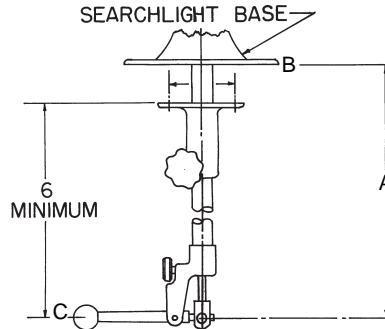
Size	G
12"	10 7/8
15"	10 7/8



Lever - Gear Control - Standard Length

Size	G
12"	10 7/8
15"	10 7/8
19"	22

MEASURING CONTROLS



The lever control length is equal to the vertical distance in inches (A) from the bottom of the searchlight base (B) to the centerline of the lever control handle (C).

WEIGHTS

	Type Control	Type Base	Net Wt. Lbs.	Shipping Wt. Lbs
	12 Inch	Local	Standard	22
High			27	36
Pedestal			34	64
Lever		Standard	26	35
		High	32	41
		Pedestal	39	60
Lever-Gear		Standard	29	38
		High	35	44
		Pedestal	42	63
Wheel Control	Standard	26	35	
	High	32	41	
	Pedestal	39	60	

	Type Control	Type Base	Net Wt. Lbs.	Shipping Wt. Lbs
	15 Inch	Local	Standard	39
High			44	56
Pedestal			50	80
Lever		Standard	43	55
		High	49	61
		Pedestal	56	77
Lever-Gear	Standard	46	58	
	High	52	64	
	Pedestal	59	80	
Wheel Control	Standard	43	55	
	High	49	61	
	Pedestal	56	77	

	Type Control	Type Base	Net Wt. Lbs.	Shipping Wt. Lbs
	19 Inch	Local	Standard	51
High			68	97
Pedestal			83	112
Lever-Gear		Standard	65	90
		High	83	112
		Pedestal	101	133
Wheel Control	Standard	65	90	
	High	83	112	
	Pedestal	101	133	

LAMP DATA

PSL - Searchlight Lamp Data (12" and 15")

Lamp Data							Peak Beam Candlepower**	
LAMP CODE	WATTS	VOLTS	BULB SIZE	BASE	DESCRIPTION	LIFE (HRS.)*	12" DRUM	15" DRUM
FDT	100	12	T4	2-Pin Prefocus	Tungsten Halogen	50	1,170,000	1,750,000
FDS	150	24	T4	2-Pin Prefocus	Tungsten Halogen	500	1,380,000	2,030,000
BTM	500	120	T6	Medium Prefocus	Tungsten Halogen	100	1,160,000	2,080,000
CZX	500	120	T10	Medium Prefocus	Projection	25	1,170,000	N/A
DMX	500	120	T20	Medium Prefocus	Projection	50	780,000	N/A
DYS	600	120	G7	2-Pin Prefocus	Tungsten Halogen	75	1,130,000	1,840,000
BTP	750	120	T6	Medium Prefocus	Tungsten Halogen	200	1,520,000	2,280,000

LAMPS BELOW TO BE USED IN VENTED DRUMS ONLY

BTR	1000	120	T7	Medium Prefocus	Tungsten Halogen	200	1,520,000	2,282,000
DRS	1000	120	T20	Medium Prefocus	Projection	25	1,650,000	3,280,000
DRC	1000	120	T20	Medium Prefocus	Projection	50	800,000	1,760,000

PSL - Searchlight Lamp Data (19")

Lamp Data							Peak Beam Candlepower**
LAMP CODE	WATTS	VOLTS		BASE	DESCRIPTION	LIFE (HRS.)*	19" DRUM
BTM	500	120	T6	Medium Prefocus	Tungsten Halogen	100	2,971,000
CZX	500	120	T10	Medium Prefocus	Incandescent	25	2,200,000
BTP	750	120	T6	Medium Prefocus	Tungsten Halogen	200	3,981,000
BVA	900	120	T7	2-Pin Prefocus	Tungsten Halogen	75	4,600,000
BTR	1000	120	T7	Medium Prefocus	Tungsten Halogen	250	4,300,000
DRS	1000	120	T20	Medium Prefocus	Incandescent	25	4,410,000
DWK	1000	230	T20	Medium Prefocus	Incandescent	50	1,600,000
FKN	1000	230	T7	Medium Prefocus	Tungsten Halogen	200	1,800,000
DRW	1000	120	T20	Mogul Screw	Incandescent	25	4,410,000
IM/T20BP	1000	120	T20	Mogul Bipost	Aero	500	2,381,000
CWZ	1500	120	T10	Mogul Prefocus	Tungsten Halogen	325	3,614,000
CXZ	1500	120	T10	Mogul Bipost	Tungsten Halogen	325	3,614,000
***BVW	2000	120	T10	Mogul Prefocus	Tungsten Halogen	300	3,000,000

* These lamp manufacturer's figures are relative only. Individual lamps may vary considerably.

** These figures are given to help in lamp selection. Peak beam candlepower: the intensity of light produced at the center of a reflector lamp, expressed in candelas.

*** Intermittent duty only (one hour or less).

N5610336D