

METALLIC VP SERIES

Vaporproof Fixture



C717 Ceiling Mount



C723 Small Ceiling Mount



P767 Pendant Mount



W729 Bulkhead Mount



W733 Bulkhead Mount
with Sidebar



W707 Bulkhead Mount

DESCRIPTION: The *Metallic Vaporproof Series* consists of heavy duty brass and marine-grade aluminum fixtures designed for use in marine outside, saltwater or other industrial environments. Multiple mounting options are available. Typical applications include; marine vessels, offshore platforms, US Navy ships, tankers, exploratory drill ships and waste water treatment plants. Models are UL Listed 1598A - Marine Outside Type (Saltwater).

SPECIFICATIONS

Housing: Heavy-wall cast brass or ultra-low copper content marine-grade aluminum. Long life silicone gaskets.

Hardware: All external hardware is stainless steel for ultimate corrosion resistance.

Grounding: Mounting boxes include means to ground fixture.

Lamps: Accepts standard incandescent A-style lamps up to 150 watts.

Globes: Clear glass globe is standard.

Guard: Heavy-wall brass or ultra-low copper content marine-grade aluminum is provided with the fixture.

Mounting: Bulkhead (wall), ceiling, and pendant mounts available.

Outlets: C723 supplied with one ½" NPT outlet unless specified otherwise. W733 supplied with two ½"NPT outlets unless specified otherwise. All others supplied without NPT outlets, or "blank". Other outlet options available upon request.

COMPLIANCES

UL1598A Marine Outside Type (Saltwater)

ABS



N-5499776E

PHOENIX[®]
Durability by Design

8711 West Port Avenue • Milwaukee, WI 53224 USA • Phone: 414.973.3300 • Fax: 414.973.3210
www.phoenixproducts.com

PHOENIX[®]

ORDERING INFORMATION

SERIES	MOUNT	SIZE	GLOBES	OPTIONS
VB	W729	6	GCL	TB
VB VA	C717 C723 ¹ P767 W707 W729 W733 ²	6 7	GCL	TB

SERIES

VB = Brass
VA = Aluminum

MOUNTING

C717 = Ceiling
C723 = Ceiling Small¹
P767 = Pendant
W707 = Wall (Bulkhead)
W729 = Wall (Bulkhead)
W733 = Wall (Bulkhead), with Sidebar²

SIZE

6 = 6" Globe (100W Max)
7 = 7" Globe (150W Max)

GLOBES

GCL = Clear Glass

OPTIONS

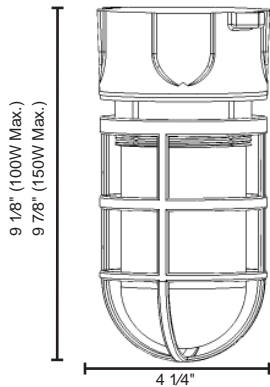
TB = Terminal Block
(Not available with
W733 or P767)

¹ Supplied with one ½" NPT outlet directly adjacent to mounting tab as standard unless otherwise specified by customer

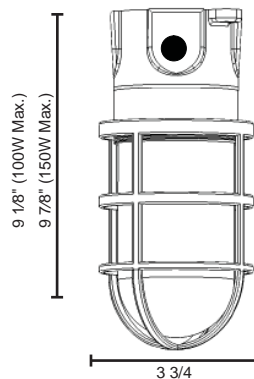
² Supplied with two ½" NPT outlets at 180 degrees as standard unless otherwise specified by customer

DIMENSIONS

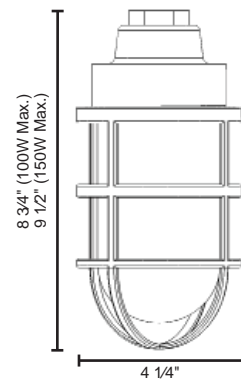
C717 Ceiling Mount



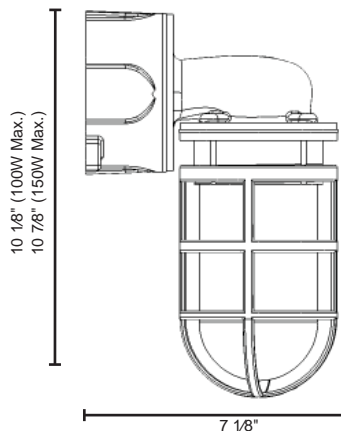
C723 Small Ceiling Mount¹



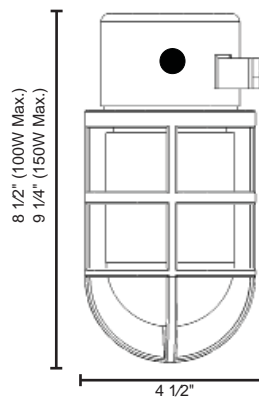
P767 Pendant Mount



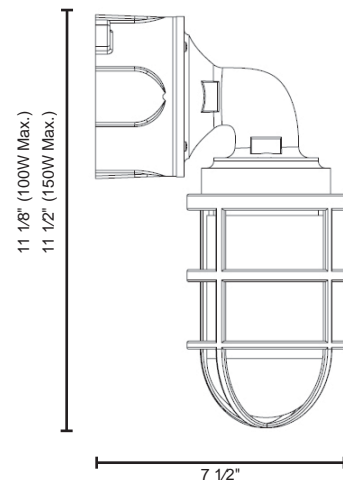
W729 Bulkhead Mount



W733 Bulkhead Mount with Sidebar²



W707 Bulkhead Mount



N-5499776E

PHOENIX[®]

Durability by Design

8711 West Port Avenue • Milwaukee, WI 53224 USA • Phone: 414.973.3300 • Fax: 414.973.3210

www.phoenixproducts.com