

VPH SERIES

HID Vaporproof Fixture

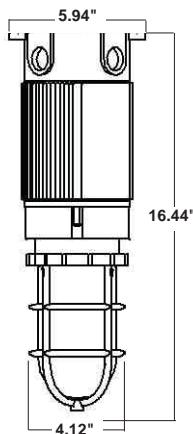


50W MH Ceiling Mount

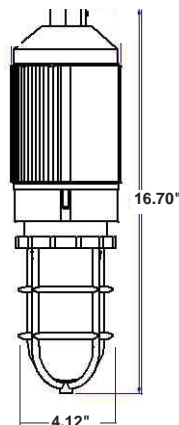
50W MH Wall Mount



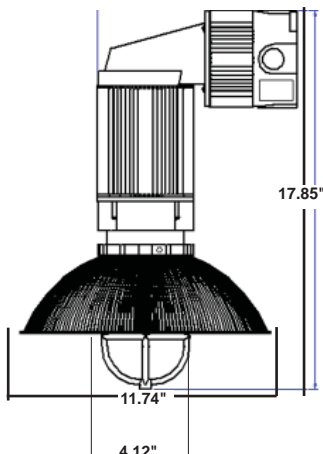
Ceiling Mount



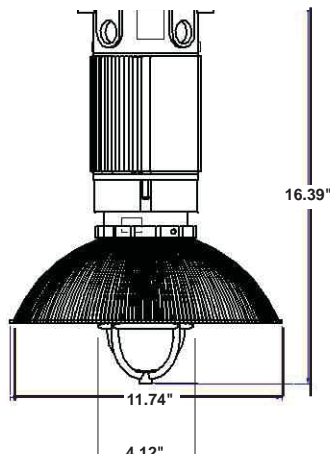
Pendant Mount



Wall Mount



Ceiling Mount With Reflector



DESCRIPTION: The *VPH Series* is a high intensity discharge, vaporproof light designed for use in a wide variety of industrial and marine environments. Multiple mounting and other options are available. Typical applications include food processing areas, stairwells, elevator pits, pulp and paper processing areas, petro chemical, and waste water treatment plants.

SPECIFICATIONS

Housing - Engineering grade non-metallic, glass reinforced thermoplastic construction with marine-grade aluminum extrusion for protection against impact, high temperatures, chemical splash, and for corrosion resistance. Long-life silicone gaskets provide vaportight seal against outside elements.

Hardware - All external screws and inserts are made of corrosion resistant brass.

Grounding - Integral metal grounding frame delivers "hub-to-hub" grounding continuity.

Lamps - Accepts 50-100 watt metal halide or high pressure sodium lamps.

Ballast - Integral ballast for easy access and maintenance. 50W HID units standard with dual volt (120/277V) 60HZ ballast; 70W HID units standard with quad volt (120/208/240/277V) 60HZ ballast; 100W metal halide units available in 277V only and 100W high pressure sodium units available in 120V only.

Globes - Standard with clear glass globe. Available with clear heat-treated glass, prismatic glass, and prismatic polycarbonate globes. Colored heat-treated glass globe options available in red, blue, green, amber and opal. Colored polycarbonate globe options available in red, blue, green and amber.

Reflector - Impact resistant, prismatic clear polycarbonate reflector available. Colored reflector options also available (red, blue, green, and amber).

Guard - Glass reinforced polymer protects globe from impact. **Guard not available with polycarbonate globe.**

Mounting - Ceiling mount and wall mount units have four 3/4" threaded hubs with liquid tight knockouts. Pendant mount versions also available. See ordering information for orientation details.

Colors - Housing and guard standard in gray finish.

N-5610182F-1

ORDERING INFORMATION

----- OPTIONS -----

SERIES	MOUNT	TYPE/WATTAGE	VOLTAGE	GLOBES	GUARD/REFLECTOR
VPH	C	50MH	DV	GCL	G
VPH	C W P RC RW	50MH 70MH 100MH * 50HPS 70HPS 100HPS **	120 277 347 DV QV	GCL GPC GHC GHR GHB GHG GHA GHO PPC PPR PPB PPG PPA	G GCR 0

SERIES

VPH

MOUNTING

C = Ceiling

W = Wall

P = Pendant

RC= Retrofit Ceiling

RW= Retrofit Wall

NOT APPROVED FOR BASE-DOWN ORIENTATION

LAMP TYPE/WATTAGE

50MH *** = 50W Metal Halide (ED17; Med Base)

70MH *** = 70W Metal Halide (ED17; Med Base)

100MH *,*** = 100W Metal Halide (ED17; Med Base - available in 277V only)

50HPS = 50W High Pressure Sodium (ED17; Med Base)

70HPS = 70W High Pressure Sodium (ED17; Med Base)

100HPS **,*** = 100W High Pressure Sodium (ED17; Med Base - available in 120V only)

VOLTAGE (50W HID units standard with dual volt (120/277V) 60HZ ballast; 70W HID units standard with quad volt (120/208/240/277V) 60HZ ballast; 100W metal halide units available in 277V only and 100W high pressure sodium units available in 120V only)

120 = 120V (n/a on 100W MH units)

277 = 277V (n/a on 100W HPS units)

347 = 347V (for use in Canada)

DV = Dual Volt (120/277 Volt - 50W units only)

QV = Quad Volt (120/208/240/277 Volt - 70W units only)

GLOBES

GCL = Clear Glass

GPC = Clear Prismatic Glass

GHC = Clear Heat Treated Glass

GHR = Red Heat Treated Glass

GHB = Blue Heat Treated Glass

GHG = Green Heat Treated Glass

GHA = Amber Heat Treated Glass

GHO = Opal Heat Treated Glass

PPC = Clear Polycarbonate Prismatic

PPR = Red Polycarbonate Prismatic

PPB = Blue Polycarbonate Prismatic

PPG = Green Polycarbonate Prismatic

PPA = Amber Polycarbonate Prismatic

OPTIONS (factory installed)

GUARD/REFLECTOR

G = Guard Only (Standard)

GCR = Guard with Clear Reflector²

0 = No Guard/Reflector (Standard with Polycarbonate Globe)

GRR = Guard with Red Reflector²

GBR = Guard with Blue Reflector²

GGR = Guard with Green Reflector²

GAR = Guard with Amber Reflector²

Guard not available with polycarbonate globe

COMPLIANCES

UL1598 Suitable for Wet Locations (all mounting types)

UL1598-A Marine Outside Type (Saltwater)

(polycarbonate globes and reflector models excluded)



ACCESSORIES (field installed)

FUSING

LHR = Fuse Holder

LGR-10 = 10 amp, 300 Volt Fuse

LGR-1 = 1 amp, 300 Volt Fuse

LGR-3 = 3 amp, 300 Volt Fuse

ORDERING EXAMPLE: LHR/LGR-10 (Fuse Holder and 10 Amp Fuse). Not recommended for Marine or for Pendant Mount fixtures.

Notes

Lamps not included.

² Reflector not available with polycarbonate globe.

* 100W metal halide fixtures available in 277V only.

** 100W high pressure sodium fixtures available in 120V only.

*** Not available with polycarbonate prismatic globes

N-5610182F-1