

VP SERIES

42W CFL Vaporproof Fixture



42W Compact Fluorescent Wall Mount Shown

DESCRIPTION: The *VP Series* is a vaporproof fluorescent light designed for use in a wide-variety of industrial environments. Multiple mounting and other options are available. Typical applications include food processing areas, stairwells, elevator pits, pulp and paper processing areas, petro chemical, and waste water treatment plants.

SPECIFICATIONS

Housing - Engineering grade non-metallic, glass reinforced thermoplastic construction with marine-grade aluminum extrusion for protection against impact, high temperatures, chemical splash, and for corrosion resistance. Long-life silicone gaskets provide vaportight seal against outside elements.

Hardware - All external screws and inserts are made of corrosion resistant brass.

Grounding - Integral metal grounding frame delivers "hub-to-hub" grounding continuity.

Lamps - Accepts 42 watt compact fluorescent lamps.

Ballast - Integral universal ballast (120-277V; 50/60Hz) for easy access and maintenance.

Globes - Standard with clear glass globe. Available with clear heat-treated glass, prismatic glass, and prismatic polycarbonate globes. Colored heat-treated glass globe options available in red, blue, green, amber and opal. Colored polycarbonate globe options available in red, blue, green and amber.

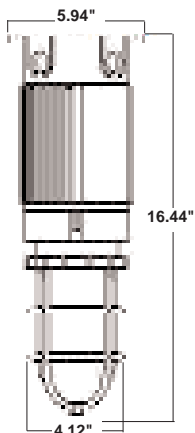
Reflector - Impact resistant, prismatic clear polycarbonate reflector available. Colored reflector options also available (red, blue, green, and amber).

Guard - Glass reinforced polymer protects globe from impact. **Guard not available with polycarbonate globe.**

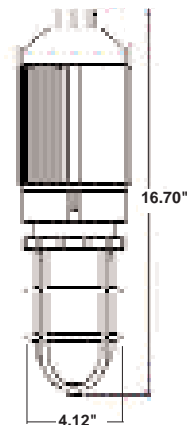
Mounting - Ceiling mount and wall mount units have four 3/4" threaded hubs with liquid tight knockouts. Pendant mount versions also available. See ordering information for orientation details.

Colors - Housing and guard standard in gray finish.

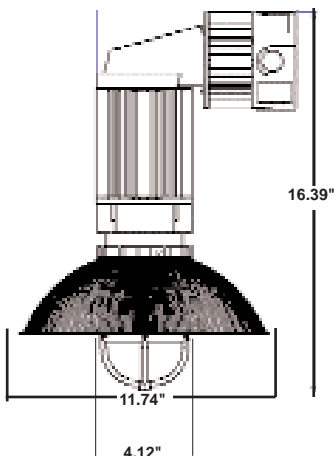
Ceiling Mount



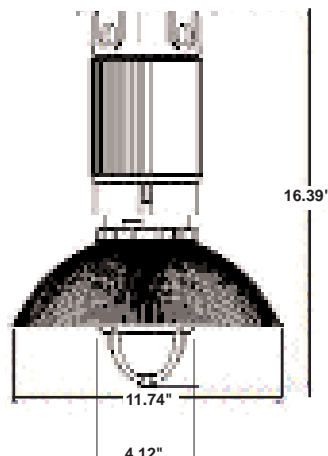
Pendant Mount



Wall Mount



Ceiling Mount With Reflector



N5610929B

PHOENIX[®]

ORDERING INFORMATION

----- OPTIONS -----

SERIES MOUNT WATT/TYPE VOLTAGE GLOBES GUARD/REFLECTOR

VP

VP

C

C
W
P
RC
RW

42CFL

42CFL

UNIV

UNIV

GCL

GCL
GPC
GHC
GHR
GHB
GHG
GHA
PPC
PPR
PPB
PPG
PPA

G

G
GCR
0

MOUNTING

C = Ceiling
W = Wall
P = Pendant
RC = Retrofit Ceiling
RW = Retrofit Wall

LAMP WATTAGE

42CFL = 42W CFL (triple tube; 4-pin base)

VOLTAGE

UNIV = Universal Voltage (120-277 Volt, 50/60 HZ)

GLOBES

GCL = Clear Glass
GPC = Clear Prismatic Glass
GHC = Clear Heat Treated Glass
GHR = Red Heat Treated Glass
GHB = Blue Heat Treated Glass
GHG = Green Heat Treated Glass
GHA = Amber Heat Treated Glass
GHO = Opal Heat Treated Glass
PPC = Clear Polycarbonate Prismatic
PPR = Red Polycarbonate Prismatic
PPB = Blue Polycarbonate Prismatic
PPG = Green Polycarbonate Prismatic
PPA = Amber Polycarbonate Prismatic

**NOT APPROVED
FOR BASE-DOWN
ORIENTATION**

OPTIONS (factory installed)

GUARD/REFLECTOR

G = Guard Only (Standard)
GCR = Guard with Clear Reflector²
0 = No Guard/Reflector (Standard with Polycarbonate Globe)
GRR = Guard with Red Reflector²
GBR = Guard with Blue Reflector²
GGR = Guard with Green Reflector²
GAR = Guard with Amber Reflector²

Guard not available with polycarbonate globe

ACCESSORIES (field installed)

FUSING

LHR = Fuse Holder
LGR-10 = 10 amp, 300 Volt Fuse
LGR-1 = 1 amp, 300 Volt Fuse
LGR-3 = 3 amp, 300 Volt Fuse

EXAMPLE: LHR/LGR-10 (Fuse Holder and 10 Amp Fuse) Not recommended for marine, applications or for pendant mount fixtures.

COMPLIANCES

UL1598 Suitable for Wet Locations (all mounting types)
UL1598-A Marine Outside Type (Saltwater)
(polycarbonate globes and reflector models excluded)

Notes

² Reflector not available with polycarbonate globe.



0707

PHOENIX®

PHOENIX®
Durability by Design

Milwaukee, WI USA • www.phoenixproducts.com