

VAPOR PROOF (VP) SERIES

Incandescent and Compact Fluorescent up to 32W
(For HID and 42W Compact Fluorescent VP models, see separate specification sheets)



Incandescent Ceiling Mount Shown



32W Compact Fluorescent Wall Mount Shown

DESCRIPTION: The *VP Series* is a nonmetallic, vaporproof light designed for use in a wide variety of industrial environments. Multiple mounting and other options are available. Typical applications include food processing areas, stairwells, elevator pits, pulp and paper processing areas, petro chemical, and waste water treatment plants. Some models meet UL1598A for Marine use, and UL844 for Class I, Division 2 Hazardous Location environments (See page 4).

SPECIFICATIONS

Housing: Engineering-grade nonmetallic, glass reinforced thermoplastic construction for protection against impact, high temperatures, chemical splash, and for corrosion resistance. The 32W unit has an additional marine-grade aluminum extension. Long-life silicone gaskets provide vaportight seal against outside elements.

Hardware: External screws and inserts are corrosion-resistant.

Grounding: Integral metal grounding frame delivers "hub-to-hub" grounding continuity.

Lamps: Accepts incandescent lamps up to 150W and compact fluorescent lamps from 9-32W. Lamps not included. (See VPH and 42W CFL for higher wattages).

Ballast: Integral ballast on fluorescent units for easy access and maintenance. Individual ballast type varies with specific lamp type and wattage.

Globes: Standard with clear glass globe. Available with clear heat-treated glass, prismatic glass and prismatic polycarbonate globes. Colored heat-treated glass globe options available in red, blue, green, amber and opal. Colored polycarbonate globe options available in red, blue, green and amber.

Reflector: Impact-resistant, clear, prismatic polycarbonate reflector available. Colored reflector options also available (red, blue, green and amber).

Guard: Glass reinforced polymer protects globe from impact. Standard in gray; guard color will match housing.

Guard not available with polycarbonate globe.

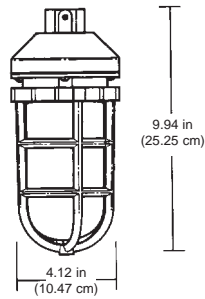
Mounting: Ceiling mount and wall mount units have four 3/4" threaded hubs with liquid tight knockouts. Pendant mount versions also available. See ordering information for orientation details.

Colors: Housing and guard standard in gray finish. Black, white, red, blue, green and yellow housing and guard options available. See ordering information for details.

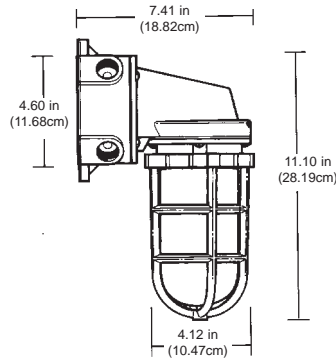
DIMENSIONS

Incandescent Models

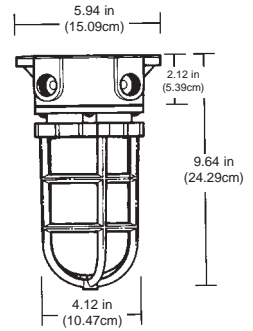
Pendant Mount



Wall Mount

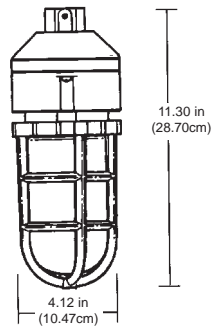


Ceiling Mount

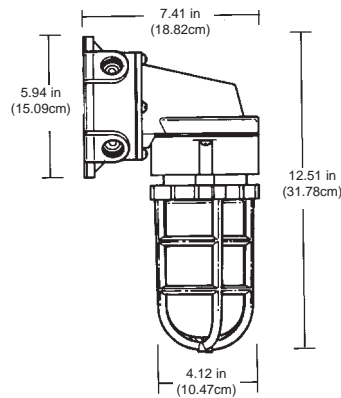


Compact Fluorescent Models (26W max.)

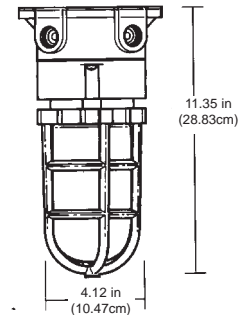
Pendant Mount



Wall Mount

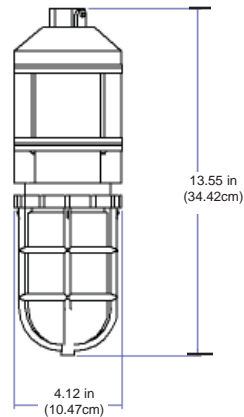


Ceiling Mount

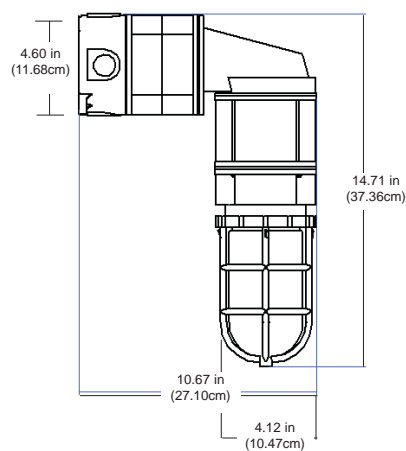


32 Watt Compact Fluorescent Models

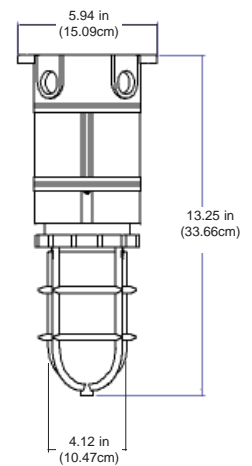
Pendant Mount



Wall Mount



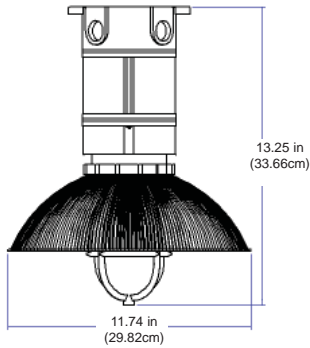
Ceiling Mount



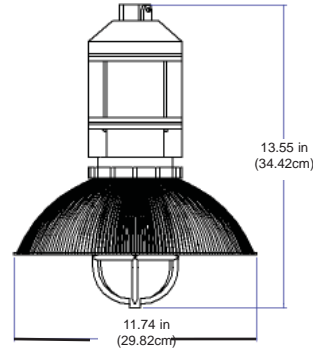
DIMENSIONS

Models with Polycarbonate Reflectors

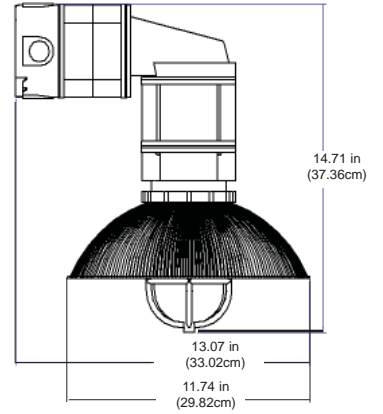
32W CFL Model with Reflector Ceiling Mount



32W CFL Model with Reflector Pendant Mount

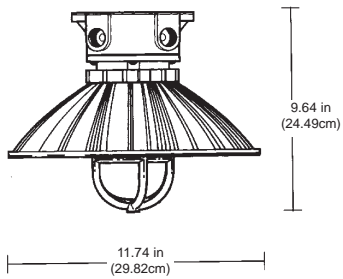


32W CFL Model with Reflector Wall Mount

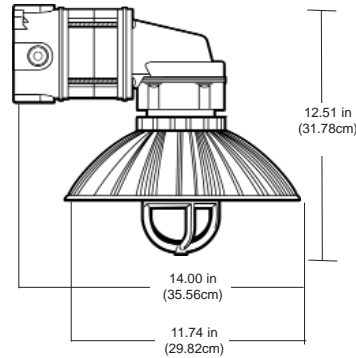


Models with Polycarbonate Reflectors

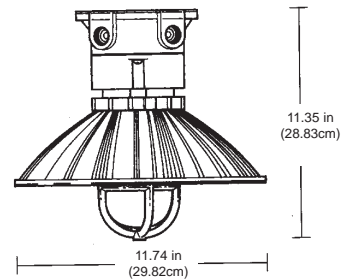
Incandescent Model with Reflector



CFL Wall Mount Model with Reflector

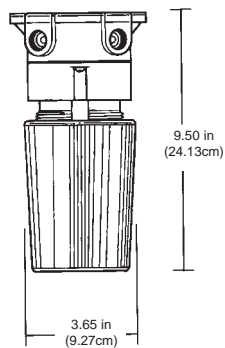


CFL Model with Reflector

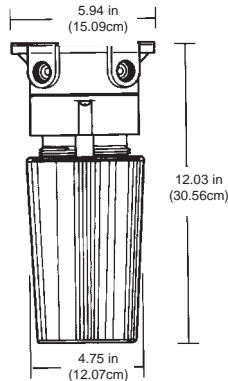


Models with Polycarbonate Globes (Compact Fluorescent Only 26W Maximum)

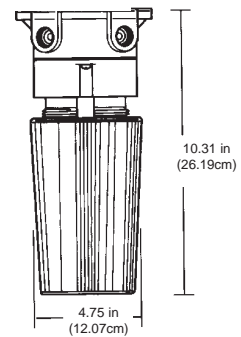
9-13W CFL Model with Polycarbonate Globe



18-26W CFL Models with Polycarbonate Globe



Incandescent Model with Polycarbonate Globe



ORDERING INFORMATION

Metal halide, high pressure sodium and 42 watt compact fluorescent VPs also available. See respective specification sheets for details.

SERIES	MOUNT	WATT/TYPE	VOLTAGE	GLOBES	GUARD/REFLECTOR	COLOR
VP	C	INC	120	GCL	G	BLK
VP	C W P RC RW	INC 09CFL *13CFL *18CFL *26CFL *32CFL	120 277	GCL GPC GHC GHR GHB GHG GHA GHO PPC PPR PPB PPG PPA	G GCR 0 GRR GBR GGR GAR	(Gray Standard) BLK WHT RED BLU GRN YEL

MOUNTING

C = Ceiling
W = Wall
P = Pendant
**RC = Retrofit Ceiling
**RW = Retrofit Wall
** Not available on 13W

LAMP WATTAGE

INC = Incandescent (150W Max.)⁴
09CFL = 9W CFL (dual tube; 2-pin base)
*13CFL = 13W CFL (quad tube; 4-pin base)
*18CFL = 18W CFL (triple tube; 4-pin base)
*26CFL = 26W CFL (triple tube; 4-pin base)
*32CFL = 32W CFL (triple tube; 4-pin base)⁵

*Electronic Ballast Standard

**NOT APPROVED FOR
BASE DOWN
ORIENTATION**

VOLTAGE

120 = 120 Volt, 60Hz
277 = 277 Volt, 60Hz

Lamping Information Lamps not Included

TYPE	LAMP
Incandescent	150W A21 Medium Base
9W CFL	CFQ9W/G23
13W CFL	CFQ13W/G24q or CFTR13W/GX24q
18W CFL	CFTR18W/GX24q
26W CFL	CFTR26W/GX24q
32W CFL	CFTR32W/GX24q

GUARD/REFLECTOR

G = Guard Only (Standard)¹
GCR = Guard with Clear Reflector¹
0 = No Guard/Reflector (Standard with Polycarbonate Globe)
GRR = Guard with Red Reflector¹
GBR = Guard with Blue Reflector¹
GGR = Guard with Green Reflector¹
GAR = Guard with Amber Reflector¹

Guard not available with polycarbonate globe

GLOBES

GCL = Clear Glass (150W Max.)
GPC = Clear Prismatic Glass (150W Max.)
GHC = Clear Heat Treated Glass (150W Max.)²
GHR = Red Heat Treated Glass (150W Max.)²
GHB = Blue Heat Treated Glass (75W Max.)²
GHG = Green Heat Treated Glass (100W Max.)²
GHA = Amber Heat Treated Glass (150W Max.)²
GHO = Opal Heat Treated Glass (75W Max.)²
PPC = Clear Polycarbonate Prismatic³
PPR = Red Polycarbonate Prismatic³
PPB = Blue Polycarbonate Prismatic³
PPG = Green Polycarbonate Prismatic³
PPA = Amber Polycarbonate Prismatic³

COLORS (Gray Standard)

BLK = Black
WHT = White
RED = Red
BLU = Blue
GRN = Green
YEL = Yellow

ACCESSORIES (field installed)

FUSING

LHR = Fuse Holder
LGR-10 = 10 amp, 300 Volt Fuse
LGR-1 = 1 amp, 300 Volt Fuse
LGR-3 = 3 amp, 300 Volt Fuse

EXAMPLE: LHR/LGR-10 (Fuse Holder and 10 Amp Fuse) Not recommended for marine, hazardous location applications, or for pendant mount fixtures.

NOTES

- Neither reflector or guard is available with polycarbonate globe. Fixtures supplied with reflector are not Class I, Div. 2 Listed, nor recommended for outdoor marine use. Fixtures with reflector are listed for Marine Inside Drip Proof rating.
- All fixtures ordered with heat-treated globes are Class I, Division 2 listed and come with the appropriate labeling. Incandescent/colored globe combination not available with hazardous rating. Clear designation denotes non-color.
- Incandescent Models 75W maximum with polycarbonate globes. Base-up operation only.
- Screw-in self-ballasted CFL lamps are not for use in incandescent fixtures.
- No UL 844- Class I, Division 2

COMPLIANCES

UL1598 Suitable for Wet Locations (all mounting types)

UL1598A Marine Outside Type (Saltwater)
(polycarbonate globes and reflector models excluded)

UL844 Class I, Division 2 (except 32CFL models)
(with heat-treated globe only)

Class 1, Zone 2, Group A, B, B+H2, C

United States Coast Guard Accepted



N-5610181K-4

PHOENIX®
Durability by Design

8711 West Port Avenue • Milwaukee, WI 53224 USA • Phone: 414.973.3300 • Fax: 414.973.3210

www.phoenixproducts.com