



### Applications

- Draglines
- Magnet Cranes
- Construction Sight Lighting
- Mining Shovels
- Heavy Moving Equipment
- Blast Hole Drills

### Phoenix Sample Specification — SRS 120 / 500A

Heavy-duty Sturdilite® floodlight. Available for use with heavy-duty "MS" (mine service) mogul screw base R-40 incandescent lamps in 500 watts (120 or 250 volts). Housing, bracket, and major components are made of heavy-gauge steel. Hardware is zinc-plated and chromate dipped. Thermoset, powder coated finish. Reinforced porcelain lamp socket. Multiplane lamp isolation diaphragm. Grounded, resilient mounting base. Dual axis mounting bracket. Government NSN #: 6220-01-225-6375.

**PHOENIX ... DURABILITY BY DESIGN**

### SPECIAL FEATURES

- Super-rough service fixture designed for demanding mining applications
- Swing-up lamp retainer face plate eases relamping; prevents lamps from loosening during rough service mining use
- "Instant-on" fixture provides an immediate light source
- Dual axis mounting bracket for aiming versatility
- Reinforced porcelain lamp socket reduces chance of lamp failure due to excessive shock

### DURABILITY

- Grounded resilient mounting base provides shock and vibration isolation
- Housing, bracket, and major components are made of heavy gauge steel to stand up to punishing mining environments
- Hardware is zinc plated and chromate-dipped for rust and corrosion prevention
- Multiplane "free-floating" lamp diaphragm permits cushioned lamp movement
- Heavy steel channel bracket supports housing and protects fixture during heavy duty service

### ACCESSORIES

- Wire Lens Guard

**ORDERING INFORMATION**

Model	Voltage	Wattage	Phoenix Part No.
SRS 120 / 500A	120	500	1001100

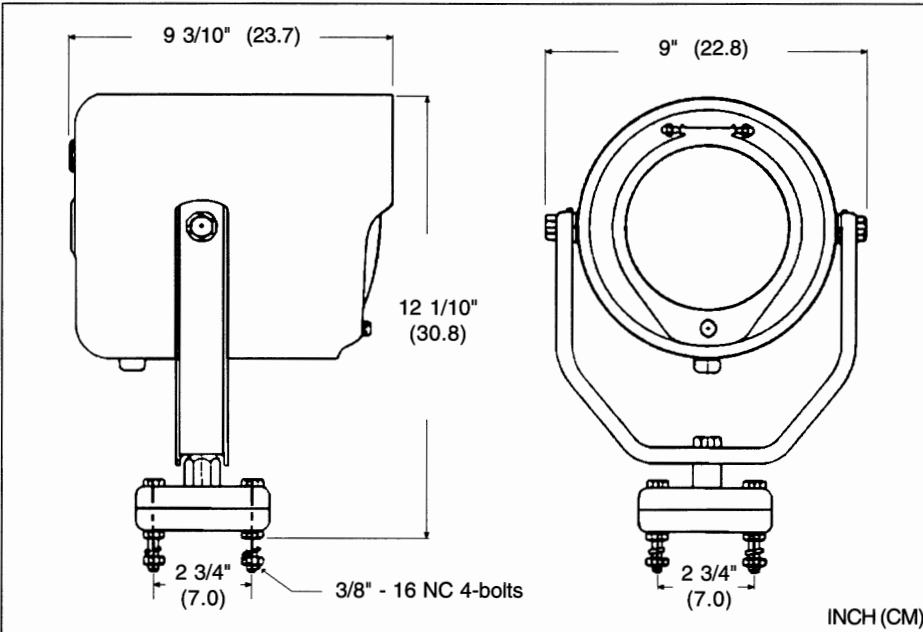
Government NSN # : 6220-01-225-6375

**Lamping Data:**

Mogul Screw Base Incandescent Lamps					NEMA	Max. Beam
When ordering lamps, reference Phoenix Part Numbers					Rating	Candlepower
Lamp Type	Beam Pattern	Volts	Watts	Phoenix Part No.	Photometric Data	
R - 40	Medium Flood	130	500	4201200	6 x 6	3,683
R - 40	Flood	250	500	4203800	6 x 6	3,800

**Accessories:**

Accessory	Phoenix Part No.
Wire Lens Guard, WG-7	1055500



**PHOENIX**

Phoenix Products Company, Inc  
 8711 West Port Avenue  
 Milwaukee, WI 53224 USA  
 Tel: 414/973-3300  
 Fax: 414-973-3210  
 www.phoenixproducts.com

**TECHNICAL DATA**

**Wiring:**

- 3 1/2 foot (1.10 m) long, 3 conductor heavy-duty SO cord

**Dimensions:**

- Width: 9" (22.9 cm)
- Height: 12 1/10" (30.7 cm)
- Depth: 9 3/10" (23.6 cm)

**Fixture Weight:** 12 lbs. (5.4 kg)

**Color:**

- Phoenix Green

**Photometric Data:**

Complete photometric information is available on all Phoenix fixtures on a 3.5" PC-compatible disk. Includes data in I.E.S.N.A. format and a unique data report generator, which draws candela curves.

Please contact our customer service department for a FREE disk for your unlimited use.

Phone: (414) 438-1200  
 Fax: (414) 438-0213

Type	Catalog Number
_____	_____
_____	_____
_____	_____