



Applications

- Blast Hole Drills
- Magnet Cranes
- Construction Sight Lighting
- Utility & Emergency Vehicles
- Mining Shovels
- Heavy Moving Equipment
- Wheel Buckets

Phoenix Sample Specification — SRS 115 / 150

Heavy-duty Sturdilite® floodlight. Available for use with medium side prong base PAR 38 type lamps in 100 or 150 watts (12, 32, 125 volts). Housing, bracket, and major components are constructed of heavy-gauge steel. All captive hardware is zinc-plated and chromate dipped. Finish is thermoset, powder-coated. Reinforced porcelain lamp socket. Dual axis mounting bracket. Grounded, resilient mounting base. Multiplane diaphragm lamp assembly. Government NSN#: 6230-00-991-8631.

PHOENIX ... DURABILITY BY DESIGN

SPECIAL FEATURES

- Shock and vibration resistant super-rough service fixture for heavy moving equipment
- Medium side prong socket holder prevents shorting out or loose connections
- Dual axis mounting bracket provides aiming versatility
- "Instant-on" fixture provides an immediate source of light
- Lamp retainer plate with captive hardware makes relamping easy
- Fixture accepts lamps from 12 to 125 volts for a variety of applications

DURABILITY

- Grounded resilient mounting base provides shock and vibration isolation
- Housing, bracket, and major components are made of heavy gauge steel to stand up to punishing environments
- Hardware is zinc plated and chromate-dipped for rust and corrosion prevention
- Reinforced porcelain socket reduces the chance of lamp failure due to excessive shock
- Multiplane, "free-floating" diaphragm assembly provides shock and vibration isolation
- Thermoset, powder-coated finish resists corrosion

ACCESSORIES

- Wire Lens Guard

ORDERING INFORMATION

Model (series - volts / watts)	Phoenix Part No.
SRS 115 / 150	1001000

Government NSN #: 6230-00-991-8631

Lamping Data:

PAR 38 Medium Side Prong Type Lamps		
When ordering lamps, reference Phoenix Part Numbers		
Lamp Type	Volts / Watts	Phoenix Part No.
Projector Flood	125 / 150	4201300
Projector Spot	32 / 150	4204900
Projector Flood	12 / 100	4203100

Accessories:

Accessory	Phoenix Part No.
Wire Lens Guard, WG-7	1055500

TECHNICAL DATA

Wiring:

- 3 1/2 foot (1.10 m) long, 3 conductor heavy-duty SO cord

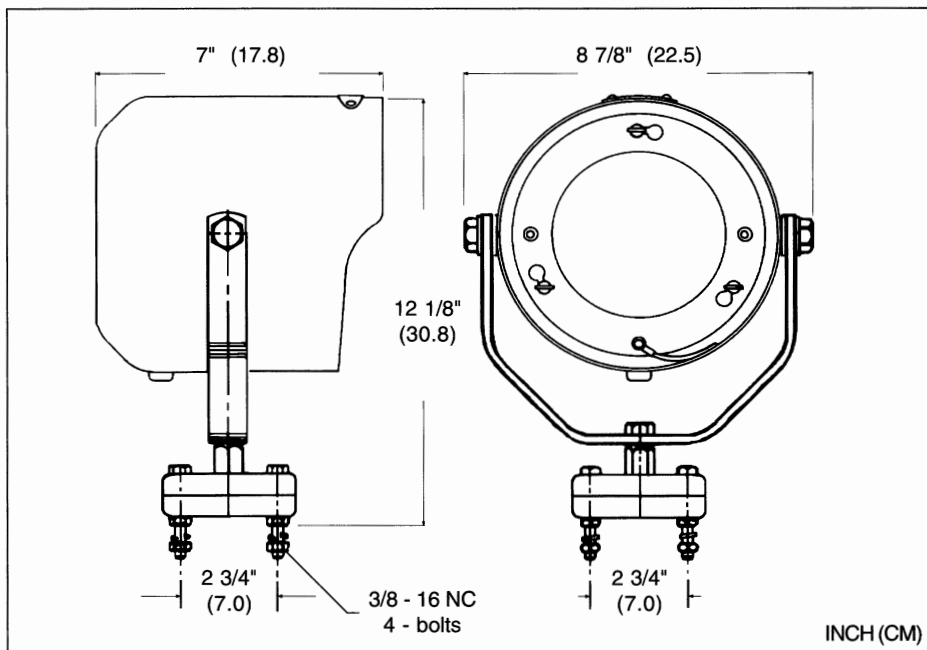
Dimensions:

- Width: 8 7/8" (22.5 cm)
- Height: 12 1/8" (30.8 cm)
- Depth: 7" (17.8 cm)

Fixture Weight: 9 lbs. (4.1 kg)

Color:

- Phoenix Green



Photometric Data:

Complete photometric information is available on all Phoenix fixtures on a 3.5" PC-compatible disk. Includes data in I.E.S.N.A. format and a unique data report generator, which draws candela curves.

Please contact our customer service department for a FREE disk for your unlimited use.

Phone: (414) 438-1200
 Fax: (414) 438-0213

Type	Catalog Number
_____	_____
_____	_____
_____	_____



Phoenix Products Company, Inc
 8711 West Port Avenue
 Milwaukee, WI 53224 USA
 Tel: 414/973-3300
 Fax: 414-973-3210
 www.phoenixproducts.com