

PHOENIX[®]

SRS 64 / 1000 STURDILITE[®] FLOODLIGHT



Model SRS 64 / 1000 shown

Applications

- Nuclear Power Plant Applications
- Mining Environments
- Wet Location Environments
- Heavy - Duty Cranes

Phoenix Sample Specification — SRS 64 / 1000

Heavy-duty Sturdilite[®] floodlight. Accepts PAR 64 sealed beam, extended mogul end prong halogen/incandescent type lamps available in 500 and 1000 watts at 120 volts. Housing, bracket, and door constructed of steel. Totally enclosed fixture with EPDM gasket. Tempered cover glass. Stainless steel hardware and snap clips. Thermoset powder-coated finish (E64/1000A-1 and CR64/1000A-1 have Phenoline 305 finish). Grounded resilient mounting base. Multiplane lamp isolation diaphragm (except E64/1000A-1). Hardware is zinc plated.

PHOENIX ... DURABILITY BY DESIGN

SPECIAL FEATURES

- All steel construction, versions with Phenoline 305 coating for caustic solution wash down in nuclear containment areas
- Heat reflector shield, located near socket, helps prevent excessive heat build-up
- High-temperature socket leads hold up in extreme heat
- Captive hardware and snap clips allow for easy relamping - without tools
- Dual axis mounting bracket for aiming versatility

DURABILITY

- Totally enclosed fixture with EPDM gasket, seals out moisture and prevents condensation build-up
- Multiplane, "free-floating" lamp diaphragm permits cushioned lamp movement (except E64/1000A-1 model)
- Grounded resilient mounting base provides shock and vibration isolation (SRS 64/1000 model only)
- Hardware is zinc plated for rust and corrosion prevention
- Tempered cover glass withstands severe thermal shock

OPTIONS

- Models available for use in nuclear power plant applications

ORDERING INFORMATION

| Model Number | Lamp Type | Fixture Wattage | Shock Mount Base | Phoenix Part No. |
|---------------------|-----------|-----------------|------------------|------------------|
| SRS 64 / 1000 | PAR 64 | 1000 | Yes | 1004800 |
| E 64 / 1000A - 1 * | PAR 64 | 1000 | No | 1002204 |
| CR 64 / 1000A - 1 * | PAR 64 | 1000 | No | 1003402 |

* Suitable for use in Nuclear Applications

TECHNICAL DATA

Wiring:

- 3 1/2' (1.0m) long, 3 conductor heavy-duty SO cord

Dimensions:

- Width: 13 1/2" (34.3 cm)
- Height: 20" (50.0 cm)
- Depth: 14 1/2" (36.8 cm)

Fixture Weight: 19 lbs. (8.6 kg)

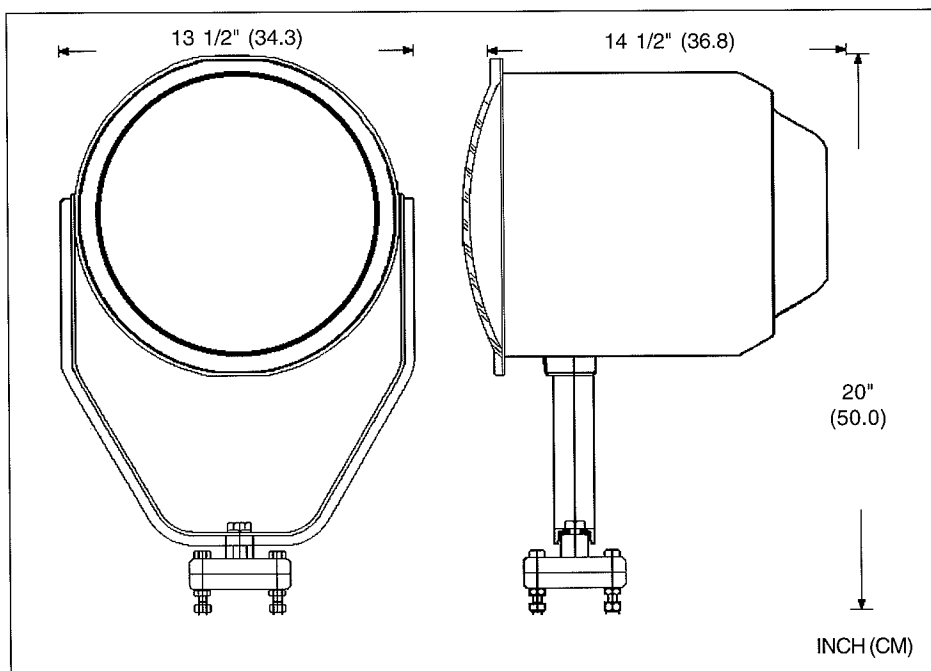
Color:

- SRS 64 / 1000: Phoenix Green
- E 64 / 1000 A - 1: Gray
- CR 64 / 1000 A - 1: Gray

Lamping Data:

| Extended Mogul End Prong PAR 64 Lamps | | | | NEMA Rating | Max. Beam Candlepower |
|---|------------------|-------|------------------|------------------|-----------------------|
| When ordering lamps, reference Phoenix Part Numbers | | | | | |
| Lamp Type | Beam Pattern | Watts | Phoenix Part No. | Photometric Data | |
| Halogen | Medium Flood | 1000 | 4207300 | 4 x 2 | 81,958 |
| | Wide Flood | 1000 | 4207500 | 5 x 3 | 37,576 |
| | Spot | 1000 | 4207600 | 3 x 1 | 165,145 |
| | Very Narrow Spot | 1000 | 4209100 | 2 x 1 | 450,000 |
| Incandescent | Medium Flood | 500 | 4207400 | 3 x 2 | 38,600 |
| Incandescent | Flood | 500 | 4207800 | 4 x 3 | 15,292 |

230 volt lamps should be sourced locally



Photometric Data:

Complete photometric information is available on all Phoenix fixtures on a 3.5" PC-compatible disk. Includes data in I.E.S.N.A. format and a unique data report generator, which draws candela curves.

Please contact our customer service department for a FREE disk for your unlimited use.

Phone: (414) 438-1200

Fax: (414) 438-0213

Type _____ Catalog Number _____

PHOENIX

Phoenix Products Company, Inc.
 6161 North 64th Street
 Milwaukee, WI 53218-1543 U.S.A.
 Phone: 414/438-1200 • Fax: 414/438-0213