

SLXP SERIES

EXPLOSION-PROOF PORTABLE FLOODLIGHT



DESCRIPTION: The *SLXP Series* fixture is hazardous location rated for Class 1 Division 1, Class 2 Division 1, Class 3 Division 1, and marine-rated for outside saltwater usage. An extensive lamp selection and integral ballast make this adjustable fixture extremely versatile. Typical applications include Gasoline Storage Tanks, Petroleum Refining Facilities, Paint and Chemical Storage areas, Tank Inspection and Cleaning, Grain Storage Facilities and Cargo Hold Areas.

SPECIFICATIONS

Construction: Shell, cover and sealed fittings are marine-grade cast aluminum. Support base, harp and handle bracket are marine-grade wrought aluminum. Threaded joints are lubricated with non-drying petrolatum to inhibit corrosion and prevent galling.

Finish: Yellow thermoset powder coat.

Lens: 3/4" thick tempered glass for heat and shock resistance.

Reflector: Specular aluminum for high efficiency light output.

Base, Harp, Handle: Base has three holes for flexibility to wall mount or suspend from cable to lower into a silo, tank or manhole. Sturdy hand knob permits easy aiming and tightening to maintain position.

Wiring: Supplied with 100' of 16/3 type SOW cord and factory sealed service entrance fitting (25' of cord length must be maintained by user). Plug to be supplied by user, to be sized to accept cord and be suitable for appropriate hazardous environment.

Gaskets: Elastomer seals for cover and lens prevent moisture and dust from entering.

OPTIONS

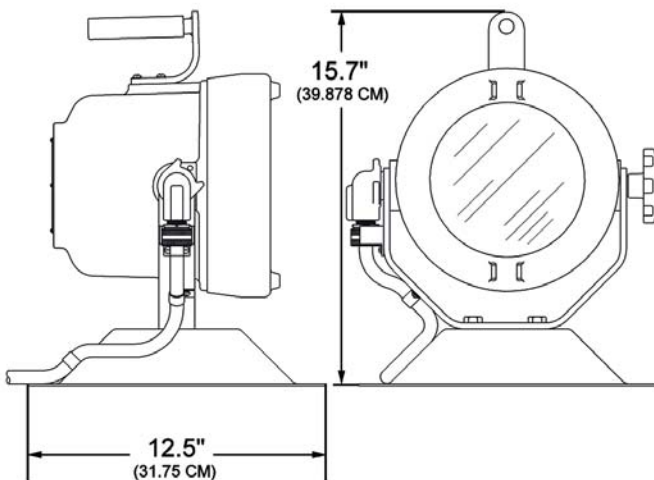
- Grain Dust Models available
(Prohibits aiming fixture in upright position)

COMPLIANCES

UL Listed 1598A - Marine Electric fixture Outside Type Saltwater

UL Listed 781- Portable Electric Lighting Units for Hazardous locations Class 1 Div. 1 Groups C & D, Class 2 Div. 1 and Class 3 Div. 1 (See Configuration Classifications, page 2, for specific rated groups and temperature ratings.)

CSA certified - Enclosure type 4, Hazardous location Class 1 Div. 2 Groups C & D



Weight: 16-19 lbs.
7.26-8.6 kgs

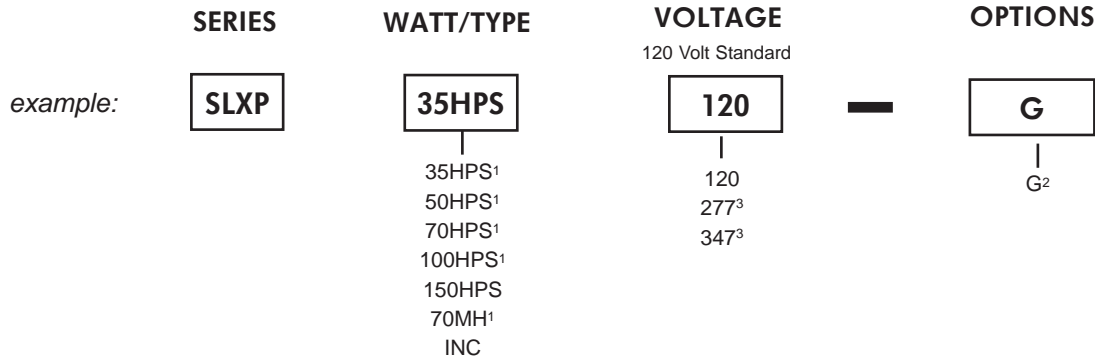


PHOENIX®

PHOENIX®
Durability by Design

8711 West Port Avenue • Milwaukee, WI 53224 USA • Phone: 414.973.3300 Fax: 414.973.3210
www.phoenixproducts.com

ORDERING INFORMATION



WATT/TYPE

35HPS¹ = 35 watt High Pressure Sodium
 50HPS¹ = 50 watt High Pressure Sodium
 70HPS¹ = 70 watt High Pressure sodium
 100HPS¹ = 100 watt High Pressure Sodium
 150HPS = 150 watt High Pressure Sodium
 70MH^{1,4} = 70 watt Metal Halide
 INC = Incandescent 150 watt to 250 watt max.

VOLTAGE

120 = 120 Volt 60Hz
 277 = 277 Volt 60Hz³
 347 = 347 Volt 60Hz³

OPTIONS

G² = Grain Model

NOTES

- ¹ Grain model fixture for use in Class 2 Group G or Class 3-add letter "G" to designation. These fixtures have restricted aiming positions of less than 30° above horizontal for 35, 50 and 70W fixtures and horizontal or below for 100W fixtures.
- ² Grain rating only available for 35W-100W HPS and 70W MH models.
- ³ Available on metal halide (MH) fixtures only

LAMPING DATA

LAMPS NOT INCLUDED

| Recommended Lamps | | | |
|-------------------------------------|-------------|-------|-----------------|
| Lamp Type | Description | Watts | Phoenix P/N |
| Metal Halide (DE ⁴ , T6) | Clear | 70 | 4220012 |
| High Pressure Sodium (E17) | Clear | 35 | 4220095 |
| | | 50 | 4211300 |
| | | 70 | 4212600 |
| | | 100 | 4212700 |
| | | 150 | 4212800 |
| | Coated | 50 | Contact Factory |
| | | 70 | |
| | | 100 | |
| Incandescent (R30) | Clear | 110 | 4212900 |
| | | 150 | 4201100 |

⁴DE = Double Ended

CONFIGURATION CLASSIFICATIONS

| Phoenix Model Number | Lamp Wattage | Class 1 Division 1 | | Class 2 Division 1 | | Class 3 |
|----------------------|--------------|--------------------|------------|--------------------|-------|-------------------|
| | | Max Temp Code F/C | Group | Max Temp Code F/C | Group | Max Temp Code F/C |
| SLXP35 | HPS-35 | T4A 248/120 | C & D | T3 392/200 | F | — |
| SLXP50 | HPS-50 | | | | | |
| SLXP70 | HPS-70 | | | | | |
| SLXP100 | HPS-100 | | | | | |
| SLXP150 | HPS-150 | T3C 320/160 | | — | — | |
| SLXP35G | HPS-35 | T4A 248/120 | | T3C 320/160 | F & G | T3C 320/160 |
| SLXP50G | HPS-50 | | | | | |
| SLXP70G | HPS-70 | | | | | |
| SLXP100G | HPS-100 | | | | | |
| SLXP INC | INC-110 | T3A 356/180 | | T3 392/200 | F | — |
| SLXP INC | INC-150 | | | | | |
| SLXP70MH | MH-70 | T4 275/135 | T3 392/200 | F | — | |
| SLXP70MH-277 | | | | | | |
| SLXP70MH-347 | | | | | | |
| SLXP70MHG | | | | | | |
| SLXP70MHG-277 | | | | | | |
| SLXP70MHG-347 | | | | | | T4 275/135 |

N5610022F

PHOENIX[®]

Durability by Design

8711 West Port Avenue • Milwaukee, WI 53224 USA • Phone: 414.973.3300 Fax: 414.973.3210

www.phoenixproducts.com