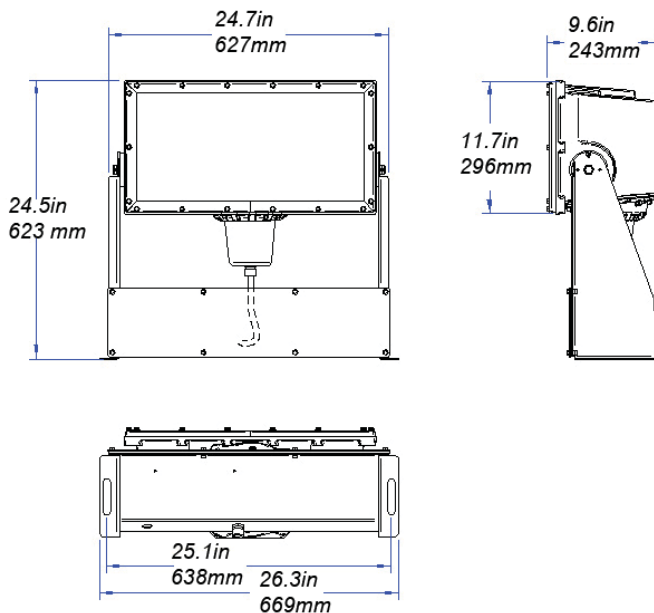


# KL SERIES

## HEAVY-DUTY FLOODLIGHT



Weight: 81 lbs. (38 kg.)  
EPA: 4.04 sq. ft.

**DESCRIPTION:** The *KL Series* is a quality high-intensity discharge floodlight suitable for use in a wide variety of industrial applications. Featuring four reflector options and a choice of HID lamps, the KL is ideal for use in industrial yards, port and shipping yards, or other rough service applications.

### SPECIFICATIONS

**HOUSING:** Seamless marine-grade, low-copper content aluminum alloy housing provides excellent corrosion resistance. The KL series thermoset, powder-coated finish comes standard in Phoenix Gray.

**LENS:** Heat and impact resistant, 7/32" thick heavy-duty tempered glass withstands thermal shock and impact.

**HARDWARE:** Hardware on fixture light head is stainless steel. Hardware on harp and ballast housing is zinc plated.

**AIMING:** Degree indicator and sighting enable easy daytime aiming.

**GASKETS:** High temperature silicone and EPDM gaskets provide a positive seal against dirt and moisture.

**SOCKET:** Socket assembly removes for easy lamp access and seals against dirt and moisture.

**BALLAST:** 100% factory tested, high power factor ballast. Easily accessible through front door panel, no need to enter lamp chamber for ballast maintenance.

**REFLECTOR:** Available in narrow, wide, very narrow, and very wide beam patterns.

**OPTICAL ASSEMBLY:** High temperature silicone gasket and low-copper content aluminum alloy lens frame provide a positively sealed optical assembly.

### ACCESSORIES

- Stainless steel wire guard (ICWG-400)
- Glare Visor (V-400-085)
- Safety Cable (SFCB) - Connects mounting harp to structure.
- Lamp Stabilizer (LS)

### COMPLIANCES

**UL Listed 1598** Suitable for outside wet location  
Suitable for mounting within 4 feet of the ground



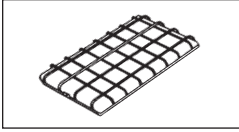
**UL Listed 844** Class I, Division 2 Groups A, B, C, D  
Temperature Code "T1"  
Maximum Ambient temperature 40° C  
(Certain configurations only - See Page 2)



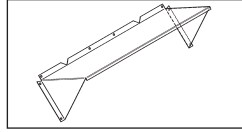
**PHOENIX®**

## ACCESSORIES

(Order Separately)



Stainless Steel Wire  
Lens Guard  
(ICWG-400)



Glare Visor  
(V-400-085)

## LAMPING DATA

Description	Wattage	Lamp Type
High Pressure Sodium	250	E-18
	400	E-18
	1000	BT-37
Pulse Start/ Metal Halide	250	BT-28
	400	BT-37
	1000	BT-37

## ORDERING INFORMATION

Example	SERIES	WATT	OPTICS	VOLTAGE	OPTIONS
	KL	400HPS	A	QV	SFCB
	 KL	 250HPS <sup>1</sup> 400HPS 1000HPS 250PSMH <sup>1</sup> 400PSMH <sup>1</sup> 400MH <sup>1</sup>	 A B C <sup>2</sup> D	 QV (STANDARD) 347V <sup>1</sup> 480V 220V/50HZ <sup>1</sup>	 SFCB LS <sup>3</sup>

### WATTAGE/TYPE

250HPS = 250 watt High Pressure Sodium (E-18)  
 250PSMH = 250 watt Pulse Start Metal Halide (BT-28)  
 400PSMH = 400 watt Pulse Start Metal Halide (BT-37)  
 400HPS = 400 watt High Pressure Sodium (E-18)  
 400MH = 400 watt Metal Halide/Mercury Vapor (BT-28)  
 1000HPS = 1000 watt High Pressure Sodium (ED-37)

### OPTICS

A = Narrow  
 B = Wide  
 C = Very Narrow  
 D = Very Wide

### VOLTAGE

QV = Quad volt (120,208,240,277)  
 347V = 347 volt  
 480V = 480 volt  
 220V/50HZ = 220 volt, 50 hertz

### OPTIONS

SFCB = Safety Cable  
 LS = Lamp Stabilizer

### NOTES

1. Not listed for Hazardous Locations
2. C - Optic models in 1000W not listed for Hazardous Locations
3. LS option required for Hazardous Listing

## SAMPLE SPECIFICATION

Heavy-duty general application floodlight. Configured to accept either High Pressure Sodium E-18 (250 watt), High Pressure Sodium BT-37 (up to 1000W), Metal Halide ED-37 (up to 1000W) or Mercury Vapor BT-37 lamps (up to 400W). **Die-cast marine grade low-copper content aluminum alloy housing with thermoset polyester powder-coat finish.** Gasketed socket assembly is removable for access to lamp from below. Silicone gasket and aluminum lens frame seal the optical assembly. <sup>7/32"</sup> **tempered glass lens.** Optical systems include narrow, wide, very narrow or very wide beam pattern.

Meets **UL standard 1598** suitable for Wet Location.

N5610429F

**PHOENIX®**