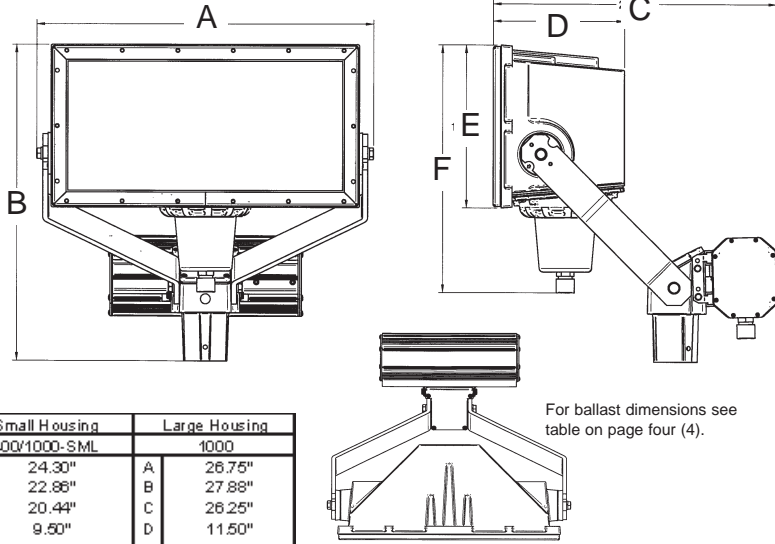


PHOENIX[®]

IC SERIES

GENERAL APPLICATION FLOODLIGHT



For ballast dimensions see table on page four (4).

	Small Housing 400/1000-SML	Large Housing 1000
A	24.30"	26.75"
B	22.86"	27.88"
C	20.44"	26.25"
D	9.50"	11.50"
E	11.75"	15.75"
F	17.86"	20.00"



DESCRIPTION: The *IC Series* is a heavy-duty general application floodlight with four reflector options and a choice of HID lamps. Its flexibility makes it the perfect fixture for various work and play areas including athletic fields, industrial yards, construction sites and parking lots.

SPECIFICATIONS

FIXTURE

- **HOUSING:** Die-cast housing is made from marine-grade low-copper content aluminum alloy for excellent corrosion resistance.
- **FINISH:** Gray polyester powder coat finish is electrostatically applied and oven-cured to ensure consistent, complete coverage and maximum durability.
- **AIMING:** Degree indicator and cast-in sighting feature enables daytime aiming. Arms can be positioned in 4 distinct positions as appropriate to installation.
- **REFLECTOR:** Machine-formed aluminum reflector ensures consistency. Available in narrow, wide, very narrow and very wide beam patterns.
- **OPTICAL ASSEMBLY:** High temperature silicone gasket and copper-free aluminum lens frame provide a positively sealed optical assembly.
- **LENS:** 7/32" heavy-duty tempered glass lens withstands thermal shock and impact.
- **SOCKET:** Gasketed socket assembly is pre-wired to ballast and removable for easy lamp access from below.
- **LAMP STABILIZER:** Support ring holds glass end of lamp firmly in place to protect against breakage or photometric misalignment due to vibration or impact.
- **HARP:** 1/4" thick steel with polyester powder coat finish.
- **SLIPFITTER:** Die-cast copper-free aluminum slipfitter with polyester powder coat finish serves as a splice box and ballast mount. Slipfits over 2-3/8" OD tenon.
- **HARDWARE:** All external hardware is stainless steel for superior corrosion resistance.

5-YEAR LIMITED WARRANTY

5-year limited warranty against defects in material and workmanship. See Standard Terms and Conditions for details.

BALLAST

- **HOUSING:** Copper-free extruded aluminum housing resists corrosion and conducts heat away from vital components.
- **FINISH:** Gray polyester powder coat finish resists corrosion and dissipates heat.
- **COMPONENTS:** High power factor constant wattage autotransformer type ballast. Core makes contact with housing on three sides to allow heat transmittance for extended ballast life.
- **GASKETING:** End caps are gasketed to seal out moisture.

OPTIONS

- **HAZARDOUS LOCATION (HAZ)**
- **PHOTOCELL (PC)**
- **STAND-BY (SB)**

ORDERING INFORMATION

example: **SERIES** **WATT/TYPE** **OPTICS** **VOLTAGE** **OPTIONS**
 (QV Standard) (Gray Standard)

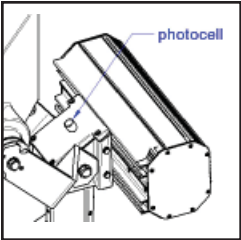
IC **400HPS** **A** **QV**

IC
 200HPS
 250HPS
 400HPS
 1000HPS
 250PSMH
 400PSMH
 1000MH
 1000MH-SML*

A
 B
 C
 D

480V
 220/50H

BLK
 HAZ
 PC
 PCR
 SB



Photocell accessory

WATTAGE/TYPE

200HPS = 200W High Pressure Sodium
 250HPS = 250W High Pressure Sodium
 400HPS = 400W High Pressure Sodium
 1000HPS = 1000W HPS
 250PSMH = 250W Pulse Start Metal Halide
 400PSMH = 400W Pulse Start Metal Halide
 1000MH = 1000W Metal Halide
 1000MH-SML* = 1000W Metal Halide
 (Small housing, utilizes reduced jacket MH lamp)

OPTICS

A = Narrow
 B = Wide
 C = Very Narrow
 (not available on 1000W-SML)
 D = Very Wide

VOLTAGE (QV Standard)

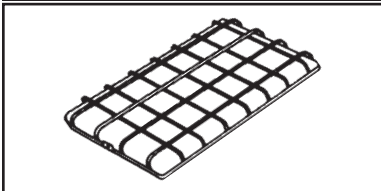
QV = (120,208,240,277 volt)
 480V = 480 Volts
 220/50H = 50 Hz (not UL or CSA listed)
 (not available with HAZ option)
 (not available on 200W)

OPTIONS

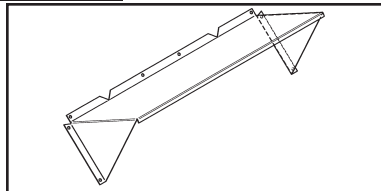
BLK = Black Finish
 HAZ = Hazardous
 PC** = Photocell (button type)
 (not available on 480V)
 (400W max. if HAZ rated)
 PCR = Photocell Receptacle
 SB = Stand-By
 (not available with HAZ option)

ACCESSORIES

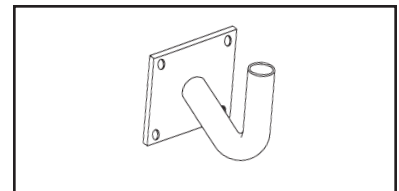
(Order Separately)



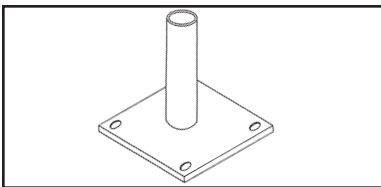
Stainless Steel Wire Lens Guard *
 ICWG-400 (400w and 1000w-SML)
 ICWG-1000 (1000w)



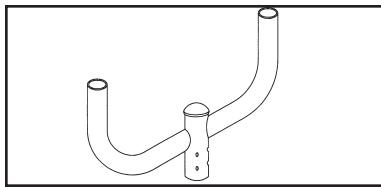
Glare Visor ***
 V400-GRY (Gray finish)
 V1000-GRY (Gray finish)



Wall Mount (WM)
 2-3/8" tenon, 8-1/2" projection



Flat Base Mount (FBM)
 2-3/8" tenon, 6" tall



Bullhorn Tenon Mount (BTM)
 Adjacent tenon spacing: 36"

For Mounts and Visor:

Standard color is Gray. For other colors add the appropriate color suffix to the order code.

BLK = Black

Example: BTM-BLK

COMPLIANCES

UL LISTED

1598 - Suitable for Wet Location
 - IP65 Rating for dust and liquid resistance.
 - Suitable for mounting within 4' of ground
 1598a - Marine/Electric Fixture/Outside Type (saltwater)
 - Meets ULCG Marine Specs
 844 - Class I, Division 2 / Groups A,B,C,D
 (Suitable for wet location)
 (must use -HAZ option)

cUL LISTED

US Coast Guard Accepted



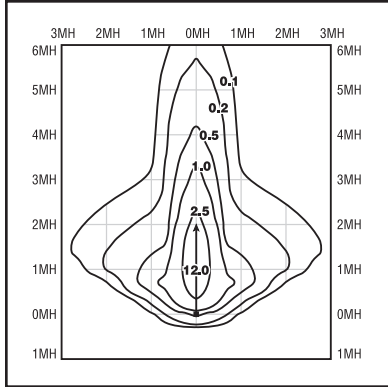
* Cannot use with Glare Visor

** Photocell kit includes IC mast fitter cover and photocell.

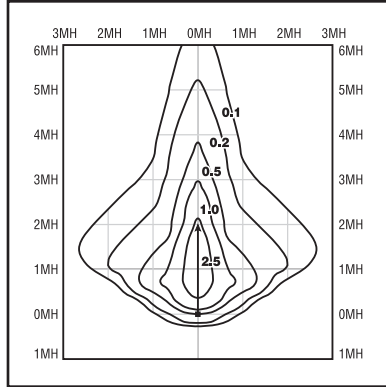
*** Cannot use with Wire Lens Guard (ICWG-400)

PHOTOMETRICS

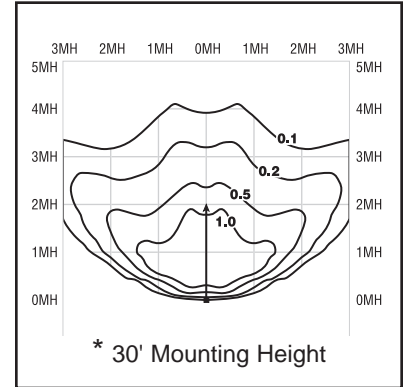
Note: Fixtures aimed at 2X mounting height
 Note: Fixtures at a 40' mounting height unless otherwise specified*



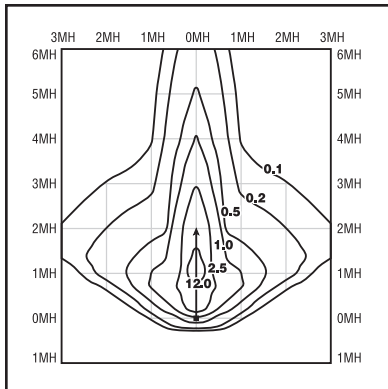
IC400MHA



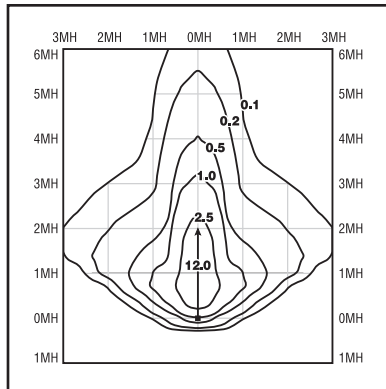
IC400MHB



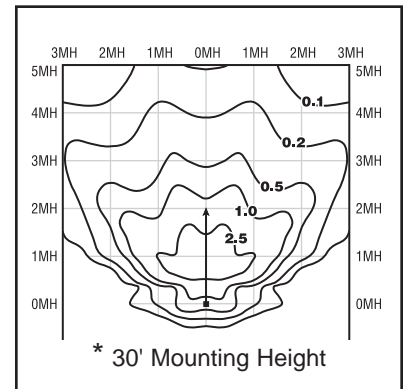
IC400MHD



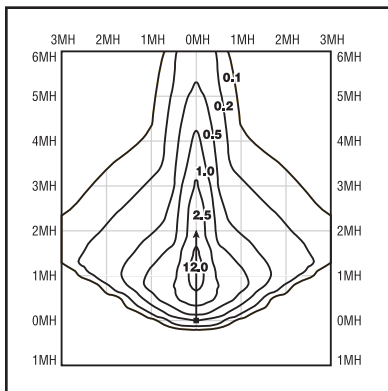
IC400HPSA



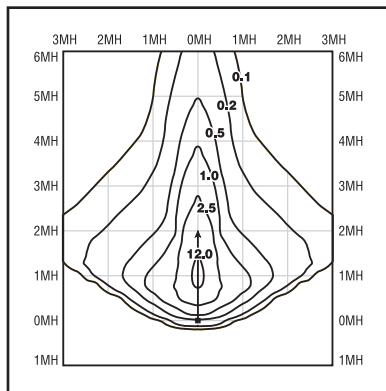
IC400HPSB



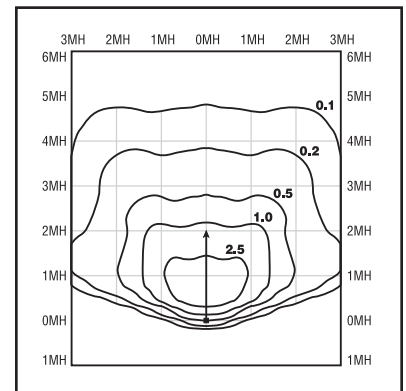
IC400HPSD



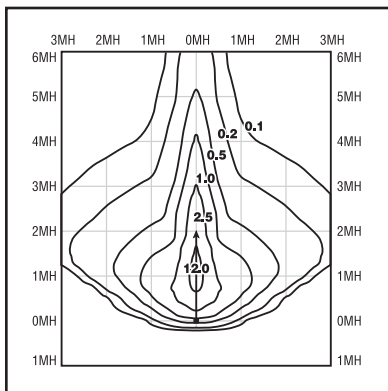
IC1000MHA
Large Housing



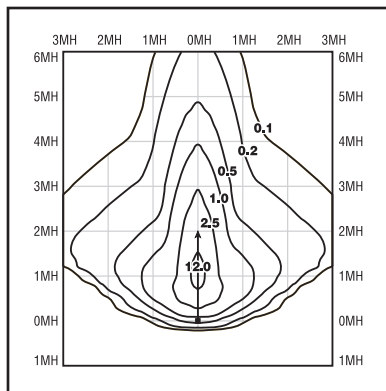
IC1000MHB
Large Housing



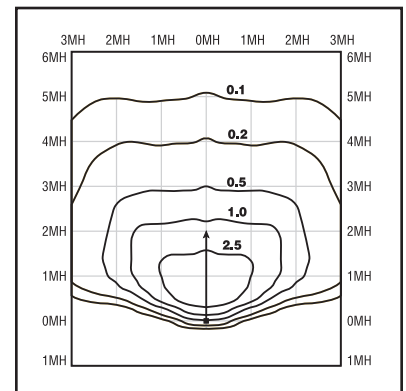
IC1000MHD
Large Housing



IC1000HPSA
Large Housing



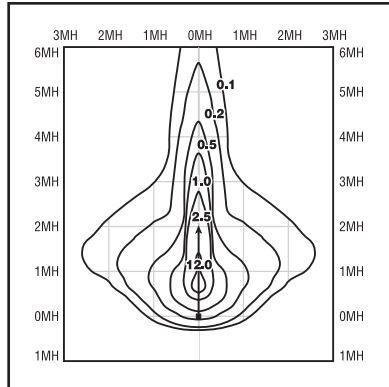
IC1000HPSB
Large Housing



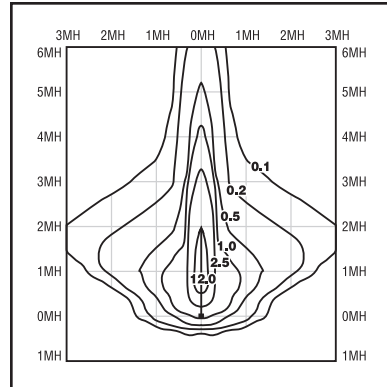
IC1000HPSD
Large Housing

PHOTOMETRICS

Note: 40' mounting height. Fixtures aimed at 2X mounting height.



IC400MHC



IC400HPSC

LAMPING DATA

DESCRIPTION	WATTS	LAMP TYPE	PART #
High Pressure Sodium	200	E-18	4211500
	250	E-18	4209300
	400	E-18	4208500
	1000	E-25	4209000
Pulse Start Metal Halide	250	BT-28	
	400	BT-37	4211420
Metal Halide	1000-SML	BT-37	4220010
	1000	BT-56 (clear)	4209600

"T" RATINGS

Temperature Table		
Fixture Type	Maximum Internal Operating Temp (C)	"T" Rating
IC250PSMH	TBD	TBD
IC400PSMH	350C	T1
IC400HPS	450C	T1
IC1000MH-SML	390C	T1
IC1000M	350C	T1
IC1000HPS	450C	T1

IC SERIES SAMPLE SPECIFICATION

Heavy-duty general application floodlight. Configured to accept either High Pressure Sodium ED-18 (up to 400W), High Pressure Sodium E-25 (1000W), Pulse Start Metal Halide BT-28 or BT-37 (up to 400W), Metal halide BT-37 or BT-56 (1000W). **Die-cast copper-free aluminum housing with thermoset polyester powder-coat finish.** Slipfitter with polyester powder-coat finish serves as a splice box and ballast mount; Support arms are 1/4" thick polyester coated steel. Gasketed socket assembly is removable for access to lamp from below. **Stabilizing ring** supports glass end of lamp. Silicone gasket and aluminum lens frame seal the optical assembly. **7/32" tempered glass lens. Stainless Steel exterior hardware.** Optical systems include narrow, wide, very narrow or very wide beam pattern.

Ships complete with weather-proof, external, high power factor, constant wattage autotransformer type ballast in extruded aluminum housing.

Meets **UL standard 1598** Marine Fixture Outside Type (saltwater). "HAZ" option meets **UL Standard 844** for Hazardous Location Class I, Division 2. cUL certified and rated IP65.

OPTICS

Photometric Data (NEMA Rating/Max. Candlepower)

A	B	C	D
3x5/33,503	6x5/18,364	1x4/66,063	6x4/11,285
3x5/47,905	6x5/25,041	1x4/82,578	6x5/14,106
3x5/83,222	6x5/42,229	1x5/138,824	6x5/25,761
6x5/128,668	6x6/90,093	1x5/481,468	6x5/156,988
3x5/29,287	6x5/23,757	2x5/49,939	7x5/9,393
3x5/45,832	6x5/37,178	2x5/78,151	7x5/14,700
2x4/174,237	4x5/128,661	-----	7x6/35,126
6x5/115,182	6x6/77,788	2x5/264,862	6x5/19,642

WEIGHTS AND DIMENSIONS

Ballast Dimensions			
Fixture	Length	Width	Height
250PSMH	TBD	TBD	TBD
400*/1000-SML	14.32"	2.25"	5.62"
1000	16"	5.58"	5.57"

Fixture Weight	400*/1000-SML	1000W
	75 lbs.	90 lbs.
Max EPA	400*/1000-SML	1000W
	2.72 sq.	2.98 Sq.

N5610319E