

PHOENIX

MS 500 Q / QH QUARTZ HALOGEN FLOODLIGHT



MS 500 QH model shown

Applications

- Salt Water Environments
- Architectural Wall Washing
- Fishing Boats
- Helicopter Landing Pads

Phoenix Sample Specification — MS 500 Q / QH SERIES

Outdoor quartz/halogen floodlight. Accepts 4 11/16" recessed single contact lamps up to a maximum of 240 volts and a maximum of 500 watts. UL Listed. Meets Standard 595 - Marine Outside Type (Saltwater). Meets Standard 1571 - Suitable for Wet Locations. U.S. Coast Guard Accepted. Completely sealed EPDM gasketed copper-free aluminum housing with heat dissipation fins and thermoset powder-coated finish. Copper-free aluminum hinged door with stainless steel fasteners. High purity anodized aluminum reflector. Heat resistant porcelain sockets with silver plated contacts. Sockets adjustable to provide three different beam patterns. Tempered cover glass lens. Interlock cut-off switch. Mounting: MS 500QH - copper-free aluminum bracket (included). MS 500Q - copper-free aluminum mast fitter mount for 1 1/4" pipe or cast copper-free aluminum swivel nipple for 3/4" conduit. For Q models, order brackets separately to ensure a complete installation.

PHOENIX ... DURABILITY BY DESIGN

SPECIAL FEATURES

- UL 595 listed floodlight tough enough for the most demanding environments
- Heat-resistant porcelain sockets are adjustable to provide three distinct beam patterns
- Instant-on fixture provides an immediate light source
- Rugged construction; extruded and plated copper-free aluminum with captive stainless steel hardware for long life and easy maintenance
- Three mounting variations for flexible installation
- Interlock cut-off switch for added safety during relamping

DURABILITY

- Marine copper-free aluminum housing has heat dissipation fins for cooler operation
- Thermoset powder-coated finish provides added protection against weather and corrosion
- Stainless steel fasteners resist harsh weather elements for superior durability and extended life
- Tempered glass lens cover with molded, EPDM gasketing resists heat and shock

ACCESSORIES

- Mast Fitter Kit
- Swivel Nipple Kit
- Wing Nut Conversion Kit
- Shock Mount (QH models only)

ORDERING INFORMATION

Model	Phoenix Part No.
MS 500 Q*	1016400
MS 500 QH	1016500

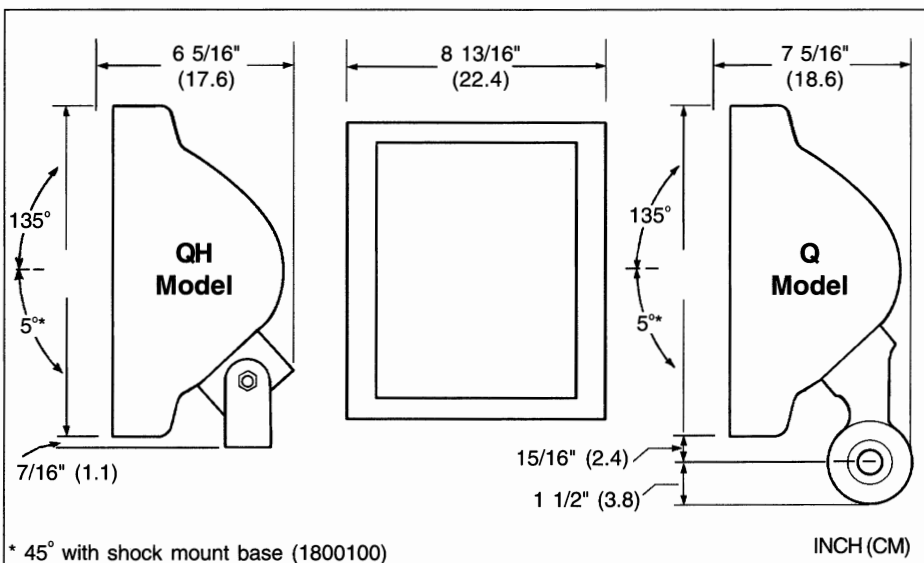
* MS 500Q requires a mast fitter or swivel nipple mounting kit (shown below). Order separately for a complete installation.

Lamping Data:

Tubular Quartz/Halogen Recessed Single Contact Lamps		
When ordering lamps, reference Phoenix Part Numbers		
Lamp Type	Watts	Phoenix Part No.
Quartz Halogen (24v)	250	4220027
Quartz Halogen (120v)	500	4220014
Quartz Halogen (240v)	500 max.	procure locally

Accessories:

Accessory	Phoenix Part No.
Mast Fitter Kit (1 1/4" pipe)	1083600
Swivel Nipple Kit (3/4" conduit)	1083700
Wing Nut Kit (replaces slot head screws)	1086101
Shock Mount Base (QH model only)	1800100



PHOENIX

Phoenix Products Company, Inc
 8711 West Port Avenue
 Milwaukee, WI 53224 USA
 Tel: 414/973-3300
 Fax: 414-973-3210
www.phoenixproducts.com

TECHNICAL DATA

Dimensions:

- Width: 8 13/16" (22.4 cm)
- Height: 11 7/16" (29.1 cm)
- Depth: MS 500 Q Model
- 7 5/16" (18.6 cm)
- Depth: MS 500 QH Model
- 6 15/16" (17.6 cm)

Fixture Weight: 7 lbs. (3.2 kg)

Color:

- White

Photometric Data:

Complete photometric information is available on all Phoenix fixtures on a 3.5" PC-compatible disk. Includes data in I.E.S.N.A. format and a unique data report generator, which draws candela curves.

Please contact our customer service department for a FREE disk for your unlimited use.

Phone: (414) 438-1200

Fax: (414) 438-0213

COMPLIANCES



UL 595 Listed: Marine Outside Type (Saltwater)

UL 1571 Listed: Suitable for Wet Locations

U.S. Coast Guard Accepted

Type	Catalog Number
_____	_____
_____	_____
_____	_____