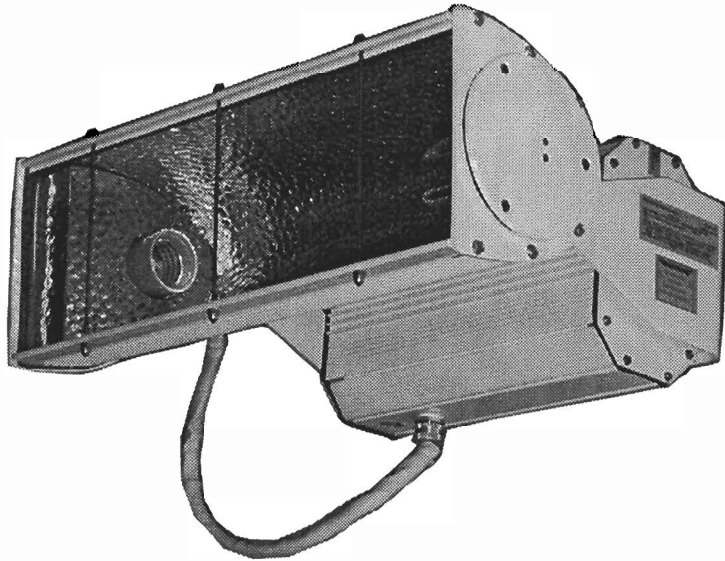


MSR SERIES

MARINE-RATED HID FLOODLIGHT



DESCRIPTION: The *MSR Series* floodlight is an ideal fixture for marine applications where corrosion-resistant, ultra-low copper content aluminum construction and durability are demanded.

SPECIFICATIONS

HOUSINGS: Heavy-wall, low copper content, ribbed extruded aluminum housings for greater strength and corrosion resistance.

HARDWARE: All external hardware is stainless steel for superior corrosion resistance.

SOCKET: Lamp grip socket keeps lamp firmly in place, prolonging lamp life.

LENS: Tempered glass lens to resist heat and thermal shock.

GASKET: Silicone gasket for watertight seal.

DOOR ASSEMBLY: Captive, side-entry door allows for easy access to lamp chamber.

REFLECTOR: Hammer-tone aluminum reflector provides a powerful efficient beam spread. Bat-wing pattern provides a uniform distribution of light over a wide area.

FINISH: Thermoset, powder-coated finish resists corrosion.

BALLAST: Marine rated external ballast extends electrical component life by reducing operating temperature.

MOUNTING: Versatile mounting options include tenon mount, plate mount, and surface mount. (See back page for mounting options)

COMPLIANCES

UL Listed- Standard 1598A
Marine Outside Type (Saltwater)



Indoor/Outdoor
Enclosure Type 4

Meets US Coast Guard Requirements

PHOENIX®

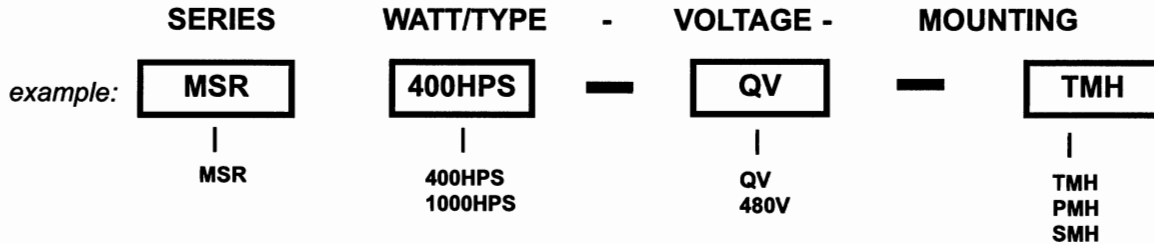
PHOENIX®
Durability by Design

8711 West Port Avenue • Milwaukee, WI 53224 USA • Phone: 414. 973. 3300 Fax: 414. 973. 3210
www.phoenixproducts.com

PHOTOMETRICS

Visit our website for complete photometric information
www.phoenixproducts.com

ORDERING INFORMATION



WATT/TYPE (lamp NOT included)

400HPS = 400 watt High Pressure Sodium (ET-18)
 1000HPS = 1000 watt High Pressure Sodium (ET-25)

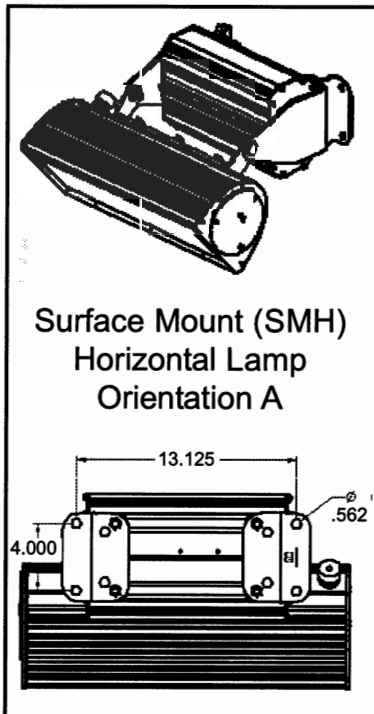
VOLTAGE OPTIONS

QV = 120, 208, 240, 277V
 480V = 480 Volt

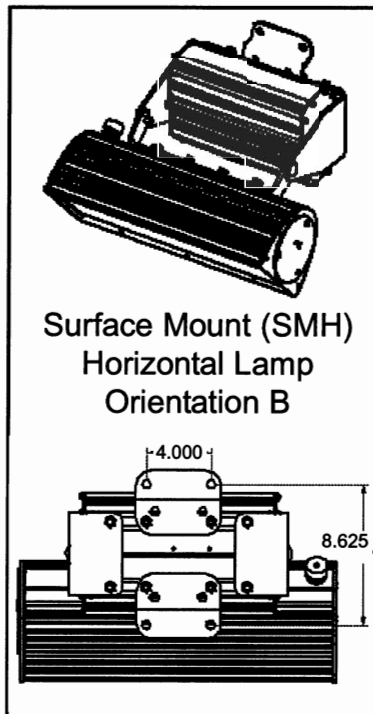
MOUNTING OPTIONS

TMH = Tenon Mount - Horizontal Lamp
 PMH = Plate Mount - Horizontal Lamp
 SMH = Surface Mount - Horizontal Lamp

MOUNTING OPTIONS



Surface Mount (SMH)
Horizontal Lamp
Orientation A



Surface Mount (SMH)
Horizontal Lamp
Orientation B

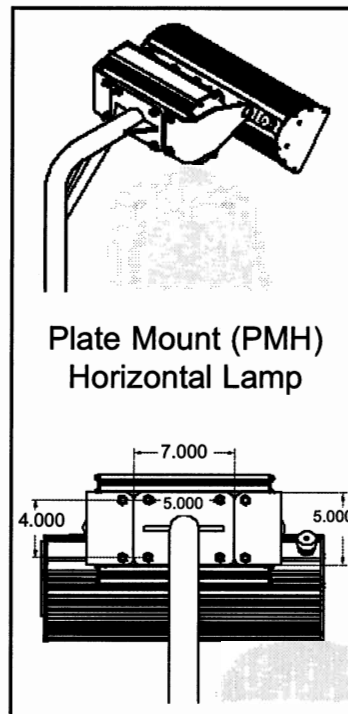
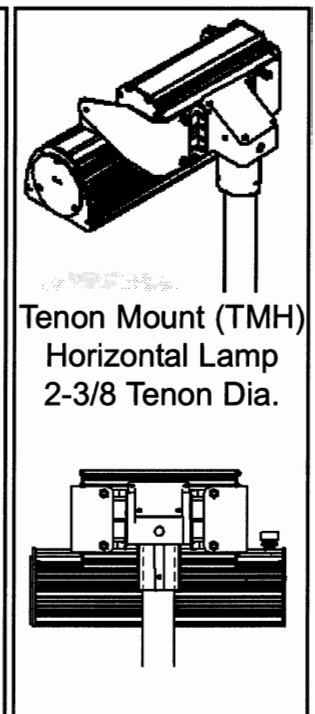


Plate Mount (PMH)
Horizontal Lamp



Tenon Mount (TMH)
Horizontal Lamp
2-3/8 Tenon Dia.