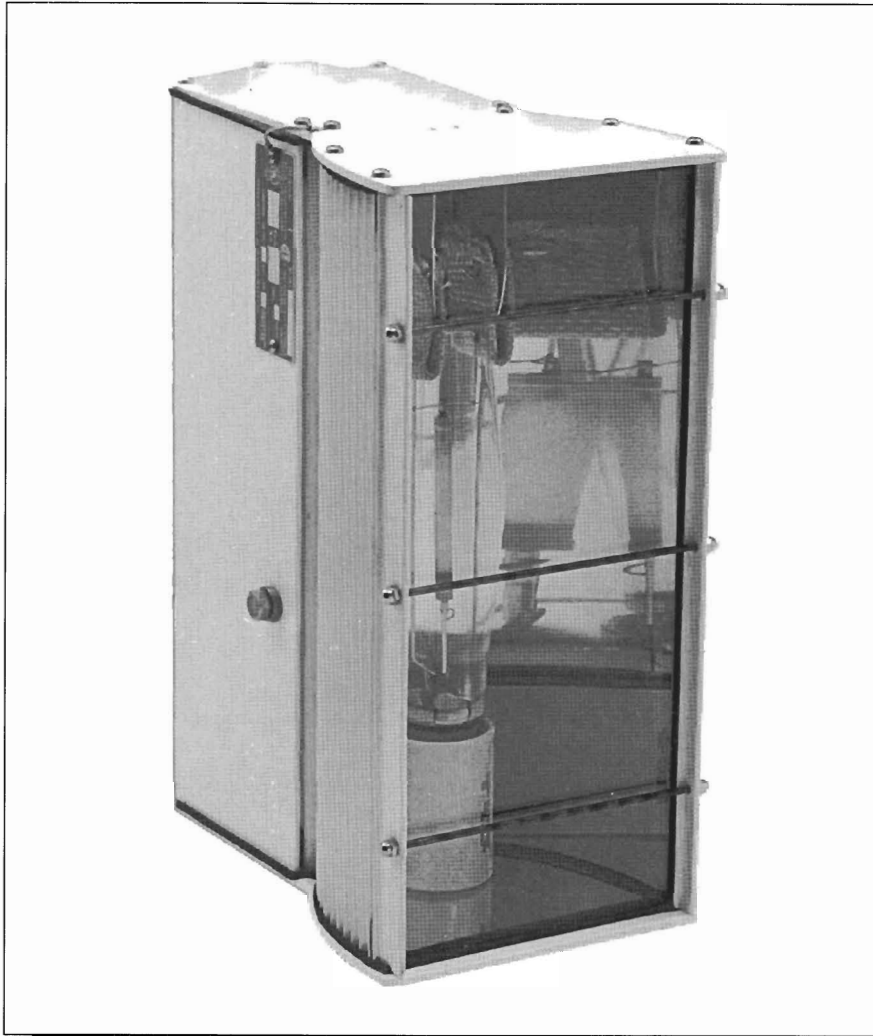


PHOENIX[®]

MSD QUAD VOLT HEAVY - DUTY FLOODLIGHT



Applications

- Architectural Wall Washing
- Fishing Boats
- Marine / Industrial / Architectural Environments
- General Deck Lighting
- Cargo Hold Areas

Phoenix Sample Specification — MSD QUAD VOLT

Heavy-duty floodlight. Accepts E-18 type, 200, 250, or 400 watt high pressure sodium; 250 and 400 watt metal halide mogul-screw base E-18 type lamps (depending on fixture model). Bat-wing beam pattern. UL Listed. Meets Standard 595 Marine Electric Fixture, Outside Type. U.S. Coast Guard Accepted. Also meets Standard 1572 Outside Wet Location Type (Non-Marine). CSA Certified - Type 4 (all models). 200 and 250 watt models UL 844 Listed (limited to aiming 15° or more above vertical). Electric Fixture for Hazardous Locations - Class I, Division 2. Copper-free aluminum housing. Thermoset powder-coated finish. Copper-free aluminum mounting bracket (not included -- order separately). Stainless steel exterior hardware. EPDM gasket. Tempered glass cover lens.

PHOENIX ... DURABILITY BY DESIGN

SPECIAL FEATURES

- UL 844 Listed:
 - Class I, Div. 2, Groups A,B,C,D
 - UL 595: Marine Fixture / Outside
 - UL 1572: Outside Wet Location
 - CSA Certified: Type 4
- Heavy-duty, corrosion resistant design handles the toughest duty
- Precision specular aluminum reflector provides efficient bat-wing beam pattern for uniform light distribution over a wide area
- Fixture is integrally ballasted for easy maintenance
- Dual axis bracket positioning allows you to put light exactly where you need it
- Tempered glass lens stands up to heat and shock

DURABILITY

- Copper-free aluminum, heavy-wall, ribbed extruded housing for greater strength
- Thermoset powder-coated finish resists corrosion
- Stainless steel hardware stands up to tough environments
- Cover glass EPDM gasket seals out dirt and moisture
- Lamp grip socket resists shock and vibration, and keeps lamp firmly in place - prolonging lamp life

OPTIONS

- Mounting Brackets:
 - (Order separately for complete installation)
 - Horizontal Mounting Kit
 - Vertical Mounting Kit

MSD QUAD VOLT HEAVY - DUTY FLOODLIGHT

ORDERING INFORMATION

High Pressure Sodium Models:

Model	Watts	Lamp Type	Volts	Phoenix Part No.
MSD 200HPS - 480V	200	High Pressure Sodium	480	1014508
MSD 200HPS - QV	200		120, 208, 240, 277	1014507
MSD 250HPS - 480V	250		480	1014506
MSD 250HPS - QV	250		120, 208, 240, 277	1014505
MSD 400HPS - 347V	400		347	1014512
MSD 400HPS - 480V			480	1014502
MSD 400HPS - QV		120, 208, 240, 277	1014501	

Metal Halide Models:

Model	Watts	Lamp Type	Volts	Phoenix Part No.
MSD 250MH - 480V	250	Metal Halide	480	1014510
MSD 250MH - QV	250		120, 208, 240, 277	1014509
MSD 400MH - 347V	400		347	1014511
MSD 400MH - 480V			480	1014504
MSD 400MH - QV			120, 208, 240, 277	1014503

Fixtures also available in 230v/50Hz --- consult factory for more information.

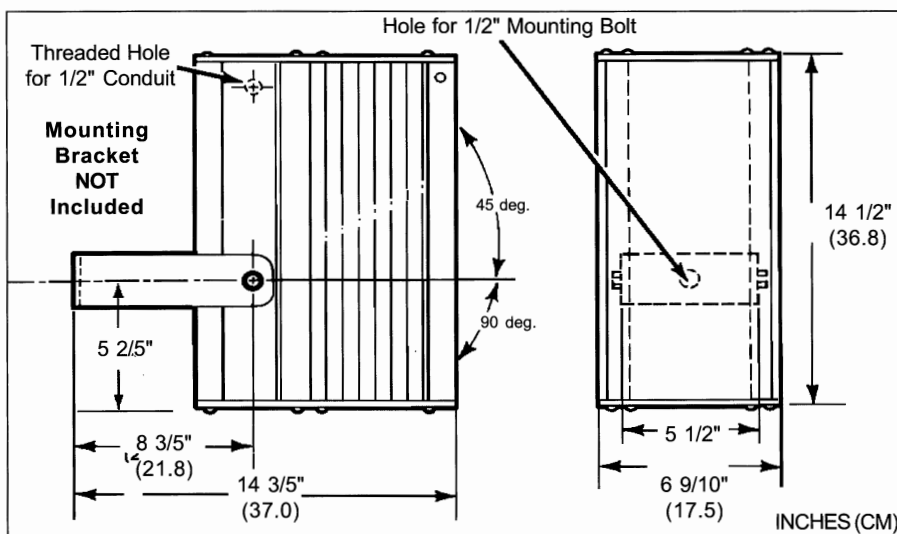
Accessories:

Accessory	Phoenix Part No.
Horizontal Mounting Bracket Kit	1090310
Vertical Mounting Bracket Kit	1090311

Mounting kits are NOT included with fixtures. To ensure a complete installation, order one mounting kit for each fixture

Lamping Data:

Recommended Lamps				NEMA Rating	Max. Beam Candlepower
When ordering lamps, reference Phoenix Part Numbers					
Lamp Type	Watts	Phoenix Part No.	Lamp Type	Photometric Data	
High	200	4211500	E - 18	5 x 6	13,403
Pressure	250	4209300		5 x 6	17,379
Sodium	400	4208500		5 x 6	31,799
Metal	400	4211400		5 x 7	17,303
Halide	250	4220011		contact factory	



TECHNICAL DATA

Wiring:

- 1/2" NPSI tapped hole provided for connections in compliance with Class I, Division 2 methods defined in the NEC.

Dimensions:

Width: 6 9/10" (17.5 cm)
 Height: 14 1/2" (36.8 cm)
 Depth: 14 2/3" (37.0 cm)

Fixture Weight:

25 - 33 lbs.
 (11.2 - 15.0 kg.)

Color:

- White

COMPLIANCES



UL 595 Listed:

Marine Type Electric Fixture / Outside Type

UL 844 Listed:

Hazardous Location
 Class I, Division 2 / Groups A, B, C, & D
 (40° max ambient temperature)
 (200 & 250 watt HPS models only)
 (minimum 15° above vertical)

UL 1572 Listed:

Outside Wet Location

U.S. Coast Guard Accepted



CSA Certified - Type 4

NRTL - UL 1572 Wet Location
 NRTL - UL 595 Outside Type
 (Salt water)

Phoenix Model No.	Class I Division 2		Max. Ambient Temp. F/C
	Max.Temp. Code F/C	Group	
MSD 200HPS - 480V	T1 842/450	A, B, C, D	104/40
MSD 200HPS - QV	T1 842/450	A, B, C, D	104/40
MSD 250HPS - 480V	T1 842/450	A, B, C, D	104/40
MSD 250HPS - QV	T1 842/450	A, B, C, D	104/40

Type

Catalog Number

N-5493900D

PHOENIX

Phoenix Products Company, Inc
 8711 West Port Avenue
 Milwaukee, WI 53224 USA
 Tel: 414/973-3300
 Fax: 414-973-3210
 www.phoenixproducts.com