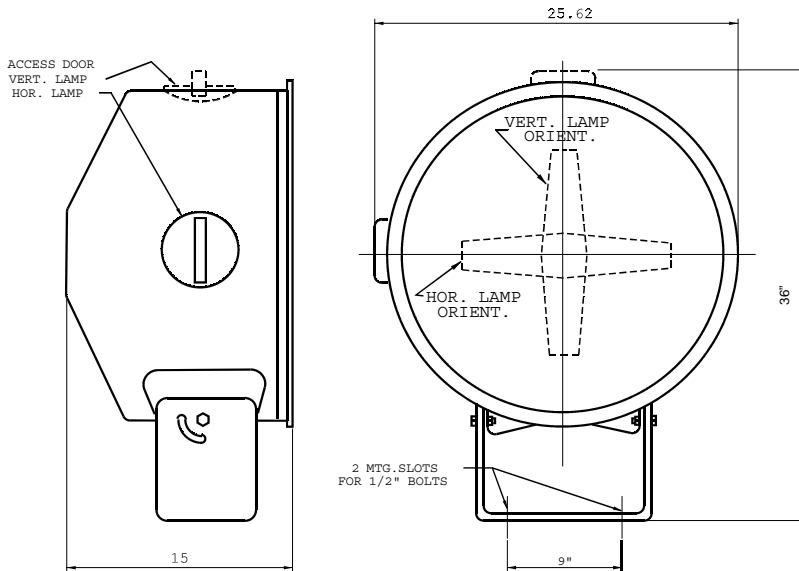


# MS 120/1500LBM LONG BEAM FLOODLIGHT

*For Crab Boats, Fishing Boats, Fish Processing Vessels*



**General:** The Long Beam is a heavy-duty high intensity discharge marine floodlight/searchlight. It uses mogul screw base high pressure sodium (400 or 1000 watt) or metal halide (400, 1000 or 1500 watt) lamps. The cushioned, precision mirror reflector provides a precise, controlled beam with almost two million center beam candlepower. Horizontal or vertical beam distributions are available. Remote ballast required.

**Housing:** One piece heavy-gauge marine grade anodized aluminum housing and mounting bracket with powder coat finish. Sacrificial element included to prevent corrosion. All components are positively grounded to sacrificial element to ensure complete protection. Element is positioned for ease of inspection and replacement. All exterior fasteners are marine-grade stainless steel.

**Reflector:** Cushioned precision searchlight-type mirror reflector provides precise, controlled beam with very high candela. Horizontal lamp configurations include internal louver for glare control.

**Lens:** Tempered, heavy-duty cover lens withstands both thermal and mechanical shock.

**Lamps:** Mogul screw base high pressure sodium (400 or 1000 watt) or metal halide (400, 1000, or 1500 watt) lamps. Lamp not included.

**Ballast:** Remote ballast required, order separately.

**Finish:** All parts are anodized before painting. Powder coating is a marine grade, high impact, US Navy submarine use approved material. Standard color: exterior painted white, interior black. For custom colors please contact factory.

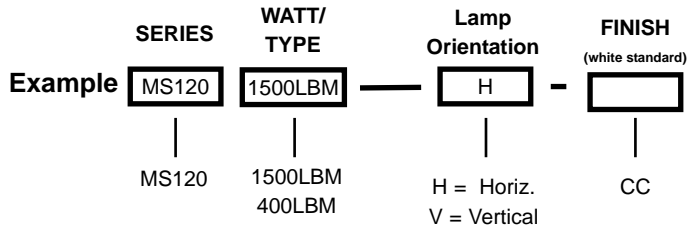
**Gaskets:** High temperature silicone gaskets seal out dirt and moisture, prolong reflector life and efficiency.

**Mounting Bracket:** Provides for vertical and horizontal aiming adjustment. Non-conductive shock absorbing isolation pad included to increase vibration resistance and improve galvanic corrosion resistance.

**Wiring:** Splice box with NPSI tapped hole for 1/2" conduit. Supply wire must be at least 14 ga., 600 volt, suitable for 105°C.

**Listings:**  
UL 1598A Listed, Marine Outside Type (Saltwater)

# ORDERING INFORMATION



## Lamp Wattage/Type

1500LBM = 1500/1000w MH(BT56) or 1000w HPS(E25)

Mogul Base

400LBM = 400w MH (BD/ET37) or 400w HPS (ED/ET18)

Mogul Base

## Lamp Orientation

H = Horizontal Lamp (standard, includes internal louver)

V = Vertical Lamp

## Finish

White standard w/ black interior

CC = Custom Color

# REMOTE BALLASTS



(annodized finish standard)

Fixture Type	Order
400W Metal Halide	BLSTA400MHQV*
1000W Metal Halide	BLSTA1000MHQV*
1500W Metal Halide	BLSTA1500MHQV*
400W High Pressure Sodium	BLSTA400HPSQV*
1000W High Pressure Sodium	BLSTA1000HPSQV*

\* QV = Quad Voltage (120, 208, 240, 277)

480V available contact factory

# ACCESSORIES