

PHOENIX

MRS 64 / 1000 SUPER - ROUGH SERVICE FLOODLIGHT



Applications

- Wet Location Floodlighting
- Industrial Areas
- Above - Deck Marine Lighting
- Railroad Yards

Phoenix Sample Specification — MRS 64 / 1000

Super-rough-service, halogen/incandescent floodlight. Accepts PAR 64, 1000 watt halogen and 500 watt incandescent, 120 volt sealed-beam extended mogul end prong lamps. UL Listed. Meets Standard 595 - Marine Fixture Outside Type (Saltwater). Meets Standard 1571 - Electric Fixture Suitable for Wet Locations. CSA Certified - Indoor/Outdoor Enclosure Type 4X. U.S. Coast Guard Accepted. Copper-free, cast-aluminum housing, door, and mounting bracket. Thermoset, powder-coated finish. Hinged access door, captive hardware. Multiplane lamp isolation diaphragm. Stainless steel exterior hardware. EPDM rubber gasket. Heat resistant, tempered cover lens.

PHOENIX ... DURABILITY BY DESIGN

SPECIAL FEATURES

- Super-rough service fixture can withstand abusive shock and vibration environments
- UL 595 Listed; Marine Fixture Outside Type (Saltwater)
- UL 1571 Listed; Suitable for Wet Locations
- Versions of this fixture have passed MIL-S-901C shock and MIL-STD-167-1 vibration tests
- Dual axis positioning allows you to aim light exactly where it is needed
- Hinged door with captive hardware makes relamping and maintenance easy - no tools required

DURABILITY

- Copper-free cast aluminum mounting bracket, housing, and door protect fixture from corrosion and harsh salt water weathering
- Multiplane, "free-floating" silicone rubber lamp isolation diaphragm absorbs shock and vibration
- Finned design dissipates heat for cooler operation
- Thermoset powder-coated finish withstands corrosion, extending fixture life
- Heat-resistant, heavy-duty, tempered cover lens endures heat and shock
- Watertight, EPDM rubber gasket seals out moisture; prevents condensation build-up

OPTIONS & ACCESSORIES

- Wire Lens Guard
- Models with:
 - Red Cover Lens
 - Amber Cover Lens
 - Shock Mount Base

ORDERING INFORMATION

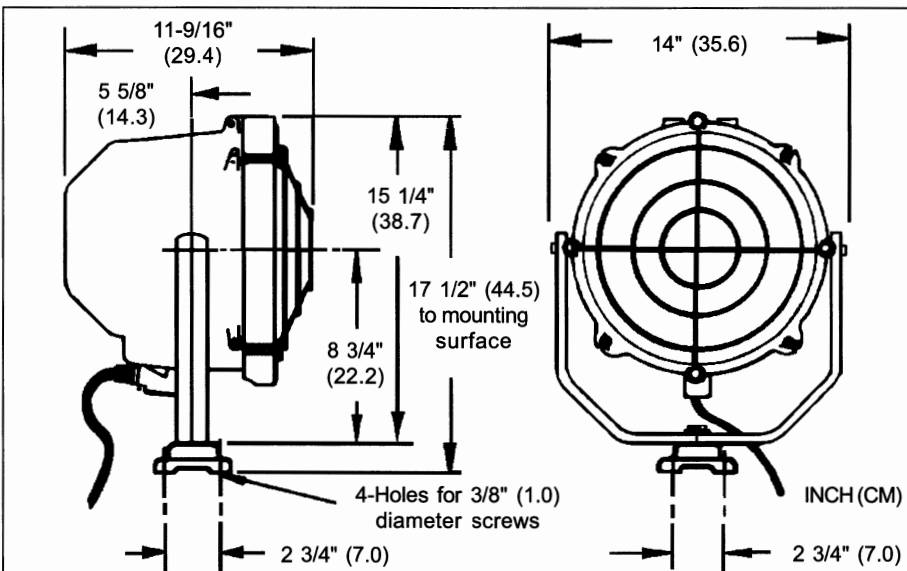
Model	Lamp	Watts	Options	Phoenix Part No.
MRS 64 / 1000	PAR 64	1000	Clear Lens	1010400
MRS 64 / 1000 - R	PAR 64	1000	Red Lens	1010401
MRS 64 / 1000 - N	PAR 64	1000	Shock Mount Base	1010402
MRS 64 - 1000 - Y	PAR 64	1000	Amber Lens	1010404

Lamping Data:

PAR 64 Extended Mogul End Prong Lamps				NEMA Rating	Max. Beam Candlepower
When ordering lamps, reference Phoenix Part Numbers					
Lamp Type	Beam Pattern	Watts	Phoenix Part No.	Photometric Data	
Halogen	Wide Flood	1000	4207500	5 x 3	37,576
Halogen	Medium Flood	1000	4207300	4 x 2	81,958
Halogen	Narrow Spot	1000	4207600	3 x 1	165,145
Halogen	Very Narrow Spot	1000	4209100	2 x 1	450,000
Incandescent	Wide Flood	500	4207800	4 x 3	15,292
Incandescent	Medium Flood	500	4207400	3 x 2	38,600

Accessories:

Accessory	Phoenix Part No.
Wire Lens Guard, WG-4	1052200
Glass Cover Lens / Color: Red	4610014
Glass Cover Lens / Color: Amber	4610015



TECHNICAL DATA

Wiring:

4' (1.2 m) long, 3 conductor heavy-duty SO cord (standard)

Dimensions:

Width: 14" (35.6 cm)
 Height: 17-1/2" (44.5 cm)
 Depth: 11-9/16" (29.4 cm)

Fixture Weight:

22 lbs. (10.0 kg.)

Color:

Phoenix Green
 Others available upon request

Photometric Data:

Complete photometric information is available on all Phoenix fixtures on a 3.5" PC-compatible disk. Includes data in I.E.S.N.A. format and a unique data report generator, which draws candela curves. Please contact our customer service department for a FREE disk for your unlimited use.

Phone: (414) 438-1200

Fax: (414) 438-0213

COMPLIANCES



UL 595 Listed:

Marine Fixture Outside Type (Saltwater)

UL 1571 Listed:

Electric Fixture
 Suitable for Wet Locations

U.S. Coast Guard Accepted



CSA Certified:

Indoor / Outdoor Enclosure Type 4X

NRTL:

UL 595: Outside Type (Saltwater)

UL 1571: Suitable for Wet Locations

Type

Catalog Number

PHOENIX

Phoenix Products Company, Inc
 8711 West Port Avenue
 Milwaukee, WI 53224 USA
 Tel: 414/973-3300
 Fax: 414-973-3210
www.phoenixproducts.com

N-5431300H