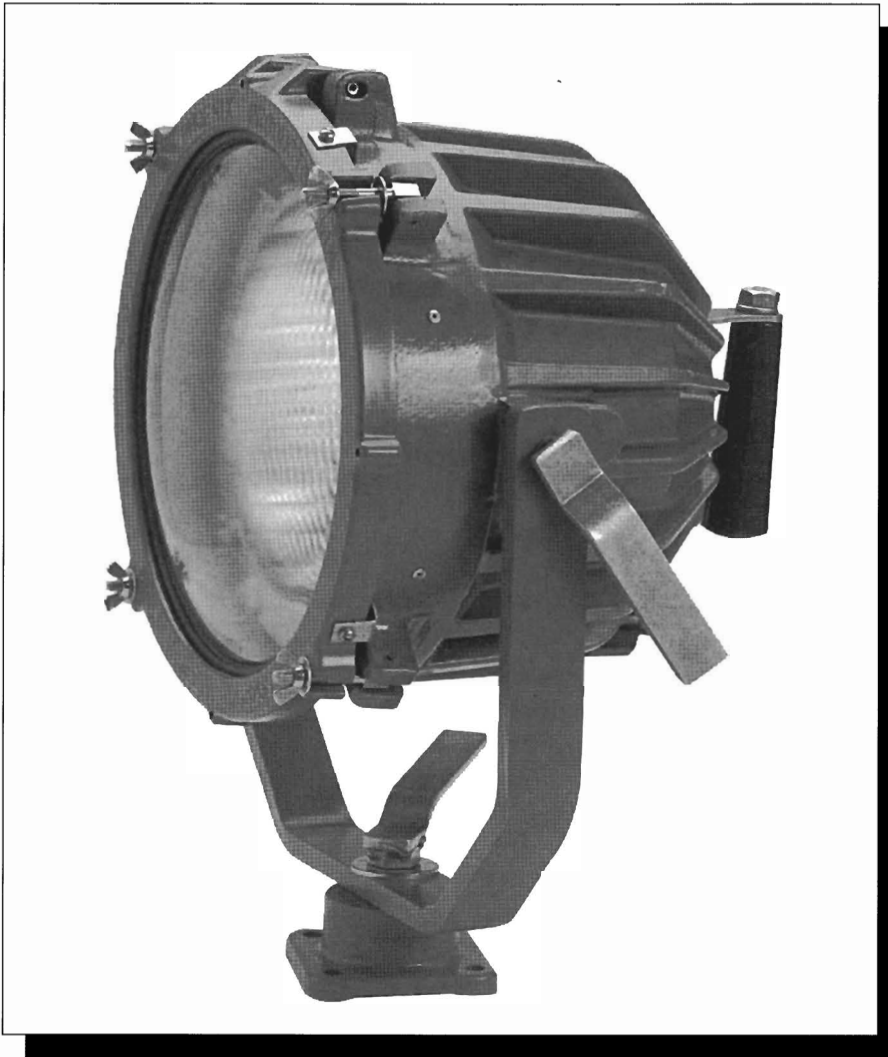


# PHOENIX

## MRS 56/500HS HAZARDOUS RATED SEARCHLIGHT



### Applications

- Marine Hazardous
- Cranes and Draglines
- Mining Shovels
- Tugs and Small Craft
- Barges
- Oil Rigs
- Port Container Cranes
- Car Ferries

### Phoenix Sample Specification — MRS 56 / 500 HS

Super-rough service, halogen/incandescent manual control searchlight with multiplane lamp isolation diaphragm to absorb shock and vibration. Accepts PAR 56, 300 or 500 watt quartz/halogen 120 volt sealed-beam extended mogul end prong lamps. UL Listed. Meets Standard 595 - Marine Outside (Saltwater) Electric Fixture and meets Standard 844 - Hazardous Location, Class I, Division 2. CSA Certified. U.S. Coast Guard Accepted. Copper-free, cast aluminum housing with green, thermoset powder-coated finish. Heavy-duty, copper-free aluminum mounting bracket. Stainless steel exterior hardware. Heat resistant, tempered cover lens. Silicone rubber sealing gasket.

### SPECIAL FEATURES

- Suitable for hazardous locations; UL 844 Listed: Class I, Division 2
- Full grip locking levers will not spin off under heavy vibration (no old fashioned circular wheels)
- Quick release handles offer fast, easy aiming and control, plus a positive lock for stability
- Captive hardware makes relamping easy; hardware is made of stainless steel to resist corrosion
- Large aiming handle makes aiming easy, even with gloved hands

### DURABILITY

- Copper-free cast aluminum housing extends fixture life; finned design dissipates heat quickly
- Thermoset powder-coated finish resists corrosion, providing extended fixture life
- Heat-resistant, heavy-duty cover lens withstands the heat and shock of hazardous environments
- Multiplane "free-floating" lamp diaphragm absorbs shock and vibration for longer lamp life
- Watertight, silicone gasket seals out dirt and moisture

### OPTIONS

- Wire Lens Guard
- Suitable for use with:  
220 / 230 / 240 volt lamps

**PHOENIX ... DURABILITY BY DESIGN**

## ORDERING INFORMATION

Model <i>( lamp type - watts - options )</i>	Phoenix Part No.
MRS 56 / 500 HS	1011350

Government NSN # : 6230-01-333-1515

### Accessories:

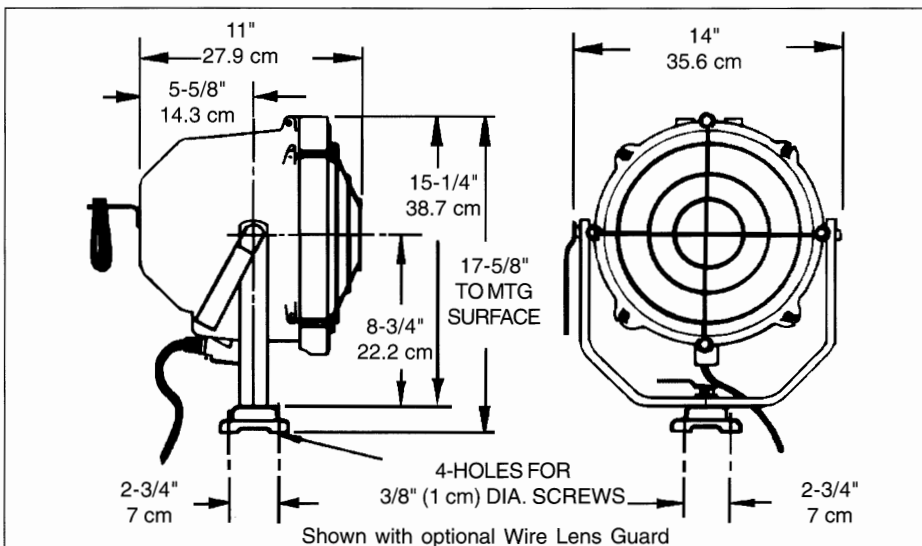
Accessory	Phoenix Part No.
Wire Lens Guard, WG-4	1052200

### Lamping Data:

Recommended PAR 56 Lamps			NEMA Rating	Max. Beam Candlepower
When ordering lamps, please reference Phoenix Part Numbers				
Lamp Type	Watts	Phoenix Part No.	Photometric Data	
Incandescent - wide flood	300	4200300	4 x 3	7,359
Incandescent - medium flood	300	4200400	3 x 2	25,638
Incandescent - narrow spot	300	4200600	2 x 2	56,007
Halogen - medium flood	500	4202400	3 x 2	47,163
Halogen - wide flood	500	4202500	5 x 3	14,693
Halogen - narrow spot	500	4202600	3 x 1	96,112
Extended mogul end prong ( 230 v )	300	Procure Locally		
Extended mogul end prong ( 230 v )	500	Procure Locally		

**Photometric Data:** Complete photometric information is available on all Phoenix fixtures on a 3.5" PC-compatible disk. Includes data in I.E.S.N.A. format and a unique data report generator, which draws candela curves. Please contact our customer service department for a FREE disk for your unlimited use.

Phone: (414) 438-1200 / Fax: (414) 438-0213



## TECHNICAL DATA

### Dimensions:

- Width: 14" (35.6 cm)
- Height: 17 5/8" (44.8 cm)
- Depth: 11" (27.9 cm)

**Fixture Weight:** 23 lbs. (10.4 kg)

### Color:

- Phoenix Green (standard)

## COMPLIANCES



UL 844 Listed: Hazardous Location Class I, Division 2

UL 595 Listed: Marine (Saltwater)

U.S. Coast Guard Accepted



CSA Certified

Type \_\_\_\_\_ Catalog Number \_\_\_\_\_

# PHOENIX

Phoenix Products Company, Inc  
 8711 West Port Avenue  
 Milwaukee, WI 53224 USA  
 Tel: 414/973-3300  
 Fax: 414-973-3210  
[www.phoenixproducts.com](http://www.phoenixproducts.com)