

# MRS 56/500H

## HAZARDOUS RATED FLOODLIGHT



**DESCRIPTION:** The *MRS 56/500H Series* fixture is a super-rough, hazardous-rated, halogen/incandescent floodlight. It is dual UL rated for Marine Saltwater applications and for Hazardous Class 1 Div. 2 locations. Typical applications include; Marine Environments, Lifeboats & Small Craft, Geo-Thermal Plants and Hazardous Locations.

### SPECIFICATIONS

**Construction:** Housing, door and base castings are rugged Marine grade aluminum for durability and long fixture life. The harp is marine grade wrought aluminum. Captive stainless steel external hardware. Splice box with 3/4" tapped hole provided for connection to flexible metal conduit in compliance with NEC.

**Finish:** Green thermoset polyester powder coat finish resists corrosive effects of saltwater environments.

**Lamp:** Accepts PAR 56 sealed beam, mogul end prong lamps. Unique multiplane "free-floating" lamp isolation diaphragm absorbs shock and vibration for longer lamp life. Lamps not included.

**Lens:** Convex shaped, heat resistant heavy duty tempered glass. Withstands heat and thermal shock from rain or splashing water. Clear lens is standard, red or yellow lens options available.

**Mounting:** Dual axis mounting bracket for aiming versatility. Mounting base casting has 4 holes provided for 3/8" bolts (not included) to provide secure mounting.

**Gaskets:** High temperature Silicone gasket provides a positive seal for both the lens and the door to prevent dirt or moisture from entering the fixture.

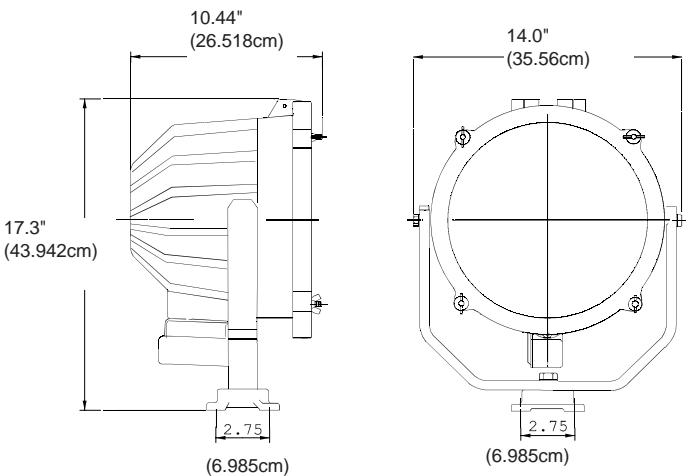
### COMPLIANCES

**UL 844 - Listed Class 1 Div. 2 for Hazardous Locations**  
 For Groups A,B, C & D 300 Watt Max.  
 Operating Temperature 325°C (617°F)  
 For Groups B, C & D 500 Watt Max.  
 Operating Temperature 450°C (842°F)

**UL 1598A - Listed Marine Electric Fixture Outside Type (Saltwater)**

**Meets US Coast Guard Requirements**

**CSA Certified: Luminaires for Hazardous Locations Class 1 Div. 2 Enclosure Type 4X**  
 For Groups A,B,C & D 300 Watt Max.  
 Operating Temperature 325°C (617°F)  
 For Groups B,C & D 500 Watt Max.  
 Operating Temperature 450°C (842°F)



Weight: 22 lbs.  
10 kgs.



# PHOENIX®

## PHOTOMETRICS

Contact Phoenix Products Company for Photometric Information.  
Or visit our website at [www.phoenixproducts.com](http://www.phoenixproducts.com)

## ORDERING INFORMATION

**SERIES**                      **LENS**

example: MRS56/500H — CL\*

|

\*CL = Clear (Standard)  
R = Red  
Y = Yellow

PAR 56 MOGUL END PRONG LAMPS		
Lamps not included - order separately		
Lamp Type	Watts	Phoenix P/N
Halogen-wide Flood	300	4200300
Halogen-medium flood	300	4200400
Halogen-narrow spot	300	4200600
Halogen-wide flood	500	4202500
Halogen-medium flood	500	4202400
Halogen-narrow spot	500	4202600

## ACCESSORIES



WIRE LENS GUARD  
WG-4

N5433500F

**PHOENIX**<sup>®</sup>

8711 West Port Avenue • Milwaukee, WI 53224 USA • Phone: 414.973.3300 Fax: 414.973.3210

*Durability by Design*

[www.phoenixproducts.com](http://www.phoenixproducts.com)