

PHOENIX

MODEL 46 STURDILITE FLOODLIGHT



Applications

- Tractors & Loaders
- Utility & Maintenance Vehicles
- Small Shovels
- Truck Cranes
- Emergency Vehicles
- Wheel Buckets

Phoenix Sample Specification — MODEL 46

Low-voltage Sturdilite® floodlight. Available for use with contact lug or screw terminal PAR 46 type lamps in 60 or 150 watts (12 - 32 volts). Housing, bracket, and major components are made of heavy-gauge steel. Hardware is zinc-plated and chromate dipped. Housing has thermoset, powder-coated finish. Reinforced porcelain lamp socket. Lamp retainer plate. Dual purpose connector. Grounded, resilient mounting base. Dual axis mounting bracket. Government NSN #: 6210-00-425-1776.

PHOENIX ... DURABILITY BY DESIGN

SPECIAL FEATURES

- An economical, rough service fixture built for mining and heavy equipment applications
- Accepts low voltage PAR 46 incandescent lamps for instant-on light wherever it is needed
- Low-voltage, compact fixture which can take the abuse of punishing mining environments
- Dual axis mounting bracket provides aiming versatility
- Lamp retainer plate prevents lamps from loosening during rough service mining use; makes relamping easy
- Dual purpose connector adapts to either contact lug or screw terminal lamp base types

DURABILITY

- Grounded resilient mounting base provides shock and vibration isolation
- Housing, bracket and major components are made of heavy gauge steel to stand up to punishing mining applications
- Hardware is zinc plated and chromate-dipped for rust and corrosion prevention
- Reinforced porcelain socket reduces the chance of lamp failure due to excessive shock
- Thermoset, powder-coated finish offers maximum corrosion resistance

ACCESSORIES

- Wire Lens Guard

MODEL 46

STURDILITE FLOODLIGHT

ORDERING INFORMATION

Model	Phoenix Part No.
Model 46	1000500

Government NSN #: 6210-00-425-1776

Accessories:

Accessory	Phoenix Part No.
Wire Lens Guard, WG-1	1151701

Lamping Data:

PAR 46 Dual Purpose Connector Lamps					Deg. Beam Spread	Max. Beam Candlepower
When ordering lamps, please reference Phoenix Part Numbers						
Lamp Type	Volts	Watts	Base Type	Phoenix Part No.	Photometric Data	
Rough Service - Spot	32	150	Screw Terminal	4203600	10 x 11	100,000
Special Service	24 - 28	150	Screw Terminal	4203300	80 x 20	7,000
C. I. M. - Flood	12 - 16	60	2 Contact Lugs	4202100	55 x 25	1,600
C. I. M. - Flood	24 - 28	60	2 Contact Lugs	4201900	55 x 25	1,600

TECHNICAL DATA

Wiring:

- 3 1/2 foot (1.10 m) long, 2 conductor heavy-duty SO cord

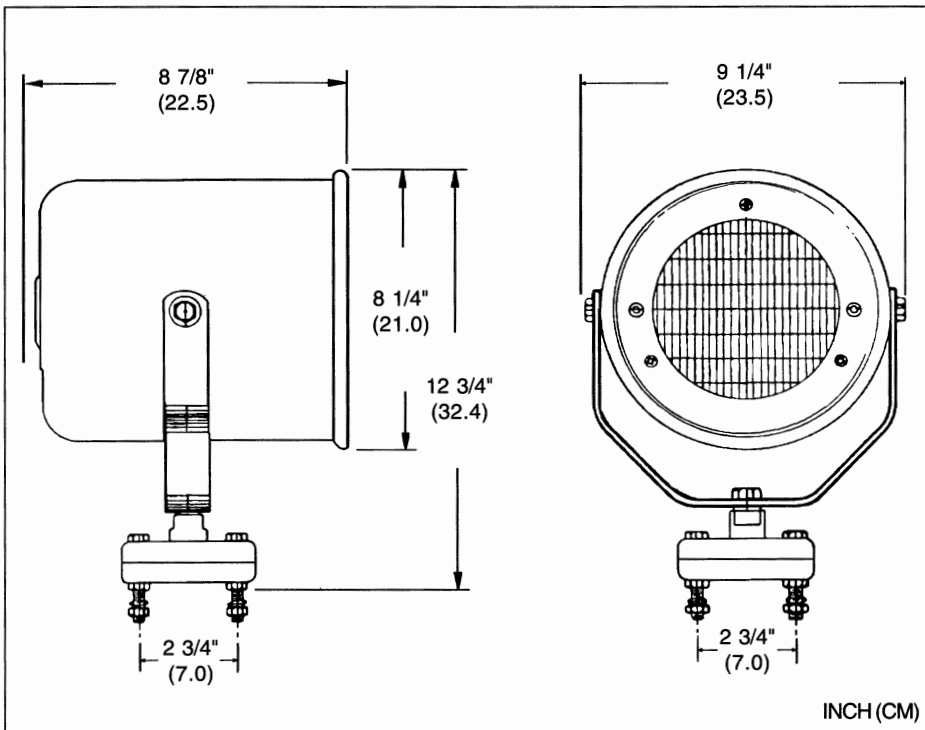
Dimensions:

- Width: 9 1/4" (23.5 cm)
- Height: 12 3/4" (32.4 cm)
- Depth: 8 7/8" (22.5 cm)

Fixture Weight: 8 lbs. (3.6 kg)

Color:

- Phoenix Green



Photometric Data:

Complete photometric information is available on all Phoenix fixtures on a 3.5" PC-compatible disk. Includes data in I.E.S.N.A. format and a unique data report generator, which draws candela curves.

Please contact our customer service department for a FREE disk for your unlimited use.

Phone: (414) 438-1200

Fax: (414) 438-0213

Type	Catalog Number
_____	_____
_____	_____
_____	_____

PHOENIX

Phoenix Products Company, Inc
 8711 West Port Avenue
 Milwaukee, WI 53224 USA
 Tel: 414/973-3300
 Fax: 414-973-3210
 www.phoenixproducts.com

N-5610180A