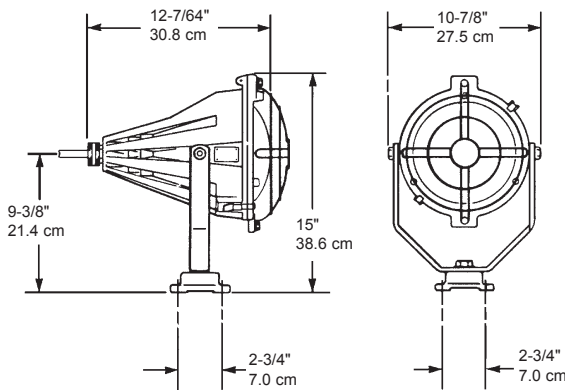


MFC SERIES

MARINE RATED FLOODLIGHT



(Fixture shown with wire guard accessory.)
(Dimensions do not include wire guard.)

Weight: 13 lbs.
5.8 Kgs

Wiring: 4 foot no. 18-3 SO cord.

DESCRIPTION: The *MFC Series* is a weatherproof marine floodlight designed to withstand harsh environments. The fixture is sealed and gasketed to keep moisture and saltwater out.

SPECIFICATIONS

- **HOUSING:** Marine grade, low-copper content aluminum alloy housing, base and door. Resists corrosion for longer service life.
- **FINISH:** Thermoset, powder-coated finish standard in Phoenix Green.
- **LENS:** Heat-resistant, heavy-duty tempered glass withstands heat and temperature shock.
- **HARDWARE:** All external hardware is stainless steel to prevent corrosion.
- **SILICONE GASKET:** High temperature gasket provides a positive seal against dirt and moisture.
- **HINGED DOOR:** Door sealed with two stainless steel latches for quick lamp change without tools.
- **CORD GRIP:** Aluminum cord grip provided as standard.

OPTIONS

- **QUICK RELEASE HANDLES:** Aim and lock feature for fast, toolless aiming.
- **TAMPER-RESISTANT LATCHES:** Provide added security against vandalism and theft.

ACCESSORIES

- **WIRE LENS GUARD:**
Provides maximum protection against damage to glass lens. Order: WG-6



ORDERING INFORMATION

SERIES WATT/TYPE - OPTIONS



WATTAGE/TYPE (Lamps not included)

38INC = Incandescent (PAR 38; 120 V, 250W max, Medium Screw Base)
46INC = Incandescent (PAR 46; 12 V, 60W max., 2 Contact Lugs)
46RINC = Incandescent (PAR 46; 24 V, 150W max., Screw Terminal)
56INC = Incandescent (PAR 56; 500W max., Ex. Mogul End Prong)

OPTIONS

TRL = Tamper-Resistant Latches
QRH = Quick Release Handles

VOLTAGE

Incandescent voltages are per lamp specifications (supplied by others).

MOUNTING

Fasten fixture with four 3/8" bolts through holes provided in mounting base. The base can be ground, pendant, or cantilever mounted.

COMPLIANCES

UL Listed

1598 - Suitable for Wet Location
- Suitable for mounting within 4' of ground
1598A - Marine/Electric Fixture/Outside Type (saltwater)

cUL Listed

Indoor/Outdoor Use

US Coast Guard Accepted



PHOENIX®

N5610428D

PHOENIX®
Durability by Design

8711 West Port Avenue • Milwaukee, WI 53224 USA • Phone: 414.973.3300 • Fax: 414.973.3210
www.phoenixproducts.com