

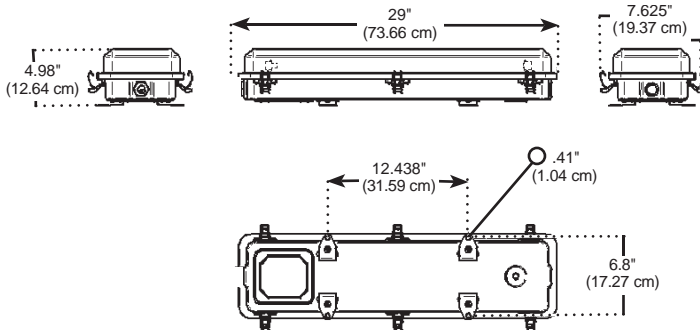
# LFW SERIES

Snaplight® Fluorescent for Wet Locations



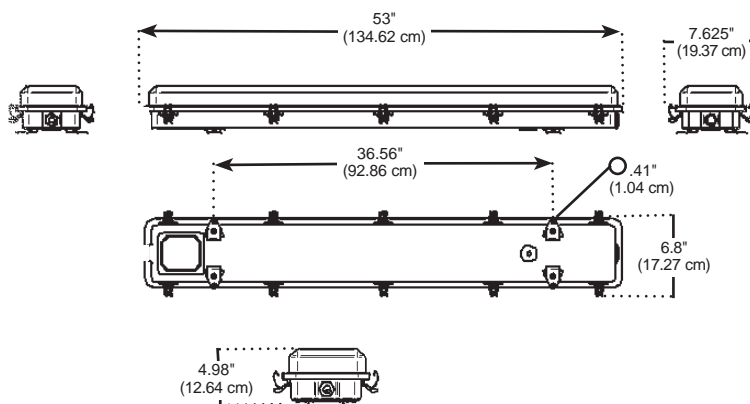
LFW217

shipping weight is 8.66 lbs. (3.93 kg)



LFW232

shipping weight is 13.44 lbs. (6.10 kg)



**DESCRIPTION:** The *LFW Series* is a wet listed, surface-mounted fluorescent ceiling fixture for indoor or outdoor use. Ideal for installation in areas susceptible to dust, dirt, humidity, water vapor, rain, or incidental water spray such as canopies, parking garages, processing areas, shoreline facilities, and wastewater treatment plants. Available in two and four foot lengths.

## SPECIFICATIONS

**Housing:** Corrosion free high impact glass reinforced, UV stabilized nylon. Superior cold temperature impact strength.

**Diffuser:** High impact polycarbonate matte finish. Tethered to housing for easy relamping; merely unlatch and change lamp.

**Gasketing:** Watertight silicone gasket attached to lens provides positive seal against moisture and dirt.

**Hardware:** All external hardware is captive and non-magnetic stainless steel.

**Ballast:** 120 through 277V, 50/60Hz, Class P, high power factor, low temperature ballast ≤ 10%THD standard.

**Reflector:** Tethered to housing for ease of maintenance. Thermoset high reflectance, white polyester powder coated finish.

**Internal Fasteners:** Unique captive quarter-turn fasteners secure reflector - no need to worry about losing screws or washers while installing or servicing fixture. No tools required.

**Conduit Openings:** 3/4" NPT threaded on both ends.

**Mounting Feet:** Standard heavy duty shock resistant stainless steel mounting feet.

**Wiring:** Additional circuit thru wiring is standard.

## COMPLIANCES

UL 1598 Listed - Wet Location



**PHOENIX®**

## PHOTOMETRICS

Contact Phoenix Products Company for Photometric Information.  
Or visit our Website at [www.phoenixproducts.com](http://www.phoenixproducts.com)

## ORDERING INFORMATION

Standard ballast is 120 through 277V, 50/60Hz, Class P, high power factor, low temperature,  $\leq 10\%$ THD.

SERIES    LAMP QTY    WATT/TYPE    OPTION

<b>LFW</b>	<b>2</b>	<b>17</b>	<b>—</b>	<b>SL</b>
LFW	2	17 32		SL

LAMP QUANTITY  
2 = 2 lamps

WATT/TYPE  
**(lamps not included)**  
17 = F17T8 (17 watt, 24" (61 cm), Med Bi-pin)  
32 = F32T8 (32 watt, 48" (122 cm), Med Bi-pin)

OPTION  
SL = Spring Loaded Lamp Holders

## ACCESSORIES

Ordered separately  
for field installation

### COLORED LAMP SLEEVES

Color	Length	Phoenix Part No.
Red	2'	7259100
Red	4'	7550039
Green	2'	contact factory
Green	4'	7550040
Blue	2'	4055010
Blue	4'	7550264

N5610965D

**PHOENIX®**