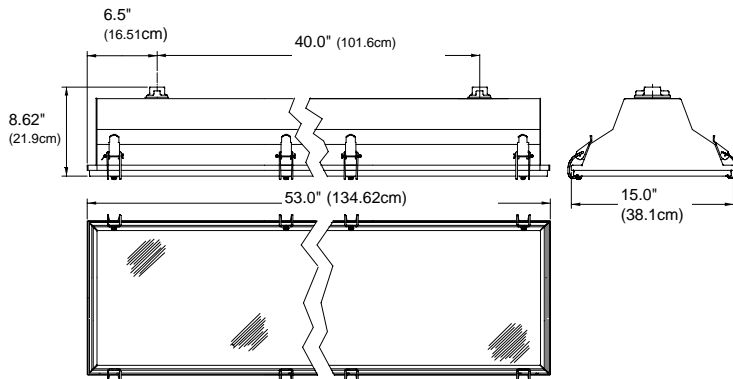
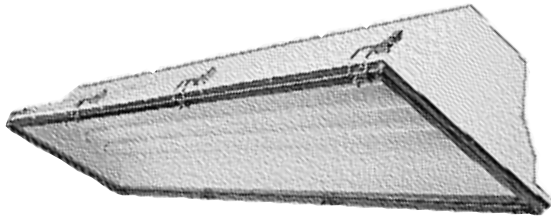


LFV7 SERIES

HAZARDOUS RATED FLUORESCENT



Weight: 2 Lamp = 37lbs. (16.9kg)
3 Lamp = 43lbs. (19.6kg)

DESCRIPTION: The *LFV7 Series* is a hazardous rated 4' fluorescent fixture available for two or three lamps. Designed for applications such as wastewater treatment plants, paint manufacturing plants, oil refineries, and chemical manufacturing.

SPECIFICATIONS

Housing: One-piece, 20 gauge steel housing construction with an extruded aluminum door frame.

Finish: White thermoset powder coat finish, continuous inside and out to provide a uniform reflective surface for even light distribution

Lens: 3/16" thick tempered glass lens. Stainless steel balls are secured to fixture door on one side making relamping easy and provide maximum strength and durability. Lamps not included.

Gasket: Silicone gasket provides superior heat and cold resistance.

Mounting: Supplied with threaded connectors in either top mount, for standard pendant applications, or end mounted, for through wiring applications. Chain or adjustable bracket accessory kits are available.

OPTIONS

- Low Temperature Ballast
- Thru Wiring
- Electronic Ballast
- Radio Frequency Filter
- Individually Externally Fused Ballast

COMPLIANCES

UL 844 Listed: Hazardous Locations
Class I, Division 2, Groups A, B, C, D
T3C (160 C) Operating Code
Class II, Divisions 1 & 2, Groups F & G
T5 (100 C) Operating Code
Class III
T5 (100 C) Operating Code
Suitable for Wet Locations



PHOENIX®

N-5610188D

PHOENIX®
Durability by Design

8711 West Port Avenue • Milwaukee, WI 53224 USA • Tel: 414-973-3300 • Fax: 414-973-3210

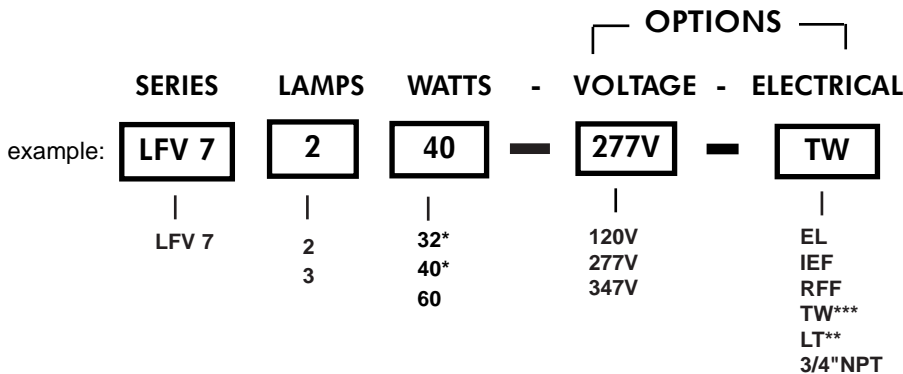
www.phoenixproducts.com

PHOTOMETRICS

Contact Phoenix Products Company for Photometric Information.
Or visit our website at www.phoenixproducts.com

ORDERING INFORMATION

****PLEASE NOTE: NOT ALL COMBINATIONS LISTED
BELOW ARE AVAILABLE. CONTACT FACTORY WITH ANY
QUESTIONS



Lamps not Included

WATTAGE

32 = F32T8 (Medium Bi-Pin, 4')
40 = F40T12 (Medium Bi-Pin, 4')
60 = F48T12HO (Recessed Double Contact, 4')
*32 and 40 Watt fixture comes standard with electronic ballast

VOLTAGE

(120V Standard)
120V = 120 Volts
277V = 277 Volts
347V = 347 Volts

OPTIONS

EL = Electronic Ballast
IEF = Individually Externally Fused Ballast
RFF = Radio Frequency Interference Filter
TW = Thru Wiring***
LT = Low Temperature Ballast **
3/4"NPT = Contact Factory

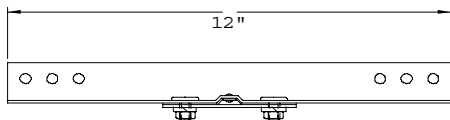
** 32 & 60 watt only

*** End-Mounted threaded connectors

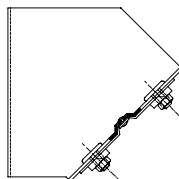
MOUNTING

VBAK = Variable Angle Bracket Mounting Kit
CMBK = Chain Mount Bracket Mounting Kit
ABK = Angle Bracket Mounting Kit

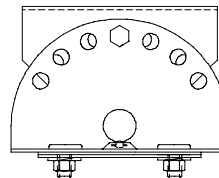
Standard unit is pendant mounted using 1/2" NPT pipe. For 3/4" NPT pipe Contact Factory.



Chain Mount Bracket Kit
P/N 1090006



Angle Mount
Bracket Kit
P/N 1090004



Variable Angle
Bracket Kit
P/N 1090005

N-5610188D

PHOENIX®

PHOENIX®
Durability by Design

8711 West Port Avenue • Milwaukee, WI 53224 USA • Tel: 414-973-3300 • Fax: 414-973-3210
www.phoenixproducts.com