

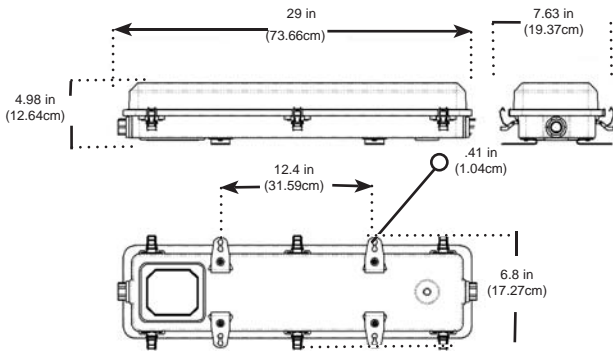
LFSD SERIES

Snaplight® Fluorescent for Hazardous Locations



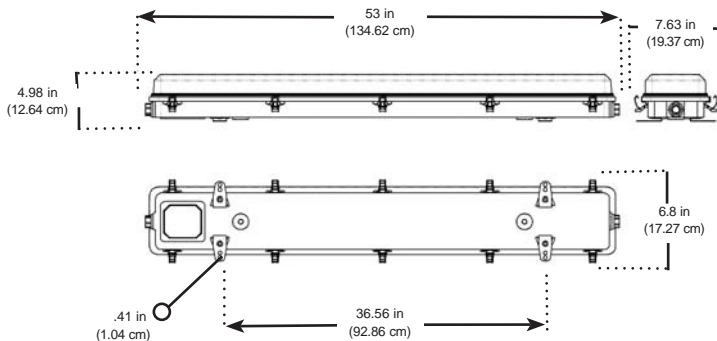
2 ft LFSD

shipping weight is 8.66 lbs (3.93 kg)



4 ft LFSD

shipping weight is 13.44 lbs (6.10 kg)



DESCRIPTION: The *LFSD Series* is a marine-rated, surface-mounted fluorescent ceiling fixture for use in Class I Division 2 hazardous locations. Available in two or four foot lengths.

SPECIFICATIONS

Housing: Corrosion-free, high-impact, glass-reinforced, UV-stabilized nylon. Superior cold temperature impact strength.

Diffuser: High-impact polycarbonate matte finish. Tethered to housing for easy relamping; merely unlatch and change lamp.

Gasketing: Watertight gasket attached to lens provides positive seal against moisture and dirt.

Hardware: All external hardware is captive and non-magnetic stainless steel.

Ballast: Electronic, 120V, 60Hz, high power factor, Class P, Type H ballast standard. Alternative voltages available.

Reflector: Tethered to housing for ease of maintenance. Thermoset high reflectance, white polyester powder-coated finish.

Internal Fasteners: Unique captive quarter-turn fasteners secure reflector - no need to worry about losing screws or washers while installing or servicing fixture. No tools required.

Lamp Holders: Vibration-resistant, spring-loaded lamp holders standard.

Conduit Openings: 3/4" NPT threaded metal hazardous location hub on both ends. Threaded plug provided.

Mounting Feet: Standard heavy-duty, shock-resistant stainless steel mounting feet.

Compatibility: Interchangeable with installations of similar fixtures from other manufacturers.

Wiring: Additional circuit thru wiring is standard. (max two lamp 40W)

OPTIONS

- Low-Temperature Ballast
- Dimmable Ballast
- Terminal Block
- Colored Lamp Sleeves
- Emergency Ballast Backup

COMPLIANCES

UL844 - Hazardous Location
Class I Division 2 Groups A, B, C, & D
Class I Zone 2 Groups IIA, IIB, IIB+H₂, & IIC



UL 1598A Listed - Marine Outside Type (Saltwater)

UL 924 Listed - Emergency Lighting Equipment

UL 1598 Listed - Wet Location

Meets US Coast Guard Requirements

ABS

PHOENIX®

ORDERING INFORMATION

*** PLEASE NOTE: NOT ALL COMBINATIONS LISTED BELOW ARE AVAILABLE. CONTACT FACTORY WITH ANY QUESTIONS

SERIES	LAMP QTY	WATT/TYPE	OPTIONS		
			VOLTAGE (120V Standard)	HERTZ (60Hz standard)	ELECTRICAL
LFSD	2	17	220	50Hz	EMB
 LFSD	 1* 2 3*	 17 20 24 32 35 40 54	 120 208 220 240 277 347 12 24 UNIV	 50Hz 60Hz	 TB RFF IF** LTB DIM RM DB EMB*** ELB**

LAMP QUANTITY

- 1 = 1 lamp*
- 2 = 2 lamps
- 3 = 3 lamps*

WATT/TYPE (Base/fixture length)

(lamps not included)

- 17 = F17 T-8 (Med Bi-pin, 2')
- 20 = F20 T-12 (Med Bi-pin, 2')
- 24 = F24 T-5HO (Mini Bi-Pin 2')
- 32 = F32 T-8 (Med Bi-pin, 4')
- 35 = F24 T-12HO (RDC, 2')
- 40 = F40 T-12 (Med Bi-pin, 4')
- 54 = F54 T-5HO (Mini Bi-pin, 4')
- 60 = F48 T-12HO (RDC, 4')

VOLTAGE OPTIONS

- (120V Standard)
- 120V = 120 Volt
- 208V = 208 Volt
- 220V = 220 Volt
- 240V = 240 Volt
- 277V = 277 Volt
- 347V = 347 Volt
- UNIV = Universal voltages (120-277V; 50/60Hz)
- 12V = 12 Volt
- 24V = 24 Volt

ELECTRICAL OPTIONS

- EMB = Emergency Battery Backup****
- TB = Terminal Block
- RFF = Radio Frequency Filter
- IF = In-line Internal Fuse**
- ELB = Electronic Ballast***
- LTB = Low-Temperature Ballast
- DIM = Dimmable Ballast
- RM = Rigid Mount
- DB = Dual Ballast

* Not available on 35 or 60 watt fixtures.

** Not available on marine listed fixtures, not cUL listed

*** Electronic Ballast standard on all fixtures except 20W

**** EMB option not available on 54W or low voltage models

Phoenix Products has taken reasonable steps to ensure that the information contained herein is accurate. While we believe the information is accurate, no warranty is made or implied. Product design and specifications are subject to change without notice. The most current version of this specification sheet can be found on our website, www.phoenixproducts.com

TEMPERATURE CODES

Class I Division 2 Groups A,B,C,& D Temperature Codes		
Model	Maximum Temperature	
	Ambient	Code (Operating Temp.)
17W LFSD	40° C	T5 (100° C)
20W LFSD	40° C	T4A (120° C)
24W LFSD	25° C	T3C (160° C)
32W LFSD	40° C	T5 (100° C)
35W LFSD	25° C	T4 (135° C)
40W LFSD	40° C	T4A (120° C)
54W LFSD	25° C	T3C (160° C)
60W LFSD	25° C	T4 (135° C)

ACCESSORIES

Ordered separately for field installation

COLORED LAMP SLEEVES

Color	Length	Phoenix Part No.
Red	2'	7529100
Red	4'	7550039
Green	2'	Contact Factory
Green	4'	Contact Factory
Blue	2'	4055010
Blue	4'	7550264

N5610960C

PHOENIX®