

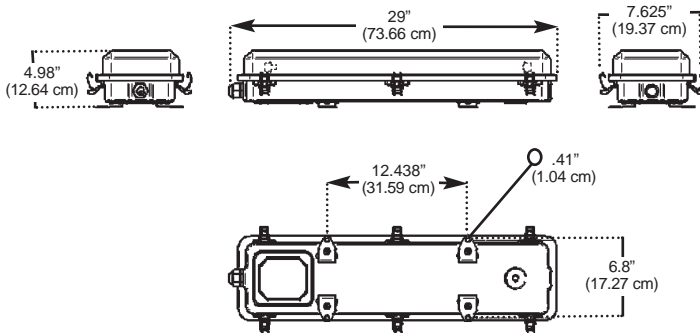
# LFSD SERIES

Snaplight® Fluorescent for  
Hazardous Locations



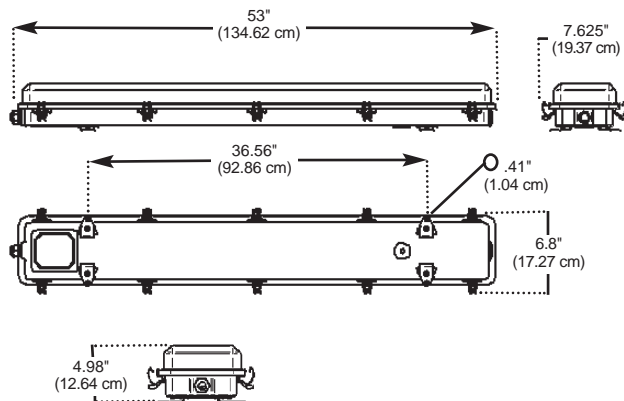
2 ft. LFSD

shipping weight is 8.66 lbs. (3.93 kg)



4 ft. LFSD

shipping weight is 13.44 lbs. (6.10 kg)



**DESCRIPTION:** The *LFSD Series* is a marine rated, surface-mounted fluorescent fixture for use in Class I Division 2 hazardous locations. Available in two or four foot lengths.

## SPECIFICATIONS

**Housing:** Corrosion-free, high impact, glass-reinforced, UV-stabilized nylon. Superior cold temperature impact strength.

**Diffuser:** High impact polycarbonate matte finish. Tethered to housing for easy relamping; merely unlatch and change lamp.

**Gasketing:** Watertight gasket attached to lens provides positive seal against moisture and dirt.

**Hardware:** All external hardware is captive and non-magnetic stainless steel.

**Ballast:** 120V, 60Hz, high power factor, Class P ballast standard. Alternative voltages available.

**Reflector:** Tethered to housing for ease of maintenance. Thermoset high reflectance, white polyester powder coated finish.

**Internal Fasteners:** Unique captive quarter-turn fasteners secure reflector - no need to worry about losing screws or washers while installing or servicing fixture. No tools required.

**Lamp Holders:** Vibration resistant spring loaded lamp holders standard.

**Conduit Openings:** 3/4" NPT threaded metal hazardous location hub on both ends. Threaded plug provided.

**Mounting Feet:** Standard heavy duty shock resistant stainless steel mounting feet.

**Compatibility:** Interchangeable with installations of similar fixtures from other manufacturers.

**Wiring:** Additional circuit thru wiring is standard. (max two lamp 40W)

## OPTIONS

- Electronic ballast
- Colored lamp sleeves
- Low-temperature ballast
- Emergency ballast
- Dimmable ballast
- battery type
- Terminal block

## COMPLIANCES

UL844 - Hazardous Location  
Class I Division 2 Groups A, B, C, & D  
Class I Zone 2 Groups IIA, IIB, IIB+H<sub>2</sub>, & IIC



UL 1598A Listed - Marine Outside Type Saltwater  
Marine Type Electric Fixture  
(expected 12/06)

UL 924 Listed - Emergency Ballast

UL 1598 Listed - Wet Location

Meets US Coast Guard Requirements

ABS

**PHOENIX®**

# PHOTOMETRICS

Contact Phoenix Products Company for Photometric Information.  
Or visit our Website at [www.phoenixproducts.com](http://www.phoenixproducts.com)

## ORDERING INFORMATION

**\*\*\* PLEASE NOTE: NOT ALL COMBINATIONS LISTED BELOW ARE AVAILABLE. CONTACT FACTORY WITH ANY QUESTIONS**

SERIES	LAMP QTY	WATT/TYPE	OPTIONS		
			VOLTAGE (120V Standard)	HERTZ (60Hz standard)	ELECTRICAL
<b>LFSD</b>	<b>2</b>	<b>17</b>	<b>220</b>	<b>50Hz</b>	<b>EMB</b>
LFSD	1 2 3*	17 20 24 32 35 40 54 60	120 208 220 240 277 347 12 24 UNIV	50Hz 60Hz	EMB**** TB RFF IF** ELB*** LTB DIM RM DB

### LAMP QUANTITY

1 = 1 lamp  
2 = 2 lamps  
3 = 3 lamps\*

\* Not available on 35 or 60 watt fixtures.

### WATT/TYPE (Base / fixture length)

#### (lamps not included)

17 = F17 T-8 (Med Bi-pin, 2')  
20 = F20 T-12 (Med Bi-pin, 2')  
24 = F24T5HO (Mini Bi-pin, 2')  
32 = F32 T-8 (Med Bi-pin, 4')  
35 = F24 T-12HO (RDC, 2')  
40 = F40 T-12 (Med Bi-pin, 4')  
54 = F54T5HO (Mini Bi-pin, 4')  
60 = F48T-12HO (RDC, 4')

### VOLTAGE OPTIONS

(120V Standard)  
120V = 120 Volt  
208V = 208 Volt  
220V = 220 Volt  
240V = 240 Volt  
277V = 277 Volt  
347V = 347 Volt  
UNIV = Universal voltages (120-277V;  
50/60Hz)  
12V = 12 Volt  
24V = 24 Volt

### ELECTRICAL OPTIONS

EMB = Emergency Battery Backup\*\*\*\*  
TB = Terminal Block  
RFF = Radio Frequency Filter  
IF = In-line Internal Fuse\*\*  
ELB = Electronic Ballast\*\*\*  
LTB = Low Temperature Ballast  
DIM = Dimmable Ballast  
RM = Rigid Mount  
DB = Dual Ballast

\*\* Not available on marine listed fixtures, not cUL listed

\*\*\* Electronic Ballast standard on all fixtures except 20W

\*\*\*\* EMB option not available on 54W or low voltage models

## TEMPERATURE CODES

### Class I Division 2 Groups A, B, C, & D Temperature Codes

Model	Maximum Temperature	
	Ambient	Code (Operating Temp.)
17 watt LFSD	40°C	T5 (100°C)
20 watt LFSD	40°C	T4A (120°C)
24 watt LFSD	25°C	T3C (160°C)
32 watt LFSD	40°C	T5 (100°C)
35 watt LFSD	25°C	T4 (135°C)
40 watt LFSD	40°C	T4A (120°C)
54 watt LFSD	25°C	T3C (160°C)
60 watt LFSD	25°C	T4 (135°C)

## ACCESSORIES

Ordered separately for field installation

### COLORED LAMP SLEEVES

Color	Length	Phoenix Part No.
Red	2'	7529100
Red	4'	7550039
Green	2'	contact factory
Green	4'	7550040
Blue	2'	4055010
Blue	4'	7550264

N5610960C

# PHOENIX®