

HLS SERIES

HIGH-INTENSITY DISCHARGE LIGHTING SYSTEM

DESCRIPTION: The *HLS Series* is a compact high-output worklight, ruggedly constructed to withstand the most demanding heavy-duty environments. HID lighting systems feature blue-white light and increased resistance to shock and vibration. The HLS produces **instant-on** high intensity lighting with 70% more light output than halogens. Lack of a lamp filament provides increased durability and shock and vibration resistance. Typical applications; Agriculture, Highway Paving, Industrial Trucks, Marine, Mining Machinery and Rescue Vehicles.



SPECIFICATIONS

Construction: Housing is constructed of an impact and chemical resistant nylon composite. Sealed housing resists corrosion, water and dust intrusion.

Lens: All glass.

Hardware: All external hardware and shock-absorbing mounting bracket are stainless steel.

Lamps: D1S 35W HID lamp and ballast system. Instant-on, instant-restrike technology. 3200 lumens. 4100K color temperature. Lamps not included.

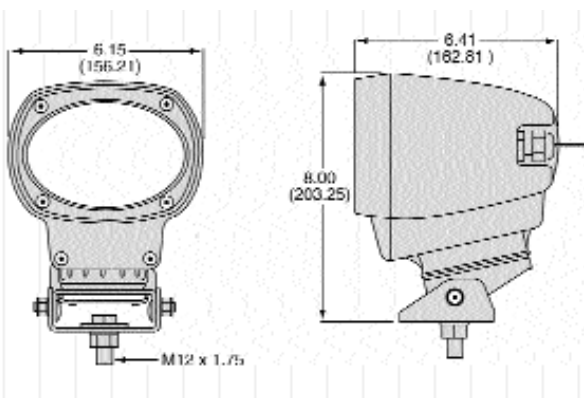
Ballast: Ambient operating temperature range -40° to +85° C. Sealed and potted ballast assembly resists vibration and shock.

OPTIONS

- Spot, Flood, Trapezoidal lenses available
- 12 or 24 volt systems

COMPLIANCES

IP 68 Rated - Dust and Water tight



Weight: 5.8 lbs.

N5610428C

PHOENIX®

PHOENIX® 8711 West Port Avenue • Milwaukee, WI 53224 USA • Phone: 414. 973. 3300 • Fax: 414. 973. 3210
Durability by Design www.phoenixproducts.com

