

# PHOENIX

## 24-70 SERIES STURDILITE<sup>®</sup> FLOODLIGHT



T 24-70  
Series



### SPECIAL FEATURES

- Available in twin lamp or single lamp head styles
- Sturdilite<sup>®</sup> fixtures are designed to survive in the most demanding, heavy shock and vibration environments
- Quartz halogen lamp for "instant-on" lighting on demand
- Multiplane, resilient mounting base for superior shock absorption
- Built to endure dozens of mining and heavy equipment applications
- Universal positioning enables you to direct light exactly where you need it most

### DURABILITY

- Sturdilite<sup>®</sup> shock mount base isolates fixture from shock and vibration
- Housing is durable, heavy-duty polycarbonate which is lightweight, yet designed to withstand abuse
- Hardware is chromate-dipped and zinc plated for rust and corrosion prevention

### Applications

- Off-Road Mining Trucks
- Loaders & Tractors
- Mining Shovels
- Blast Hole Drills
- Bulldozers
- Draglines

### Phoenix Sample Specification — 24 - 70 Series

Sturdilite<sup>®</sup> floodlight available in twin or single-lamp models. Accepts quartz/halogen type lamps in 24 volt, 70 watt available in spot or flood patterns. Sturdilite<sup>®</sup> multiplane, resilient mounting base. Universal positioning bracket. Housing is durable polycarbonate. All external hardware is chromate-dipped and zinc plated.

### OPTIONS

- Single Lamp Head Models
- Twin Lamp Head Models
- Spot or Flood Light Distribution

**PHOENIX ... DURABILITY BY DESIGN**

## ORDERING INFORMATION

Model (volts - watts - lamp type)	Phoenix Part No.
24 - 70F	1006901
24 - 70S	1006902
T24 - 70F	1020100
T24 - 70S	1020101

T = Twin Lamp Head / F = Flood Pattern / S = Spot Pattern

### Lamping Data: (Lamps included with all fixtures)

Replacement Lamps For replacement lamps only, order:			NEMA Rating	Max. Beam Candlepower
Lamp Type	Watts	Phoenix Part No.	Photometric Data	
Flood Pattern	70	4213700	5 x 3 / 5 x 3	3,780 / 1,890
Spot Pattern	70	4213800	1 x 1 / 1 x 1	87,946 / 43,973

(Twin Head / Single Head)

## TECHNICAL DATA

### Wiring:

- 12", #18 gauge leads

### Dimensions:

#### TWIN LAMP HEAD

- Width: 14 2/5" (36.6 cm)
- Height: 8 1/5" (20.8 cm)
- Depth: 5 1/5" (13.2 cm)

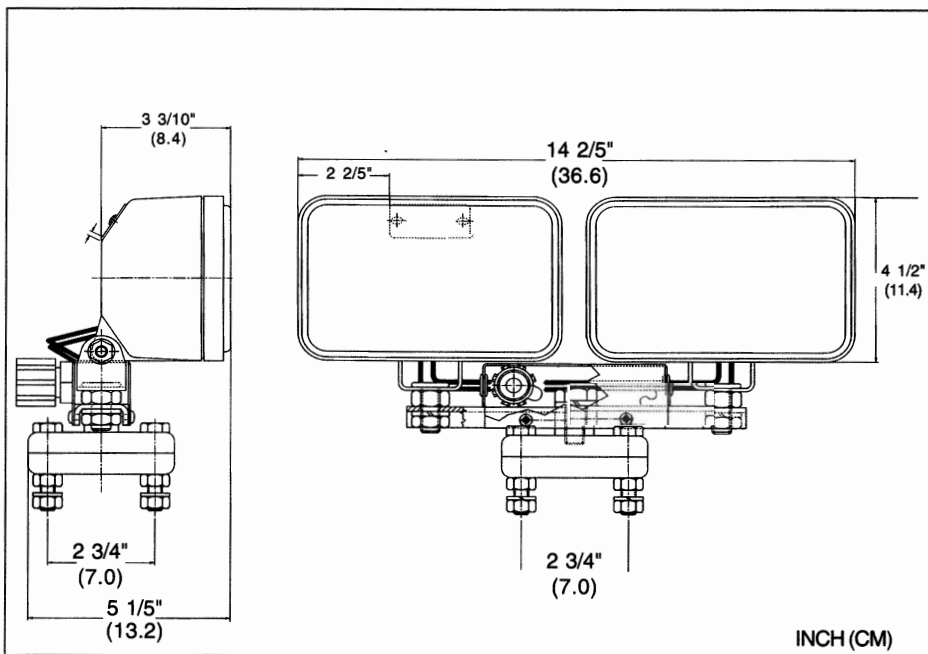
#### SINGLE LAMP HEAD

- Width: 6 9/10" (17.5 cm)
- Height: 8 1/5" (20.8 cm)
- Depth: 5 1/5" (13.2 cm)

**Fixture Weight:** 5.0 - 7.0 lbs.  
(2.3 - 3.2 kg)

### Color:

- Black



## Photometric Data:

Complete photometric information is available on all Phoenix fixtures on a 3.5" PC-compatible disk. Includes data in I.E.S.N.A. format and a unique data report generator, which draws candela curves.

Please contact our customer service department for a FREE disk for your unlimited use.

Phone: (414) 438-1200

Fax: (414) 438-0213

Type \_\_\_\_\_ Catalog Number \_\_\_\_\_

\_\_\_\_\_

\_\_\_\_\_

\_\_\_\_\_

# PHOENIX

Phoenix Products Company, Inc  
8711 West Port Avenue  
Milwaukee, WI 53224 USA  
Tel: 414/973-3300  
Fax: 414-973-3210  
www.phoenixproducts.com