

PHOENIX

12 / 300 STURDILITE FLOODLIGHT



Applications

- Wheel Buckets
- Utility & Emergency Vehicles
- Blast Hole Drills
- Small Shovels Cabs
- Off - Road Haulers
- Towers

Phoenix Sample Specification — 12 / 300

Heavy-duty Sturdilite® floodlight. Available for use with mogul end prong base PAR 56 type lamps in 300 watts (12 volts). Housing, bracket, and major components are made of heavy-gauge steel. Hardware is zinc-plated and chromate dipped. Thermoset, powder-coated finish. Reinforced porcelain lamp socket. Grounded, resilient mounting base. Dual axis mounting bracket. Hinged door visor with lockable toggle latch.

SPECIAL FEATURES

- Low voltage, heavy-duty floodlight
- Easy to install and maintain; 60-second lamp replacement
- Hinged door visor with lockable toggle latch, keeps lamp securely in place
- Dual axis mounting bracket provides aiming versatility
- "Instant-On" fixture is an immediate light source

DURABILITY

- Housing, bracket, and major components are made of heavy gauge steel to stand up to punishing mining environments
- Grounded resilient mounting base provides shock and vibration isolation
- Hardware is zinc plated and chromate-dipped for rust and corrosion prevention
- Reinforced porcelain socket reduces the chance of lamp failure due to excessive shock
- Thermoset powder-coated finish offers maximum corrosion resistance

ACCESSORIES

- Wire Lens Guard

PHOENIX ... DURABILITY BY DESIGN

ORDERING INFORMATION

Model (voltage / wattage)	Phoenix Part No.
12 / 300	1001200
12 / 300 - 1 (9 1/2' cord included)	1001201

Accessories:

Accessory	Phoenix Part No.
Wire Lens Guard, WG-7	1055500

Lamping Data:

Screw Terminal Lamps (12 volt) When ordering lamps, reference Phoenix Part Numbers			Degrees Beam Spread	Max. Beam Candlepower
Lamp Type	Watts	Phoenix Part No.	Photometric Data	
PAR 56 - wide flood	300	4202200	52 x 27	12,700
PAR 56 - wide flood	240	contact factory	50 x 27	13,000
PAR 56 - medium flood	240	contact factory	28 x 15	46,000
PAR 56 - very narrow spot	240	4220008	17 x 10	140,000

TECHNICAL DATA

Wiring:

- 3 1/2 foot (1.10 m) long, #10-SO 2 conductor cord (special for 25 amp load). No connector

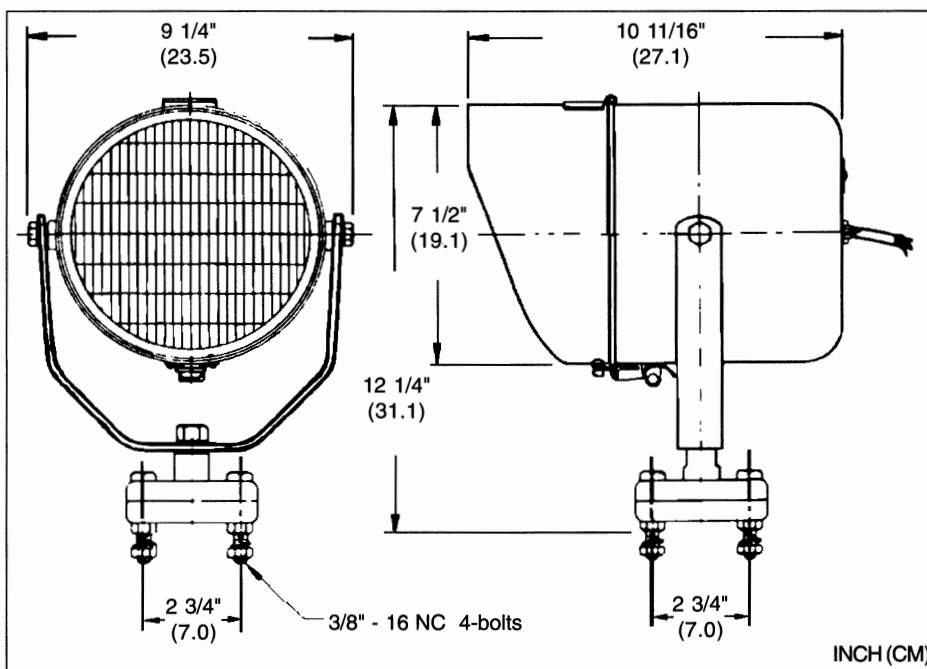
Dimensions:

- Width: 9 1/4" (23.5 cm)
- Height: 12 1/4" (31.1 cm)
- Depth: 10 11/16" (27.1 cm)

Fixture Weight: 12 lbs. (5.4 kg)

Color:

- Phoenix Green



Photometric Data:

Complete photometric information is available on all Phoenix fixtures on a 3.5" PC-compatible disk. Includes data in I.E.S.N.A. format and a unique data report generator, which draws candela curves.

Please contact our customer service department for a FREE disk for your unlimited use.

Phone: (414) 438-1200

Fax: (414) 438-0213

Type	Catalog Number
_____	_____
_____	_____
_____	_____

PHOENIX

Phoenix Products Company, Inc
 8711 West Port Avenue
 Milwaukee, WI 53224 USA
 Tel: 414/973-3300
 Fax: 414-973-3210
 www.phoenixproducts.com