

PHOENIX

120 / 56 / 300
STURDILITE
FLOODLIGHT



Applications

- Off-Road Haulers
- Blast Hole Drills
- Utility & Emergency Vehicles
- Small Shovel Cabs
- Towers
- Wheel Buckets

Phoenix Sample Specification — 120 / 56 / 300

Heavy-duty Sturdilite® floodlight. Available for use with mogul end prong base PAR 56 type lamps in 300 or 500 watts (120 volts). Housing, bracket, and major components are made of heavy-gauge steel. Hardware is zinc-plated and chromate dipped. Thermoset, powder-coated finish. Spring supported mogul end prong socket. Grounded, resilient mounting base. Dual axis mounting bracket. Hinged door, visor, and toggle latch standard.

Government NSN#: 6230-00-563-8085.

SPECIAL FEATURES

- A long-throw floodlight of high intensity for rough service
- Low-maintenance; 30-second lamp replacement
- Dual axis mounting bracket provides aiming versatility
- Hinged door visor with lockable toggle latch keep lamp securely in place
- "Instant-On" fixture is an immediate source of light

DURABILITY

- Grounded resilient mounting base provides primary shock and vibration isolation
- Housing, bracket, and major components are made of heavy gauge steel to stand up to punishing mining environments
- Hardware is zinc plated and chromate-dipped for rust and corrosion prevention
- Spring supported mogul end prong socket prevents shorting out or loose connections during heavy vibration

ACCESSORIES

- Wire Lens Guard

PHOENIX ... DURABILITY BY DESIGN

ORDERING INFORMATION

Model	Voltage	Lamp Type	Wattage	Phoenix Part No.
120 / 56 / 300	120	PAR 56	300 max.	1000400

"Alaska" low-temperature units available. Contact Factory.

Government NSN #: 6230-00-563-8085

Accessories:

Accessory	Phoenix Part No.
Wire Lens Guard, WG-7	1055500

Lamping Data:

PAR 56 Mogul End Prong Lamps					NEMA Rating	Max. Beam Candlepower
When ordering lamps, reference Phoenix part numbers						
Lamp Type	Beam Pattern	Bulb Type	Watts	Phoenix Part No.	Photometric Data	
Halogen	Medium Flood	PAR 56	500	4202400	3 x 2	47,163
Halogen	Narrow Spot		500	4202600	3 x 1	96,112
Incandescent	Medium Flood		300	4200400	3 x 2	25,638
	Wide Flood		300	4200300	4 x 3	7,358
	Narrow Spot			4200600	2 x 2	56,007

TECHNICAL DATA

Wiring:

- 3 1/2 foot (1.10 m) long, 3 conductor heavy-duty SO cord

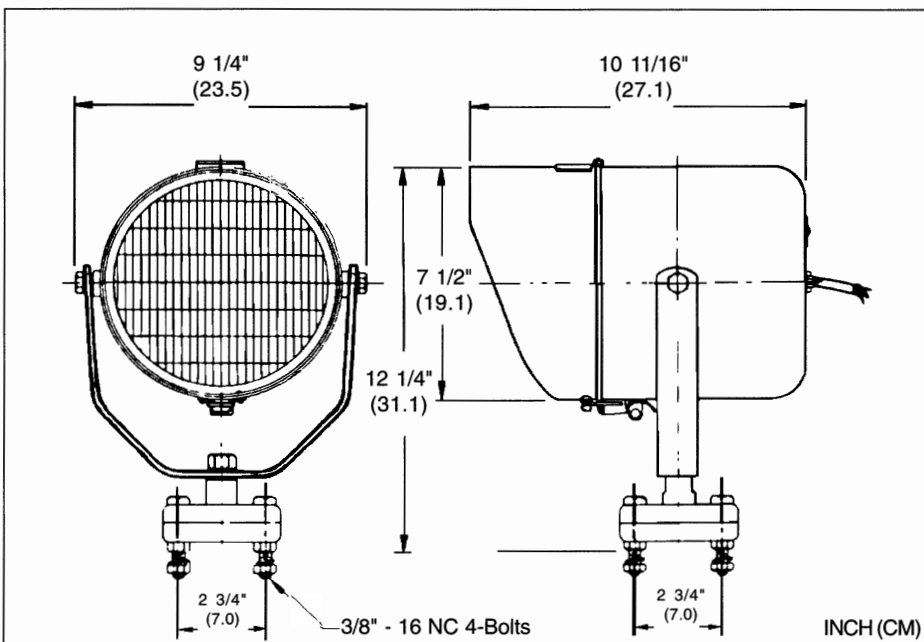
Dimensions:

- Width: 9 1/4" (23.5 cm)
- Height: 12 1/4" (31.1 cm)
- Depth: 10 11/16" (27.1 cm)

Fixture Weight: 10 lbs. (4.5 kg)

Color:

- Phoenix Green



Photometric Data:

Complete photometric information is available on all Phoenix fixtures on a 3.5" PC-compatible disk. Includes data in I.E.S.N.A. format and a unique data report generator, which draws candela curves.

Please contact our customer service department for a FREE disk for your unlimited use.

Phone: (414) 438-1200

Fax: (414) 438-0213



Phoenix Products Company, Inc
 8711 West Port Avenue
 Milwaukee, WI 53224 USA
 Tel: 414/973-3300
 Fax: 414-973-3210
 www.phoenixproducts.com

Type	Catalog Number
_____	_____
_____	_____
_____	_____