

# PHOENIX

## 120 / 500 B STURDILITE FLOODLIGHT



### Applications

- General Purpose Mining
- Utility & Maintenance Vehicles
- Emergency Equipment
- Tractors & Loaders
- Heavy Moving Equipment
- Lighting Towers
- Small Shovels
- Wheel Buckets

### Phoenix Sample Specification — 120 / 500B

Heavy-duty Sturdilite® floodlight. Available for use with mogul screw base R-40 type lamps in 500 watts (120 volts). Housing, bracket, and major components are made of heavy-gauge steel. Hardware is zinc-plated and chromate dipped. Thermoset, powder-coated finish. Reinforced porcelain lamp socket. Lamps supported by a spring loaded ventilated face plate. Grounded, resilient mounting base. Dual axis mounting bracket. Government NSN #: 6220-00-573-7462.

**PHOENIX ... DURABILITY BY DESIGN**

### SPECIAL FEATURES

- Accepts R-40 incandescent lamps up to 500 watts, including special rough service lamps, for instant on light whenever it is needed
- Powerful light for general purpose mining applications
- Lamps are supported by a spring loaded ventilated face plate
- Dual axis mounting bracket for aiming versatility
- Lamp retainer plate prevents lamp from loosening during rough service mining use; makes relamping easy

### DURABILITY

- Grounded resilient mounting base provides shock and vibration isolation
- Housing, bracket and major components are made of heavy gauge steel to stand up to punishing mining environments
- Hardware is zinc plated and chromate-dipped for rust and corrosion prevention
- Reinforced porcelain socket reduces the chance of lamp failure due to excessive shock
- Housing has a thermoset, powder coated finish for maximum corrosion resistance

### ACCESSORIES

- Wire Lens Guard

**ORDERING INFORMATION**

| Model      | Voltage | Wattage | Phoenix Part No. |
|------------|---------|---------|------------------|
| 120 / 500B | 120     | 500     | 1000300          |

Government NSN#: 6220-00-573-7462

**Accessories:**

| Accessory             | Phoenix Part No. |
|-----------------------|------------------|
| Wire Lens Guard, WG-1 | 1151701          |

**Lamping Data:**

| R - 40 Mogul Screw Base Lamps                       |              |       |       |                  | NEMA             | Max. Beam   |
|---|--------------|-------|-------|------------------|------------------|-------------|
| When ordering lamps, reference Phoenix part numbers |              |       |       |                  | Rating           | Candlepower |
| Lamp Type   | Beam Pattern | Watts | Volts | Phoenix Part No. | Photometric Data |             |
| Incandescent*                                       | Flood        | 500   | 120   | 4201200          | 6 x 6            | 3,683       |

\* Rough Service Type Lamp for Added Shock Protection

**TECHNICAL DATA**

**Wiring:**

- 3 1/2 foot (1.04 m) long, 3-conductor heavy-duty SO cord

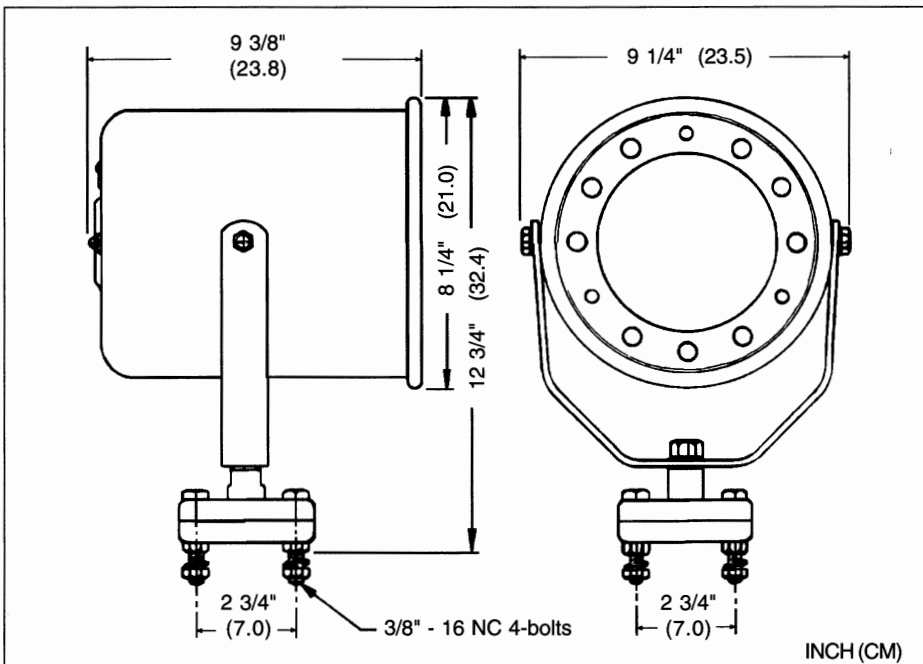
**Dimensions:**

- Width: 9 1/4" (23.5 cm)
- Height: 12 3/4" (32.4 cm)
- Depth: 9 3/8" (23.8 cm)

**Fixture Weight:** 10 lbs. (4.5 kg)

**Color:**

- Phoenix Green



**Photometric Data:**

Complete photometric information is available on all Phoenix fixtures on a 3.5" PC-compatible disk. Includes data in I.E.S.N.A. format and a unique data report generator, which draws candela curves.

Please contact our customer service department for a FREE disk for your unlimited use.

Phone: (414) 438-1200  
 Fax: (414) 438-0213

| Type  | Catalog Number |
|-------|----------------|
| _____ | _____          |
| _____ | _____          |
| _____ | _____          |



Phoenix Products Company, Inc  
 8711 West Port Avenue  
 Milwaukee, WI 53224 USA  
 Tel: 414/973-3300  
 Fax: 414-973-3210  
 www.phoenixproducts.com