

PHOENIX

120 / 150 B STURDILITE FLOODLIGHT



Applications

- Light Duty Mining Equipment
- Utility & Emergency Vehicles
- Wheel Buckets
- Trenching Equipment
- Emergency Vehicles
- Offroad Haulers

Phoenix Sample Specification — 120 / 150B

Heavy-duty Sturdilite® floodlight. Available for use with medium screw base PAR 38 type lamps 250 watts maximum (120 to 250 volt maximum). Housing, bracket, and major components are made of heavy-gauge steel. Hardware is chromate dipped and zinc plated. Housing has thermoset, powder coated finish. Reinforced porcelain lamp socket. Grounded resilient mounting base. Dual axis mounting bracket.

Government NSN#: 6220-00-573-7462.

SPECIAL FEATURES

- Built to endure dozens of mining and heavy equipment applications
- Exclusive "push button" socket adjusts automatically to pull lamp against the support ring for added lamp protection
- Lamp retainer plate prevents lamps from loosening during rough service mining use
- Dual axis mounting bracket provides aiming versatility

DURABILITY

- Grounded resilient mounting base provides shock and vibration isolation
- Housing is made of heavy gauge steel and thermoset powder coated to stand up to punishing environments
- Hardware is chromate dipped and zinc plated for rust and corrosion prevention
- Reinforced porcelain socket reduces the chance of lamp failure due to excessive shock

ACCESSORIES

- Wire Lens Guard

PHOENIX ... DURABILITY BY DESIGN

ORDERING INFORMATION

Model (volts - watts)	Phoenix Part No.
120 / 150B	1000100

Government NSN #: 6220-00-573-7462

Accessories:

Accessory	Phoenix Part No.
Wire Lens Guard, WG-1	1151701

Lamping Data:

PAR 38 Medium Screw Base Lamps			Degrees	Avg. Max.
When ordering lamps, reference Phoenix Part Numbers			Beam Spread	Candlepower
Lamp Type	Watts	Phoenix Part No.	Photometric Data	
Incandescent Flood	150	4201100	60	3,400
Incandescent Flood	250	4202700	60	6,000

230 volt lamps should be sourced locally

TECHNICAL DATA

Wiring:

- 3 1/2 foot (1.10 m) long, 3 conductor heavy-duty SO cord

Dimensions:

- Width: 9" (22.8 cm)
- Height: 12 1/4" (31.1 cm)
- Depth: 9 1/2" (24.1 cm)

Fixture Weight: 10 lbs. (4.5 kg)

Color:

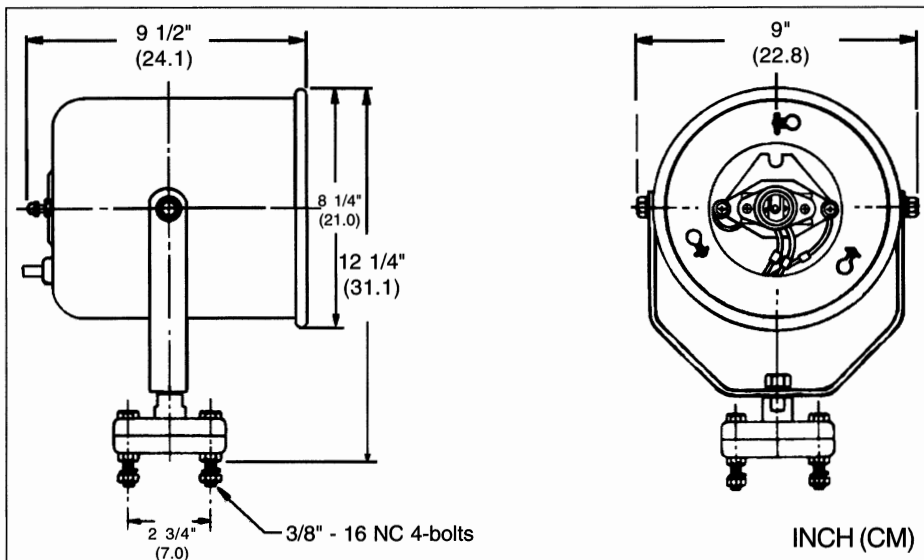
- Phoenix Green

Photometric Data:

Complete photometric information is available on all Phoenix fixtures on a 3.5" PC-compatible disk. Includes data in I.E.S.N.A. format and a unique data report generator, which draws candela curves.

Please contact our customer service department for a FREE disk for your unlimited use.

Phone: (414) 438-1200
Fax: (414) 438-0213



PHOENIX

Phoenix Products Company, Inc
8711 West Port Avenue
Milwaukee, WI 53224 USA
Tel: 414/973-3300
Fax: 414-973-3210
www.phoenixproducts.com

Type	Catalog Number
_____	_____
_____	_____
_____	_____