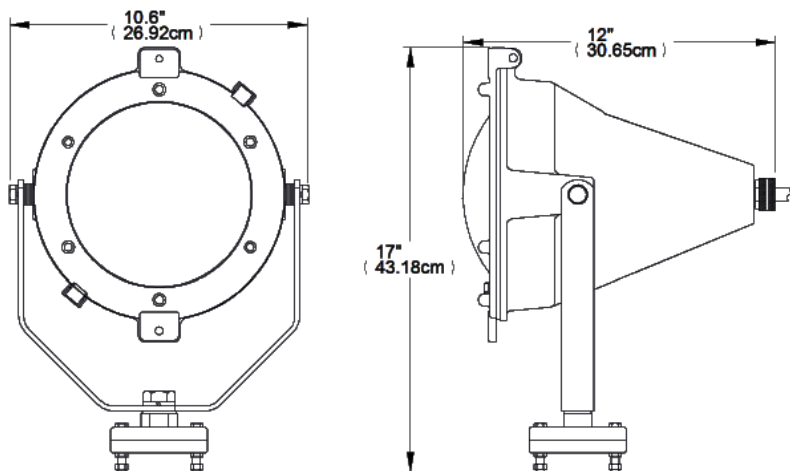


WT SERIES

STURDILITE® FLOODLIGHT



Weight: 13 lbs (5.9kg)

DESCRIPTION: The *WT Series* fixture is a rough service halogen or incandescent floodlight that provides instant-on light when needed. Easy open snap clips secure door but allow ready entry for lamp replacement. Fixture is supplied with a 4 ft. long, 18-3 power cord that enters the fixture through a weather-tight compression fitting provided for installation convenience. Typical applications include; Mining Environments, Emergency Vehicles, Ground Support Vehicles, Construction Equipment and Service Trucks.

SPECIFICATIONS

Construction: Fixture housing and door are marine-grade cast aluminum. Harp and shock mount base shell are plated steel. Fixture housing and door have yellow thermoset powder coat finish.

Lamp Type and Wattage: Available for use with PAR 56 lamps (300 or 500 Watt). Fixture may be used with lamps requiring up to 240 Volts. Lamps not included.

Lens: Convex shaped, heat resistant, heavy duty tempered glass. Withstands heat and thermal shock.

Gasket: High temperature silicone gasket provides a positive seal.

Mounting: The shock mount base provides resistance to shock and vibration to protect the lamp in severe service applications.

Wiring: 4 foot (1.2m) long, #18-3 power cord.

COMPLIANCES

UL 1598 Listed - Suitable for Wet Locations

UL 1598A Listed - Marine Outside Type Saltwater

CSA Certified - Enclosure 4X - Suitable for Wet Locations



PHOENIX®

PHOENIX®
Durability by Design

8711 West Port Avenue • Milwaukee, WI 53224 USA • Phone: 414.973.3300 • Fax: 414.973.3210
www.phoenixproducts.com

ORDERING INFORMATION

SERIES

example: WT 120/56/500
 |
 WT120/56/500

SERIES DESCRIPTION:

WT120/56/500 = Fixture for Mogul End Prong lamp
 connection PAR 56 lamps 500 watt maximum

LAMPING DATA

LAMPS NOT INCLUDED

RECOMMENDED LAMPS						NEMA Type	Max Beam Candlepower
When ordering lamps, reference Phoenix P/N							
Model	Lamp Type	Base Type	Beam Pattern	Watts	Phoenix Part No.	Photometric Data	
WT 120 / 56 / 500	Halogen	Mogul End Prong	Wide Flood	500	4202500	5 x 3	14,693
			Medium Flood		4202400	3 x 2	47,163
			Narrow Spot		4202600	3 x 1	96,112
	Incandescent		Wide Flood	300	4200300	4 x 3	7,358
			Medium Flood		4200400	3 x 2	25,638
			Narrow Spot		4200600	2 x 2	56,007

ACCESSORIES

Ordered separately for field installation

ACCESSORY	PHOENIX P/N
Wire Lens Guard, WG-6	1070200