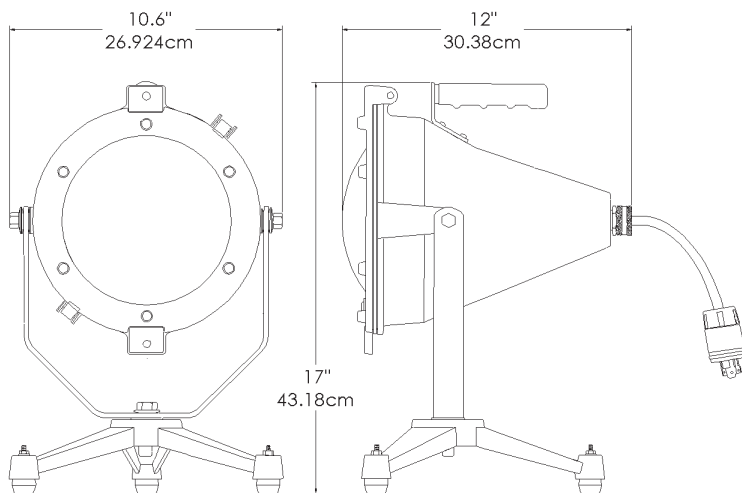


WT SERIES

PORTABLE

STURDILITE® FLOODLIGHT



Weight: 15 lbs (6.8kg)

DESCRIPTION: The *WT Portable Series* fixture is a rough service halogen or incandescent floodlight that is easy to handle and light weight. Provides instant-on light when needed. The fixture features a heavy duty carrying handle and a tip resistant cast aluminum tripod base. Rubber feet are removable for clamping or fastening, if desired. Vertical adjustment is achieved with a knob-free, spring-loaded pivot. Two easy open plated steel spring clips secure door for a tight seal, but allow for easy lamp access. A weather tight male twist-lock connector is provided. Typical applications include: Fire Departments, Maintenance Areas, Emergency Vehicles, Service Trucks, Ground Support Vehicles and Confined Entry Space Lighting.

SPECIFICATIONS

Construction: Fixture housing, door and tripod base are marine-grade cast aluminum. Harp is plated steel. Fixture housing and door have yellow thermoset powder coat finish.

Lamp Type and Wattage: Available for use with either PAR 56 or R-40 Lamps (300 or 500 Watt). Lamps not included.

Lens: Convex shaped, heat resistant, heavy duty tempered glass. Withstands heat and thermal shock.

Gasket: High temperature silicone gasket provides a positive seal.

Mounting: Phoenix tripod base provides strong support.

Wiring: 8" #18-3 power cord with weather-tight male twist-lock connector

OPTIONS

- 14 foot cord and plug

COMPLIANCES

UL 1598 Listed - Suitable for Wet Locations
CSA Certified - Indoor/Outdoor, Enclosure 4X -
Suitable for Wet Locations



PHOENIX®

PHOENIX®

Durability by Design

8711 West Port Avenue • Milwaukee, WI 53224 USA • Tel: 414.973.3300 • Fax: 414.973.3210

www.phoenixproducts.com

ORDERING INFORMATION

SERIES

OPTIONS

example:

WT120/500P

14P*

WT120/56/500P
WT12/56/300P

14P*

SERIES DESCRIPTION:

WT120/56/500P = Fixture for mogul end prong lamp connection PAR 56 lamps 500 watt maximum.

WT12/56/300P = 12 Volt DC fixture for screw terminal lamp connection incandescent lamps 300 watt maximum. **NOT UL LISTED.**

OPTIONS

14P* = 14 foot cord and plug.

*Only available on 12 volt fixture.

LAMPING DATA

LAMPS NOT INCLUDED

RECOMMENDED LAMPS						NEMA Type	Max Beam Candlepower
When ordering lamps, reference Phoenix P/N							
Model	Lamp Type	Base Type	Beam Pattern	Watts	Phoenix Part No.	Photometric Data	
WT120/56/500P	Halogen	Mogul End Prong	Wide Flood	500	4202500	5 x 3	14,693
			Medium Flood		4202400	3 x 2	47,163
			Narrow Spot		4202600	3 x 1	96,112
	Incandescent		Wide Flood	300	4200300	4 x 3	7,358
			Medium Flood		4200400	3 x 2	25,638
			Narrow Spot		4200600	2 x 2	56,007
WT12/56/300P		Screw Terminal	Wide Flood	300	4202200	4 x 3	12,700

ACCESSORIES

Ordered separately for field installation

ACCESSORY	PHOENIX P/N
Wire Lens Guard, WG-6	1070200

N5462800F

PHOENIX®