

PHOENIX

SRS 46 SERIES STURDILITE FLOODLIGHT



Model SRS 46 V shown

Applications

- Tractors & Loaders
- Blast Hole Drills
- Utility & Maintenance Vehicles
- Bull Dozers
- Truck Cranes
- Small Shovels

Phoenix Sample Specification — SRS 46 SERIES

Low-voltage Sturdilite® floodlight. Accepts screw terminal or contact lug PAR 46 type lamps in 60 or 150 watts (12 - 32 volts). Housing, bracket, and major components are made of heavy-gauge steel. Hardware is zinc-plated and chromate dipped. Thermoset, powder-coated finish. Reinforced porcelain contact lug automotive type lamp socket. Multiplane, "free-floating" lamp diaphragm. Grounded, resilient mounting base. Dual axis mounting bracket. Optional SRS models come standard with a 360° positioning visor and / or a ceramic resistor for voltage changes.

PHOENIX ... DURABILITY BY DESIGN

SPECIAL FEATURES

- A compact super-rough service fixture for any small to medium size mining equipment
- Accepts low-voltage PAR 46 incandescent lamps for instant-on light whenever it is needed
- Designed to take the abuse of rough service mining environments
- Contact lug type lamp socket is furnished standard with all models for easy mounting on automotive machinery
- Dual axis mounting bracket for aiming versatility

DURABILITY

- Grounded resilient mounting base provides shock and vibration isolation
- Housing, bracket and major components are made of heavy gauge steel to stand up to punishing mining environments
- Hardware is zinc plated and chromate-dipped for rust and corrosion prevention
- Reinforced porcelain socket reduces the chance of lamp failure due to excessive shock
- Multiplane, "free-floating" lamp diaphragm permits cushioned lamp movement

OPTIONS

- SRS 46-V: includes 360° positioning visor
- SRS 46-RV: includes 360° visor and a ceramic resistor to allow use of 24-28 volt lamp on 32 volt current

ORDERING INFORMATION

Model (lamp type - options)	Phoenix Part No.
SRS 46	1000800
SRS 46 V	1002100
SRS 46 R V	1000900

R = Ceramic Resistor allows use of 24-28 volt lamp on a .32 volt current (150 watt maximum)

V = Includes 360° positioning visor

TECHNICAL DATA

Wiring:

- 3 1/2 foot (1.10 m) long, 2 conductor heavy-duty SO cord

Dimensions:

- Width: 8 7/8" (22.5 cm)
- Height: 12 9/16" (31.9 cm)
- Depth: 5 1/8" (13.0 cm)

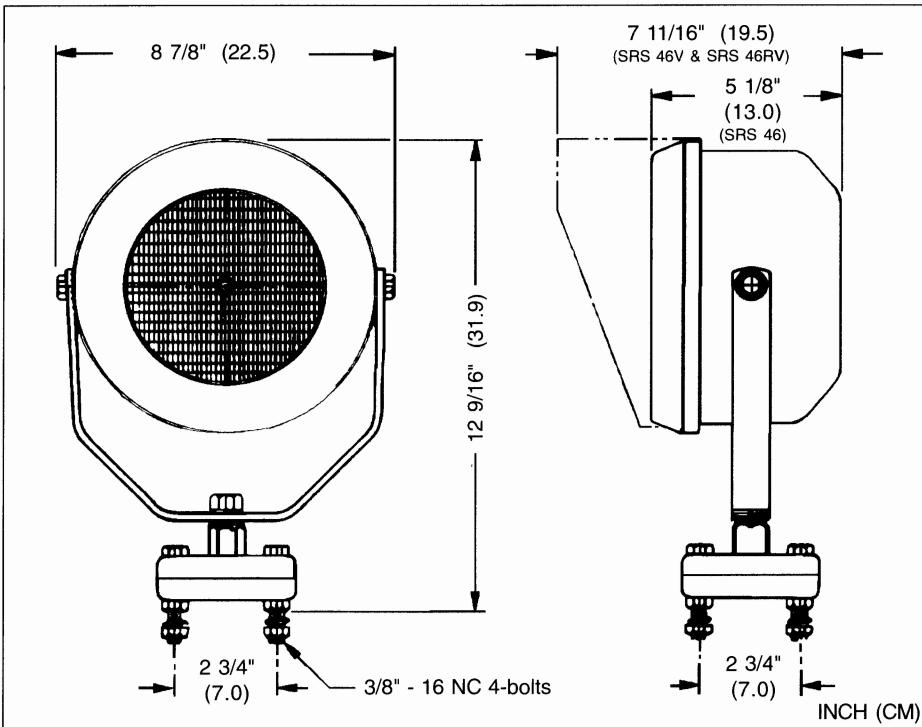
Fixture Weight: 9 lbs. (4.1 kg)

Color:

- Phoenix Green

Lamping Data:

PAR 46 Lamps					Deg. Beam Spread	Max. Beam Candlepower
When ordering lamps, please reference Phoenix Part Numbers						
Lamp Type	Base Type	Volts	Watts	Phoenix Part No.	Photometric Data	
C. I. M. / Flood	2 Contact Lugs	12 - 16	60	4202100	55 x 25	1,600
C. I. M. / Flood	2 Contact Lugs	24 - 28	60	4201900	55 x 25	1,600
Special Service / Medium Flood*	Screw Terminal	24 - 28	150	4203300	80 x 20	7,000
Rough Service / Spot	Screw Terminal	32	150	4203600	10 x 11	100,000



Photometric Data:

Complete photometric information is available on all Phoenix fixtures on a 3.5" PC-compatible disk. Includes data in I.E.S.N.A. format and a unique data report generator, which draws candela curves.

Please contact our customer service department for a FREE disk for your unlimited use.

Phone: (414) 438-1200

Fax: (414) 438-0213

PHOENIX

Phoenix Products Company, Inc
 8711 West Port Avenue
 Milwaukee, WI 53224 USA
 Tel: 414/973-3300
 Fax: 414-973-3210
 www.phoenixproducts.com

Type	Catalog Number
_____	_____
_____	_____
_____	_____