



### REMOTE BALLAST REQUIRED

#### Applications

- Large Construction Machinery
- Shovels
- Traveling Cranes
- Maintenance Vehicles
- Draglines
- Blast Hole Drills
- Wheel Buckets

#### Phoenix Sample Specification — SRS 400M

Sturdilite® direct beam floodlight. Super-rough service model utilizing Mercury Vapor, 400 watt, R-60 type reflector lamps. Housing and hardware made of heavy gauge steel and aluminum. Multiplane, "free-floating", lamp diaphragm assembly. Grounded resilient shock mount base. Dual-axis positioning bracket. Heat dissipation holes on housing for cooler operation. Wing nut screws standard. Specify PHOENIX shock and vibration resistant, marine rated remote ballast for a complete installation.

**PHOENIX ... DURABILITY BY DESIGN**

#### SPECIAL FEATURES

- Super-rough service mercury vapor model provides over twice the light of a 500 watt incandescent fixture
- Dual-axis positioning bracket enables you to aim fixture exactly where you need light
- Wing nut screws enable relamping and maintenance to be done without tools
- Heat dissipation vents for cooler operation

#### DURABILITY

- Sturdilite® resilient, shock mount base resists shock and vibration extending lamp life
- Multiplane, "free-floating", lamp diaphragm assembly assures complete lamp isolation
- Housing and major components are made of heavy gauge steel and aluminum

#### ACCESSORIES

- Wire Lens Guard

## ORDERING INFORMATION

Model (watts - lamp type)	Phoenix Part No.
SRS 400M	1001300

### Ballasts:

Model Number	Phoenix Part No.
1-400MV-15 (480v)	1058851
1-400MV-10 (120,208,240,277v)	1058852
1-400MV-50 (50 Hz)	1058323

### Lamping Data:

Mogul Screw Base R - 60 Lamps When ordering lamps, reference Phoenix Part Numbers			NEMA Rating	Max. Beam Candlepower
Lamp Type	Watts	Phoenix Part No.	Photometric Data	
Mercury Vapor - wide flood	400	4204100	5 x 5	35,630
Mercury Vapor - spot	400	4204200	3 x 3	88,000

### Accessories:

Accessory	Phoenix Part No.
Wire Lens Guard, WG-3*	1052400
Visor, V-400	1056000

\* Wire Lens Guard cannot be used with visor attached.

## TECHNICAL DATA

### Wiring:

- 3 1/2 foot (1.04 m) long, 3-conductor heavy-duty SO cord

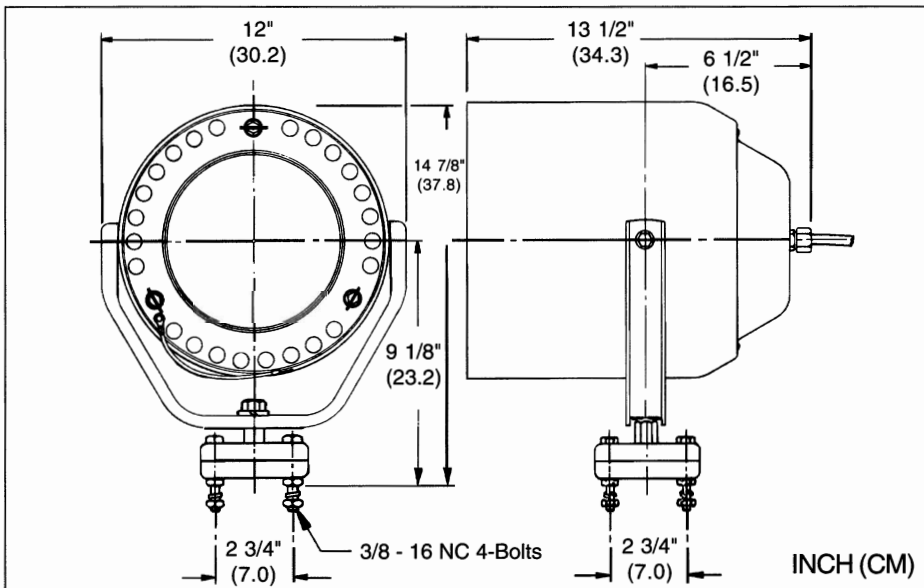
### Dimensions:

- Width: 12" (30.5 cm)
- Height: 14 7/8" (37.8 cm)
- Depth: 13 1/2" (34.3 cm)

**Fixture Weight:** 14 lbs. (6.4 kg)

### Color:

- Phoenix Green



## Photometric Data:

Complete photometric information is available on all Phoenix fixtures on a 3.5" PC-compatible disk. Includes data in I.E.S.N.A. format and a unique data report generator, which draws candela curves.

Please contact our customer service department for a FREE disk for your unlimited use.

Phone: (414) 438-1200

Fax: (414) 438-0213

Type	Catalog Number
------	----------------

_____	_____
_____	_____
_____	_____

N-5610161

# PHOENIX

Phoenix Products Company, Inc  
8711 West Port Avenue  
Milwaukee, WI 53224 USA  
Tel: 414/973-3300  
Fax: 414-973-3210  
www.phoenixproducts.com