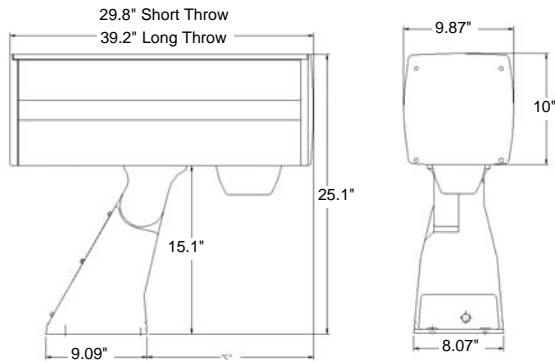


PHOENIX 100₇ CSI

CSI PROJECTION LUMINAIRE



Weight:
Short Throw: 77 lbs.
Long Throw: 97 lbs.

EPA:
Short Throw 2.763 ft²
Long Throw 3.388 ft²

*All adjustments are located within the housing; unaffected by the environment.

DESCRIPTION: The Phoenix 100 CSI is an outdoor architectural framing projector using a CSI-type, PAR 64 1000 watt metal halide lamp with a 6 degree beam angle. A fully encapsulated electronic ignitor is mounted in the base of the fixture. The Phoenix 100 CSI is perfect for architectural applications where superior framing and special effects with precise beam control and no light trespass are needed. Ideal applications include projecting logos, illuminating signs and highlighting architectural features.

SPECIFICATIONS

HOUSING: Copper-free, sealed and gasketed aluminum housing for durability and long fixture life.

FINISH: Thermoset, polyester powder-coated finish available in gray (standard), bronze and black. Other colors available upon request.

HARDWARE: All access doors and positioning adjustments utilize tamper-resistant hardware.

LENS: Zoom and focus adjustments of the lens systems can be fine-tuned on the job site.*

TEMPLATE PROJECTION CAPABILITY: Pre-designed or custom templates may be used to project company logos, colors, images, or highlight existing features.

AIMING: 90° plus and 60° minus vertical tilt adjustment, 45° side-to-side adjustment.

INTERNAL SHUTTER SYSTEM: Set of four shutters enable creation of various beam shapes.

LAMP: PAR 64, 1000W CSI Metal Halide lamp included.

ELECTRONIC IGNITOR: Fully encapsulated electronic ignitor does not require replacement following lamp change; ignitor built for years of service.

IGNITOR DURABILITY: Electronic ignitor has a consistent draw of voltage throughout life and does not wear, unlike spark gap ignitors that draw more voltage as the spark gap increases and wears out.

MAXIMUM CANDLEPOWER: Very narrow beam angle (6 degree at ½ peak intensity). Lamp provides 1,350,000 CBCP. Project lighted shapes accurately from over 200 feet away.

CHOICE OF PROJECTION PATTERNS:

Short Throw - 16-33° adjustable beam.

Long Throw - 9-17° adjustable beam.

LISTINGS: UL Listed 1572 - Suitable for Wet Location, Suitable for mounting within 4 feet of the ground.

cUL Listed for Indoor/Outdoor use. Mount on non-combustible material.

BALLAST: Remote ballast required. See back page for details.

COMPLIANCES

UL Listed

1572 - Suitable for Wet Location
- Suitable for Mounting within 4 feet of the ground.

cUL Listed

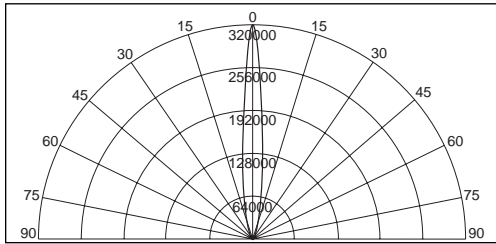
Indoor/Outdoor Use
Mount on non-combustible material.

LAMPING DATA

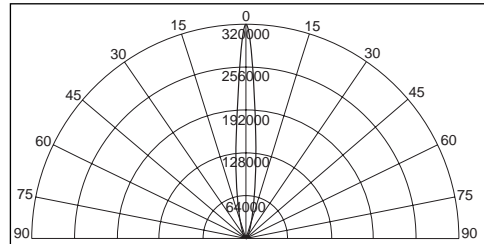
(Lamp Included with Fixture)

DESCRIPTION	LAMP TYPE	WATTS	PART #
CSI Metal Halide	PAR 64	1000	4220042

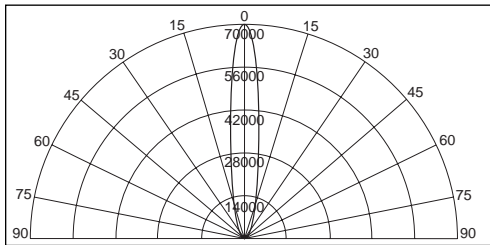
PHOTOMETRICS



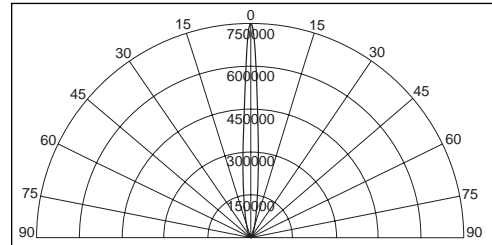
FRC1000L at 17°
NEMA Type = 1x1
Rated Peak Intensity Candellas: 1,350,000



FRC1000S at 16°
NEMA Type = 1x1
Rated Peak Intensity Candellas: 1,350,000



FRC1000S at 33°
NEMA Type = 3x3
Rated Peak Intensity Candellas: 1,350,000



FRC1000L at 9°
NEMA Type = 0x0
Rated Peak Intensity Candellas: 1,350,000

ACCESSORIES

- EK-B = Base Extension Kit
- PMK-SS = Pole Mount Kit - Single Side*†
- PMK-DS = Pole Mount Kit - Double Side**† (for 2 fixtures)
- PMK-T = Pole Mount Kit - Top†
- Contact Factory for Dichroic Filters 6.6"
- Contact Factory for Glass or Metal Custom Templates

*Pole Mount EPA: .294 ft²

**Pole Mount EPA: .588 ft²

†Ballast to be Mounted in Remote Location.

BALLAST



BALLAST (Order Separately)

Marine grade low copper content extruded aluminum alloy

BLSTA1000MHCSIDV= CSI 1000W Dual Volt Ballast (120,277V)

REMOTE BALLAST

41.5 lbs.

12" long

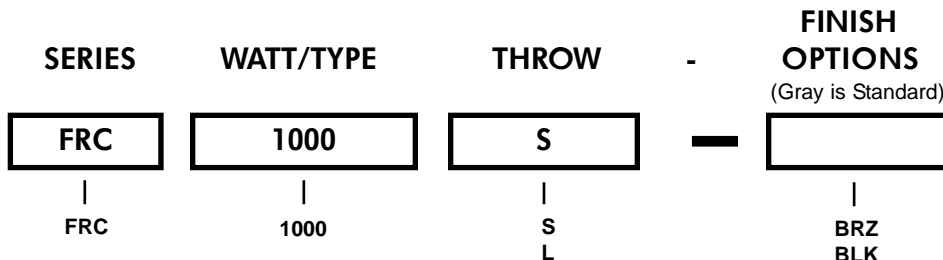
E.P.A. = .83 ft²

Specify Color when Ordering Ballast. (anodized standard finish)

Maximum Distance: 325 feet (using #10 wire)

ORDERING INFORMATION

example:



WATTS/TYPE

(Lamp included with fixture)

1000 = 1000W MH PAR64 CSI SEALED BEAM

THROW

S = SHORT THROW

L = LONG THROW

FINISH

OPTIONS

BRZ = BRONZE FINISH

BLK = BLACK FINISH

N5610293B