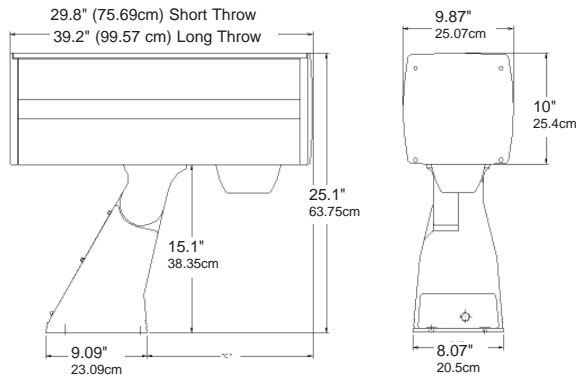


PHOENIX 100™

Framing Projector Luminaire



Weight:
 Short Throw: 67 lbs (30.40 kg)
 Long Throw: 72 lbs (32.7 kg)

EPA:
 Short Throw 2.763 ft2
 Long Throw 3.388 ft2

*All adjustments are located within the housing; unaffected by the environment.

General: The Phoenix 100™ is an outdoor-rated architectural framing projector which provides the ability to produce special lighting effects. Perfect for architectural applications where superior framing with precise beam control and no light trespass are needed. Available in HQI-T MH or Incandescent EGG Quartz lamps. Lock-on tilt adjustment can withstand a force up to 200 pounds. Ideal applications include Customized Logo Projection, Emergency/Warning Projection, Flags, Flagpoles, Sculpture Outlining, Facades, Murals, Entryways, and Building Highlighting.

Construction: Housing and base are marine-grade aluminum.

Finish: Thermoset polyester powder coat. Gray is standard, other colors available upon request.

Hardware: All external hardware is tamper resistant stainless steel.

Lens: Zoom and focus adjustments of the lens system can be fine-tuned on the job site. All beam pattern and focusing adjustments are located within the fixture housing to protect them from dust and moisture.

Template Projection Capability: Pre-designed or custom templates may be used to project company logos, colors, images, or highlight existing features of interest.

Aiming: 90° plus and 60° minus vertical tilt adjustment, as well as 45° side-to-side azimuth adjustment.

Internal Shutter System: Set of four positive locking shutters enable creation of various beam shapes.

Lamp: Accepts 250 watt HQI-T metal halide (277V max.) and 750 watt incandescent EGG quartz (120V max.). Lamps are included.

Mounting: Heavy-duty base for rough environments.

Ballast: FRH 250 integral ballast for easy access and maintenance; quad (120/208/240/277V; 60Hz) standard. Ballast ordered separately.

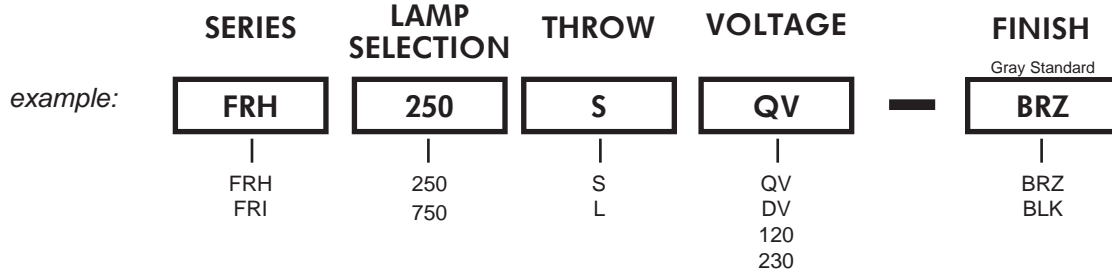
Listings: 1598 - Suitable for Wet Locations
 Suitable for Mounting within 4' of ground
 (except 50Hz Models)
 CSA Certified - Outdoor Use Only (except 50Hz models).



PHOTOMETRICS

Please contact factory or visit our website at www.phoenixproducts.com.

ORDERING INFORMATION



SERIES

FRH = HID Framing Projector
FRI = Incandescent Framing Projector (120v or 230v only)

LAMP SELECTION (lamp included with fixture)

250 = 250w (HID Only) HQI-T MH
750 = 750w (Incandescent Only) EGG Quartz

THROW

S = Short Throw
L = Long Throw

VOLTAGE

QV = Quad volt (HID only) 120/208/240/277V, 60Hz
DV = Dual volt (HID only) 120/277V, 60Hz
120 = 120 volt (Incandescent only)
230 = 230 volt (50 Hz incandescent applications only)

FINISH (Gray Standard)

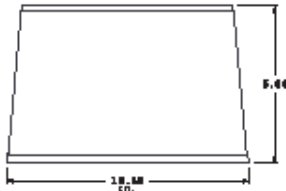
BRZ = Bronze
BLK = Black

ACCESSORIES

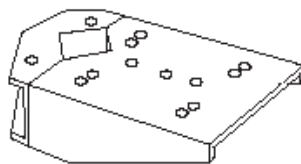
(FIELD INSTALLED)

- EK-B = Base Extension Kit
- PMK-SS = Pole Mount Kit - Single Side* (for 1 fixture)
- PMK-DS = Pole Mount Kit - Double Side** (for 2 fixtures)
- PMK-T = Pole Mount Kit - Top (for 1 fixture)
- CK = Control Kit (illustration not shown below)
includes shutters, inserts, holders and tools
Part Number 1090018

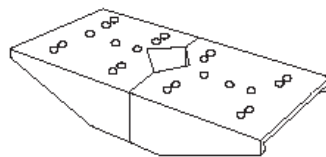
Contact Factory for Dichroic Filters 6.6" Diameter
Contact Factory for Glass or Custom Templates



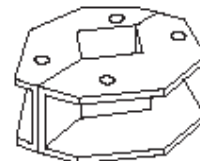
EK-B
Base Extension Kit
Part Number 1090022



PMK-SS
Pole Mount Kit - Single Side
Part Number 1090025



PMK-DS
Pole Mount Kit - Double Side
Part Number 1090026



PMK-T
Pole Mount Kit - Top
Part Number 1090027

*Single Side Mount EPA: .294 ft²
**Double Side Mount EPA: .588 ft²

BALLAST



REMOTE BALLAST

41.5 lbs.
12" long
E.P.A. = .83 ft²

BALLAST (Order Separately)

Marine-grade, low-copper content extruded aluminum alloy
Specify Color when Ordering Ballast. (anodized standard finish)
Maximum Distance: 325 feet (using #10 wire)

N5610040E

PHOENIX
Durability by Design

8711 West Port Avenue • Milwaukee, WI 53224 USA • Phone: 414.973.3300 • Fax: 414.973.3210
www.phoenixproducts.com

PHOENIX
Intrigue
SERIES™