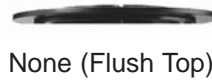


LARGE EUROTECH

Pole Mount



(shown with optional shade and standard triple ring)



None (Flush Top)



Dome Top



Cone Top

General: The high impact look of the EuroTech is perfect for area and security lighting with great designer flare.

Construction: Cast marine-grade, low-copper content aluminum top, housing, shade, and mounting gear. Stainless steel external hardware to protect against corrosion.

Lens: Clear polycarbonate lens is standard on HID. Opal polycarbonate, clear, and opal acrylic lens options available (consult factory for maximum wattage). Clear glass is standard for 250W units.

Optics: Stacked internal louvers standard. Type 3 and Type 5 internal glass refractor options available.

Lamps: Accepts up to 250W PSMH and HPS ET18 lamps.

Ballast: Ballasts are integrally mounted. 100-250W units standard with quad volt (120/208/240/277V) 60HZ ballast.

Tops: Three top styles available: cone, dome, and none (flush top).

Mounting: Pole mount - single post top mount.

Poles: Sold separately. See Phoenix "Pole Specification Guide".

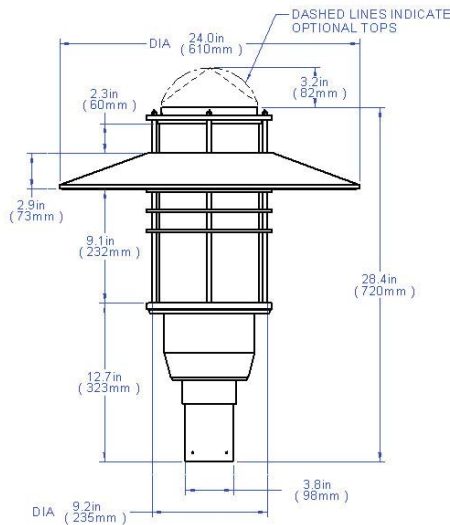
Shade: Optional cast aluminum shade (shown in photo), copper shade, and flat spun shade

Finish: Textured polyester powder coat finish. Optional shade underside is standard white. Black, bronze, gray, white, silver, and verde green options available. For custom colors, please contact factory.

Gaskets: EPDM gaskets are standard.

E.P.A and Weight: EPA = .94ft²;
Weight = 43lbs.

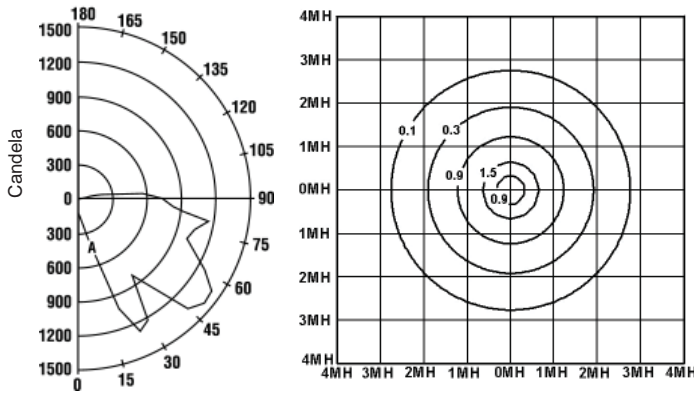
Listings: UL Listed 1598 for Wet Locations. Indoor/Outdoor listed for use in Canada.



Standard tenon = 2-3/8"
3" tenon required for 250HPS



PHOTOMETRICS



LETPT250HPS-SHD*
 250W Mogul Base HPS
 NEMA Type: 7x7
 Lumens - 28000
 Mounting Height = 20'
 * Insert Top Style

ORDERING INFORMATION

					OPTIONS				
SERIES	MOUNT	WATT/TYPE	TOP STYLE	LENS (see below)	OPTICS (stacked louvers standard)	OPTIONS (RNG standard)	VOLTAGE (see below)	FINISH	
Example: LET	PT	100MH	N	OP	TY3	SHD	347V	VGN	
LET	PT	100MH 150PSMH 250PSMH* 100HPS 150HPS 250HPS*	C D N	OP CA OA GL	TY3 TY5	SHD SHDCU SHDFLT NR HSHLD	347V 480V	BLK BRZ WHT VGN GRY SIL CC	

Mounting

PT = Post Top Mount - Single post top mount

Lamp Wattage/Type (Lamps included)

- 100MH = 100W Metal Halide (ED17, medium base)
- 150PSMH = 150W Pulse Start Metal Halide (ED17, medium base)
- 250PSMH*1 = 250W Pulse Start Metal Halide (ET18, Mogul base)
- 100HPS = 100W High Pressure Sodium (ED17, medium base)
- 150HPS = 150W High Pressure Sodium (ED17, medium base)
- 250HPS = 250W High Pressure Sodium (ET18, Mogul base)*

Optics

HID: Stacked louvers standard

- TY3 = Type 3 internal glass refractor
- TY5 = Type 5 internal glass refractor

* 250HPS & 250PSMH requires a 3" tenon.

(Standard tenon = 2-3/8")

1250PSMH does not contain louvers.

Top Style

- C = Cone Top
- D = Dome Top
- N = None (flush top)

Lens

HID: Clear Polycarbonate standard
 IL: Opal Polycarbonate standard

- OP = Opal Polycarbonate Lens
- CA = Clear Acrylic Lens (contact factory)
- OA = Opal Acrylic Lens
- GL = Glass (required for 250W)

Options

- SHD = Aluminum Shade
- SHDCU = Copper Shade
- SHDFLT = Flat Spun Shade
- NR = No Rings
- HSHLD = House Side Shield

Finish

- BLK = Black
- BRZ = Bronze
- WHT = White
- VGN = Verde Green
- GRY = Gray
- SIL = Silver
- CC = Custom Colors (contact factory)

Voltage

HID: 100W+ = 120/208/240/277V; 60Hz

- 347V = 347 Volt (Contact Factory)
- 480V = 480 Volt (Contact Factory)

N5610439E

