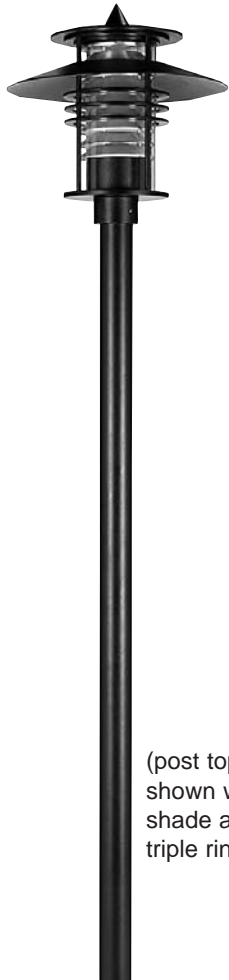


EUROTECH - Pole Mount



(post top mount shown with optional shade and standard triple ring)



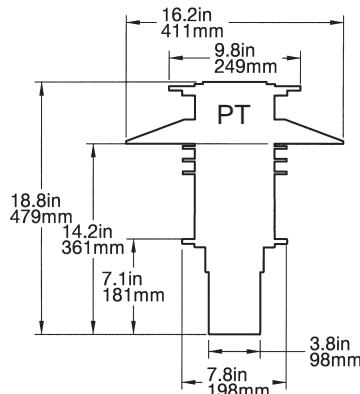
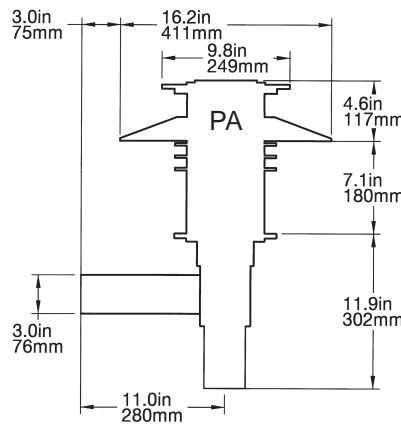
Finial Point Top None (Flush Top)



Dome Top Cone Top



Flat Top Beveled Top



Lamp Watt/Type	Tenon
50HPS	2 3/8"
70HPS	2 3/8"
100HPS	3"
50MH	2 3/8"
70MH	2 3/8"
100MH	3"

Lamp Watt/Type	Pole Top
150HPS	5"
150MH	5"

General: The high impact look of the EuroTech is perfect for area and security lighting with great designer flare.

Construction: Cast marine-grade, low-copper content aluminum top, housing, shade and mounting gear. Stainless steel external hardware to protect against corrosion.

Lens: Clear polycarbonate lens is standard on units up to 70W; clear glass is standard on 100-150W units. Opal polycarbonate lens option available up to 70W.

Lamps: HID and fluorescent lamps included. Accepts up to 150W PSMH and 150W HPS lamps, 26-42W compact fluorescent lamps and 150W (max.) incandescent lamps.

Ballast: Ballasts are integrally mounted up to 150W PSMH and 100W HPS (QV). Remote mounting of 120/277V ballast required on 150W HPS. Dual volt (120/277V) standard with 50MH and 50W HPS. Compact fluorescent units standard with universal (120-277V) 50/60HZ electronic ballast.

Tops: Six top styles available: beveled, cone, dome, flat, none (flush top) and finial point.

Mounting: Two pole mount styles available: straight arm and post top. Post Top 150W units require 5" diameter pole with open top. Pole Arm 150W units require a minimum of 5" diameter pole. See order information for quantities and configuration details.

Poles: Sold separately. See Phoenix "Pole Specification Guide".

Shade: Available options include cast aluminum shade (shown in photo), copper shade and flat spun shade.

Finish: Textured polyester powder coat finish. Optional shade underside is standard white. Black, bronze, gray, white, silver, and verde green options available. For custom colors, please contact factory.

Gaskets: Silicone o-ring gaskets are standard.

E.P.A and Weight:

EPA: PA=0.62ft², PT=0.40ft²

Weight (excludes 150PSMH): PA=23lbs., PT=21lbs.

Weight (150PSMH): PA=35lbs., PT=21lbs

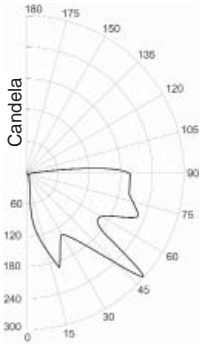
Listings: UL Listed 1598 for Wet Locations. Indoor/Outdoor listed for use in Canada.



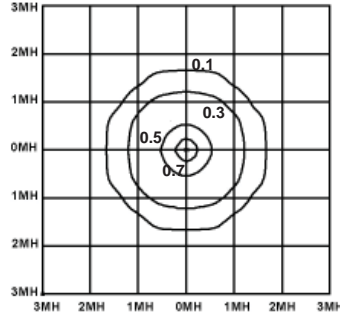
WALL MOUNT AND BOLLARD FIXTURE AVAILABLE



PHOTOMETRICS



ETPT70MH*-SHD
70W Medium Base MH
NEMA Type: 4x4
Lumens - 5500
* Insert Top Style



ETPT70MH*-SHD
70W Medium Base MH
Lumens - 5500
* Insert Top Style
Mounting Height = 15'

For mounting heights (MH) other than 15' use:

$$\left(\frac{15}{\text{Actual Height}}\right)^2 \times \text{FC chart value}$$

For lamp watts other than shown in chart use:

$$\left(\frac{\text{Actual Lumens}}{5500}\right) \times \text{FC chart value}$$

FC = Footcandle

ORDERING INFORMATION

Example:	SERIES	MOUNT	WATT/ TYPE	TOP STYLE	OPTIONS		
					LENS (clear polycarbonate standard)	OPTIONS (RNG standard)	FINISH
	ET	PA	70MH	P	OP	SHD	VGN
	ET	PA PT	50MH 70MH 100MH 150PSMH* 50HPS 70HPS 100HPS 150HPS* INC 26CFL 32CFL 42CFL	B C D F N P	OP GL CA	SHD 23SHD SHDCU SHDFLT HSLD NR TRH	BLK BRZ WHT VGN GRY SIL CC

Mounting

PA = Straight Arm Pole Mount
PT = Post Top Mount - Single post top mount

Lamp Wattage/Type

50MH = 50W Metal Halide (ED17)
70MH = 70W Metal Halide (ED17)
100MH = 100W Metal Halide (ED17)
150PSMH*1 = 150W Pulse Start Metal Halide (ED17)
50HPS = 50W High Pressure Sodium (ED17)
70HPS = 70W High Pressure Sodium (ED17)
100HPS = 100W High Pressure Sodium (ED17)
150HPS* = 150W High Pressure Sodium (ED17)
INC = Incandescent (150W max.)
26CFL = 26W Compact Fluorescent (triple, 4-pin)
32CFL = 32W Compact Fluorescent (triple, 4-pin)
42CFL = 42W Compact Fluorescent (triple, 4-pin)

* PT mount requires 5" diameter pole with open top, PA mount requires minimum 5" diameter pole.

¹ Non-standard product look. Consult factory for information.

Top Style

B = Beveled Top
C = Cone Top
D = Dome Top
F = Flat Top
N = None (flush top)
P = Finial Point Top

Lens (Clear Polycarbonate Lens Standard to 70W: Clear glass only on 100-175W units)

OP = Opal Polycarbonate Lens
GL = Clear Glass Lens (required for 100W)
CA = Clear Acrylic Lens (contact factory)

Options

SHD = Shade
23SHD = 23" Diameter Shade (Contact Factory)
SHDCU = Copper Shade (Contact Factory)
SHDFLT = Flat Spun Shade
HSLD = House Shield
NR = No Rings
TRH = Tamper Resistant Hardware

Voltage

HID: 50W = 120/277V; 60 HZ standard
70W+ = 120/208/240/277V; 60HZ standard
CFL: 120-277V; 50/60 HZ standard

150W HPS = 120/277V

Finish

BLK = Black
BRZ = Bronze
WHT = White
VGN = Verde Green
GRY = Gray
SIL = Silver
CC = Custom Colors (contact factory)

N5610350F

PHOENIX
Durability by Design

8711 West Port Avenue • Milwaukee, WI 53224 USA • Phone: 414.973.3300 Fax: 414.973.3210
www.phoenixproducts.com

PHOENIX
Intrigue
SERIES™