

MYSTIQUE - Pendant Mount

General: The classic style of the flared shade Mystique blends well into a variety of architectural settings.

Construction: Cast low-copper content marine grade aluminum top, housing and shade. Stainless steel external hardware to protect against corrosion.

Lens: Layered opal glass lens is standard. Clear glass lens available.

Lamps: HID, fluorescent and induction lamps included. Accepts up to 175W MH and 150W HPS ED-17 lamps, 26-42W compact fluorescent (triple tube) lamps, 150W (max.) incandescent lamps and the 55W and 85W induction lamp systems.

Ballast: Integral ballast for easy access and maintenance. 50W HID units standard with dual volt (120/277V), 60HZ ballast; 70W-175W units standard with quad volt (120/208/240/277V), 60HZ ballast; compact fluorescent units standard with universal (120-277V), 50/60HZ electronic ballast; induction lamp units provided with 120V, 60HZ system generator. Other voltages available upon request.

Tops: One top style available: dome.

Mounting: See Pendant Mount Kit (sold separately). Pendant Mount Kit required for complete installation.

Finish: Textured polyester powder coat finish. Shade underside is standard with white finish. Black standard on housing exterior. Bronze, gray, white, silver, and verde green options available. For custom colors, please contact factory.

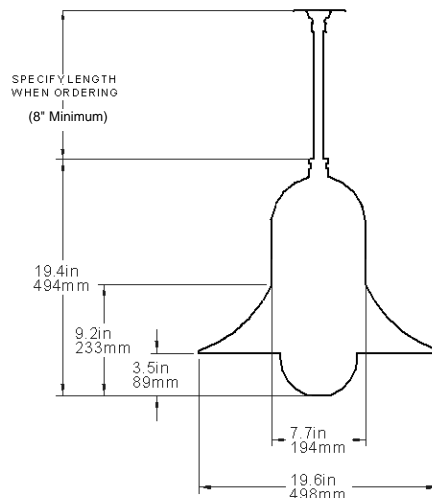
Gaskets: EPDM gaskets standard.

E.P.A. and Weight: EPA = .611 ft²; weight = 21.5lbs. (12 Kg.)

Listings: UL Listed 1598 for Wet Locations. Indoor/Outdoor listed for use in Canada.



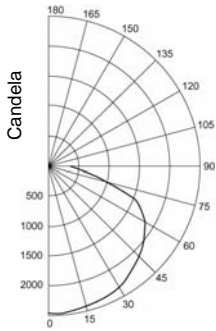
Dome Top



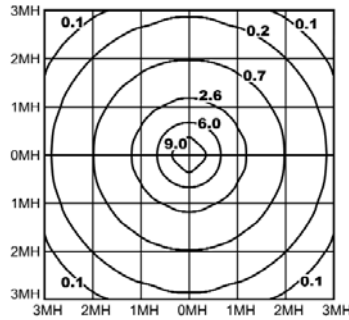
POLE AND WALL MOUNT FIXTURES AVAILABLE

PHOENIX
Intrigue
SERIES™

PHOTOMETRICS



MYPM175MH
175W Medium Base MH
NEMA Type: 7x7
Lumens - 14400



MYPM175MH
175W Medium Base MH
Lumens - 14400
Mounting Height = 15'

For mounting heights (MH) other than 15' use:

$$\left(\frac{15}{\text{Actual Height}}\right)^2 \times \text{FC chart value}$$

For lamp watts other than shown in chart use:

$$\left(\frac{\text{Actual Lumens}}{14400}\right) \times \text{FC chart value}$$

FC = Footcandle

ORDERING INFORMATION

Example	SERIES	MOUNT	WATT/ TYPE	TOP STYLE	OPTIONS		
					LENS <small>(opal standard)</small>	VOLTAGE <small>(see below)</small>	FINISH <small>(black standard)</small>
	MY	PM	100MH	D	CL	347V	BRZ
	MY	PM	50MH 70MH 100MH 175MH 50HPS 70HPS 100HPS 150HPS INC 26CFL 32CFL 42CFL 55IL 85IL	D	CL	220/240-50H 347V	BRZ WHT VGN GRY SIL CC

Lamp Wattage/Type (Lamp Included-except INC)

- 50MH = 50W Metal Halide (ED17)
- 70MH = 70W Metal Halide (ED17)
- 100MH = 100W Metal Halide (ED17)
- 175MH = 175W Metal Halide (ED17)
- 50HPS = 50W High Pressure Sodium (ED17)
- 70HPS = 70W High Pressure Sodium (ED17)
- 100HPS = 100W High Pressure Sodium (ED17)
- 150HPS = 150W High Pressure Sodium (ED17)
- INC = Incandescent (150W max.)
- 26CFL = 26W Compact Fluorescent (triple tube, 4-pin)
- 32CFL = 32W Compact Fluorescent (triple tube, 4-pin)
- 42CFL = 42W Compact Fluorescent (triple tube, 4-pin)
- 55IL = 55W Induction Lamp System
- 85IL = 85W Induction Lamp System

Mounting

- PM = Pendant Mount
(Note: Pendant Mount Kit - Sold separately required for complete installation.)

Top Style

- D = Dome Top

Voltage

- HID: 50W = 120/277V; 60 HZ standard
- 70W+ = 120/208/240/277V standard
- CFL: 120-277V; 50/60 HZ standard
- IL: 120V, 60HZ generator standard
- All HID tapped at 277V unless specified.
- 220/240-50H = 220/240V, 50HZ (HID units only)
- 347V = 347 Volt (70W HID or higher units only)

Lens (Opal Glass Standard)

- CL = Clear Glass Lens

Finish (Black Standard)

- BRZ = Bronze
- WHT = White
- VGN = Verde Green
- GRY = Gray
- SIL = Silver
- CC = Custom Colors (contact factory)

N5610436E

