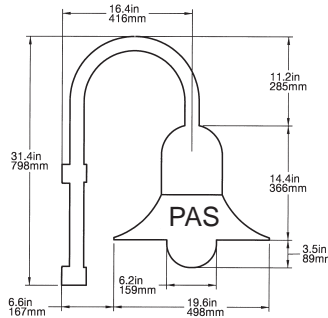
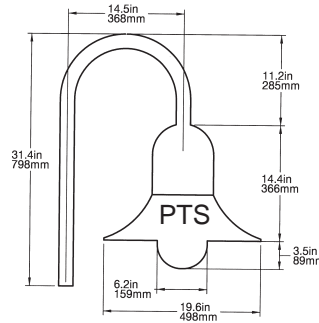
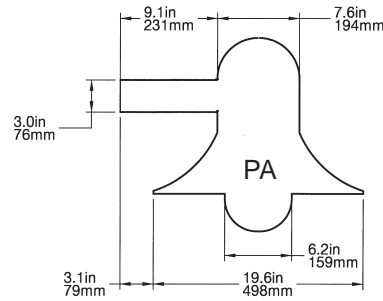


MYSTIQUE - Pole Mount



Dome Top

Cone Top



General: The classic style of the flared shade Mystique blends well into a variety of architectural settings.

Construction: Cast marine-grade, low-copper content aluminum top, housing, shade, and mounting gear. Stainless steel external hardware to protect against corrosion.

Lens: Opal glass globe is standard. Clear glass available.

Lamps: HID and fluorescent lamps included. Accepts up to 175W PSMH and 150W HPS lamps, 26-42W compact fluorescent lamps and 150W (max.) incandescent lamps.

Ballast: Integral ballast for easy access and maintenance. 50W HID units standard with dual volt (120/277V) 60Hz ballast; 70W-175W units standard with quad volt (120/208/240/277V) 60Hz ballast; compact fluorescent units standard with universal 120-277V 50/60Hz electronic ballast; induction lamp units provided with 100-120V, 200-277V 60Hz system generator. Other voltages available upon request.

Tops: Two top styles available: cone (straight arm mounting only) and dome.

Mounting: Three pole mount styles available: straight arm, shepherd's crook and shepherd's crook post top. See order information for quantity and configuration details.

Pole: Sold separately. See Phoenix "Pole Specification Guide".

Finish: Textured polyester powder coat finish. Shade underside is standard with white finish. Black, bronze, gray, white, silver, and verde green options available. For custom colors, please contact factory.

Gaskets: EPDM and silicone gaskets standard.

EPA and Weight: EPA: PA=0.74ft², PAS=0.85ft², PTS=0.84ft²; weight: PA=25lbs., PAS=27lbs., PTS=26lbs.

Listings: UL Listed 1598 for Wet Locations. Indoor/Outdoor listed for use in Canada.



PHOENIX
Intrigue
SERIES™

WALL MOUNT FIXTURE AVAILABLE

PHOTOMETRICS

Please contact factory.

ORDERING INFORMATION

Example	SERIES	MOUNT	WATT/ TYPE	TOP STYLE	OPTIONS		
					LENS (opal standard)	VOLTAGE (277V standard)	FINISH
	MY	PA	100MH	C	CL	347V	BRZ
	MY	PA PAS PTS	50MH 70MH 100MH 150PSMH 175PSMH 50HPS 70HPS 100HPS 150HPS INC 26CFL 32CFL 42CFL 55IL 85IL	C D	CL	347V	BLK BRZ WHT VGN GRY SIL CC

Lamp Wattage/Type (Lamp Included)

50MH = 50W Metal Halide (ED17)
 70MH = 70W Metal Halide (ED17)
 100MH = 100W Metal Halide (ED17)
 150PSMH = 150W Pulse Start Metal Halide (ED17)
 175PSMH = 175W Pulse Start Metal Halide (ED17)
 50HPS = 50W High Pressure Sodium (ED17)
 70HPS = 70W High Pressure Sodium (ED17)
 100HPS = 100W High Pressure Sodium (ED17)
 150HPS = 150W High Pressure Sodium (ED17)
 INC = Incandescent (150W max.)
 26CFL = 26W Compact Fluorescent
 32CFL = 32W Compact Fluorescent
 42CFL = 42W Compact Fluorescent
 55IL = 55W Induction Lamp System
 85IL = 85W Induction Lamp System

Mounting

PA = Straight Arm Pole Mount
 PAS = Shepherd's Crook Pole Mount
 PTS = Shepherd's Crook Pole Mount - Single post top mount

Top Style

C = Cone Top (straight arm mounting only)
 D = Dome Top

Voltage

HID: 50W = 120/277V; 60 Hz standard
 70W+ = 120/208/240/277V; 60Hz standard
 CFL: 120-277V; 50/60 Hz standard
 IL: 100-120; 200-277V; 60 Hz only

347V = 347 Volt (contact factory)
 (70W HID or higher units only)

Lens (Opal Glass Standard)

CL = Clear Glass Globe

Finish

BLK = Black
 BRZ = Bronze
 WHT = White
 VGN = Verde Green
 GRY = Gray
 SIL = Silver
 CC = Custom Colors
 (contact factory)

N5610343D

PHOENIX
Intrigue
 SERIES™

PHOENIX®
 Durability by Design

8711 West Port Avenue • Milwaukee, WI 53224 USA • Phone: 414.973.3300 • Fax: 414.973.3210
 www.phoenixproducts.com