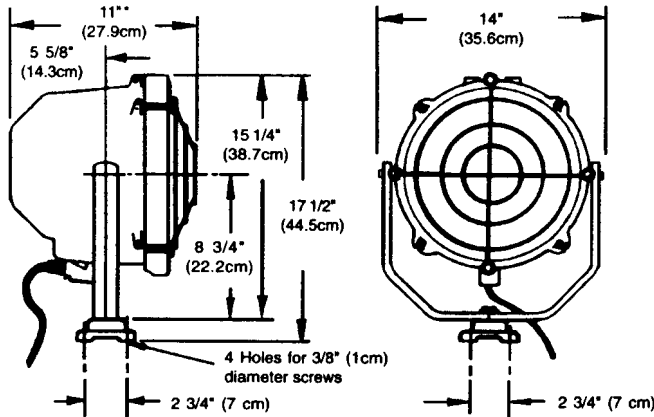


# MS 64 SERIES

ARCHITECTURAL ACCENT LIGHT



Shown with optional Wire Lens Guard

**General:** The MS Series is an incandescent, heavy duty all-weather landscape floodlight suitable for Wet Locations. Dual-axis beam aiming allows for extensive aiming flexibility.

**Construction:** Copper-free, cast aluminum housing and mounting bracket. Stainless steel external hardware.

**Lens:** Heat resistant tempered flat glass cover lens.

**Lamp:** Recommended lamp is 1000 watt maximum, PAR64 incandescent (not included).

**Finish:** Thermoset, powder coated finish. Black standard. Bronze, gray, white, silver, and verde green options available. For custom colors, please contact the factory.

**Mounting:** Fasten fixture with four 3/8" bolts through holes provided in mounting base. The base can be ground (on concrete base), pendant or cantilever mounted.

**Listings:** UL 1598 Listed, Marine outside type Suitable for Wet Locations (Saltwater). UL 1571 Listed, Incandescent Fixture, Suitable for Wet Locations, suitable for use within 4' of ground. UL 1572 Listed, suitable for Wet Locations, suitable for mounting within 4' of ground. US Coast Guard Accepted.

**Weight:** 22lbs. (10.0Kg)

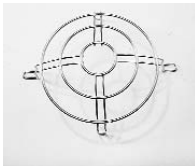
# PHOTOMETRICS

Visit [www.phoenixproducts.com](http://www.phoenixproducts.com)  
for photometric details

## ACCESSORIES

(FIELD INSTALLED)

### Wire Lens Guard



**Specify:** WG-4

Can not be used in conjunction  
with Snoot Accessory.

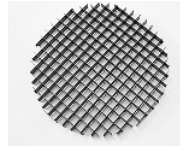
### Snoots



**Specify:** STK/S

8" dia. x 8" long  
Standard color is Black.  
For alternate colors,  
add color code to the  
end of order number.

### Snoots Accessories



**Egg Crate Glare Guard**

GG-EGG

Available in black only.



**Dichroic Filter**

**Blue = DF-B8**

**Green = DF-G8**

**Red = DF-R8**

**Yellow = DF-Y8**

## ORDERING INFORMATION

**SERIES**

**VOLTAGE**

**OPTIONS**

**FINISH**

MS64/1000PAR64

120V

120V

CPL  
FPL  
FRL  
SPL  
CON\*\*  
QRH

BLK  
BRZ  
GRY  
WHT  
VGN  
SIL  
CC

### VOLTAGE OPTIONS

120V = 120Volt

### OPTIONS

**CPL** = Coarse Prismatic Lens  
**FPL** = Fine Prismatic Lens  
**FRL** = Fresnel Lens  
**SPL** = Stippled Lens  
**CON** = Clear Convex Lens\*\*  
**QRH** = Quick Release Handles

### FINISH

**BLK** = Black  
**BRZ** = Bronze  
**GRY** = Gray  
**WHT** = White  
**VGN** = Verde Green  
**SIL** = Silver  
**CC** = Custom Color (Contact Factory)

N5610156D

**PHOENIX**  
*Durability by Design*

8711 West Port Avenue • Milwaukee, WI 53224 USA • Phone: 414-973-3300 • Fax: 414-973-3210

[www.phoenixproducts.com](http://www.phoenixproducts.com)