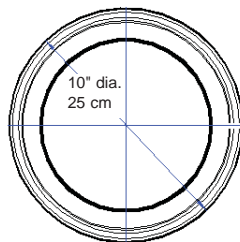
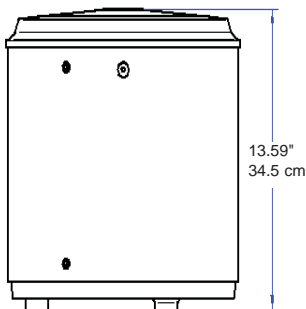
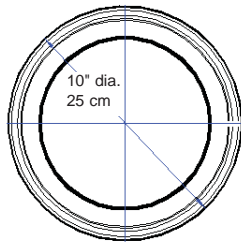
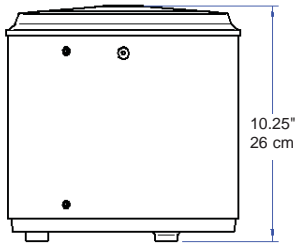


# MG SERIES

ABOVE-GROUND LANDSCAPE FLOODLIGHT



**General:** The MG Series is an outdoor, above-ground luminaire for flood, spot, narrow spot, and wall wash applications. The unique style is knuckle-free and blends into landscape and architectural settings while maintaining the beauty of the area. "Aim-it and Leave-it" technology eliminates constant re-aiming by locking the optical system in place externally. Available in two housing sizes for maximum lamp and optic offerings.

**Construction:** Marine-grade, low-copper content aluminum housing, base and lens frame and stainless steel hardware protect against corrosion.

**Gasketing:** Single piece O-ring gasket at lens and base keeps moisture and debris out of fixture while maintaining watertight seal.

**Lens:** Factory sealed, tempered crowned lens. Clear lens standard on flood, spot, and narrow spot models. Spread (stippled) lens standard on wall wash units. Optional rock guard is available to prevent vandalism.

**Reflector:** Specular hammertone aluminum for spot optics. Diffuse hammertone aluminum for flood and wall wash optics. Semi-specular spun aluminum reflector for narrow spot optics.

**Aiming:** "Aim-It and Leave-It" feature provides positive lock, preventing reflector from being jarred out of position. Base set screw allows housing to rotate for 360° horizontal aiming. Optical system screw provides for vertical ±30° reflector aiming external to the fixture.

**Wiring:** Fixture base includes integral wiring compartment suitable for a maximum of four No. 12 AWG through branch circuit conductors. Quick disconnects provided to remove upper housing for ease of installation.

**Lamps:** Accepts quartz arc tube or ceramic arc tube ED-17 PSMH lamps to 150W, HPS ED-17 lamps to 150W, quartz or ceramic PAR38 metal halide to 150W, ceramic arc T-6 metal halide lamps to 150W, double-ended metal halide to 150W, incandescent PAR38 to 250W and double-ended quartz halogen up to 300W.

**Finish:** Thermoset, textured polyester powder coat finish. Black, bronze, gray, white, silver, and verde green options available. For custom colors, please contact factory.

**Mounting:** Fixture comes with a 1/2" trade size conduit hole and a knockout for thru wiring. Base has three holes for 3/8" bolts at 120 degrees. Provided with three sealing conduit lock nuts and three sealing washers for mounting on concrete pad. 2-1/2" spacer kit for elevating fixture from hard surface is optional.

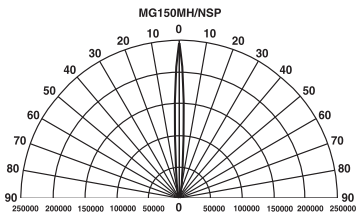
**Weight:** Short housing: 20lbs. (9Kg), Tall housing: 26.5lbs. (12Kg)

**Listings:** UL Listed 1598 Wet Locations. cUL Listed.

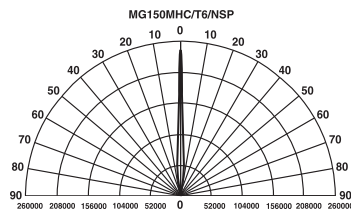


# PHOTOMETRICS

CANDELA CURVE DATA  
 FOOTCANDLES =  $\frac{\text{CENTERLINE CANDELAS}}{(\text{DISTANCE FROM FIXTURE})^2}$



MG150MH/NSP  
 150W G24 Base T-6 MH  
 NEMA Type = 1x1  
 Lumens = 13500



MG150MHC/NSP  
 150W Ceramic Medium Base MH  
 NEMA Type = 1x1  
 Lumens = 13000

## OPTIONS (FACTORY INSTALLED)



Rock Guard Lens  
 Option  
 Add to Order # - RG

## ACCESSORIES (FIELD INSTALLED)



Internal Glare Guard  
**Order # IGG-RING**  
 (FL, SP, OR WW Optics)  
 Concentric Ring  
**Order #CON**  
 (NSP Optics Only)



8" Dichroic Color Filters  
 with Mounting Kit  
**Order #**  
**BLUE = DF-B8**  
**GREEN = DF-G8**  
**RED = DF-R8**  
**YELLOW = DF-Y8**



Metal Mounting  
 Template  
**Order # MTK**



Internal Glare Guard  
 Eggcrate  
**Order # IGG-EGG**

**Not Shown:**  
 Spacer Mounting Kit  
**Order # SMK**  
 (Used to elevate  
 fixture 2 1/2" from  
 solid surface)

# LAMPING/OPTICS AVAILABILITY

Standard Housing Size (inches)				
Lamp Wattage/Type	Flood	Spot	Wall Wash	Narrow Spot
70MH	10.25	10.25	10.25	13.59*
100MH	10.25	10.25	10.25	13.59*
150MH**	10.25	10.25	10.25	13.59*
70MH/PAR38***	13.59 Optics Per Lamp Mfr.			
100MH/PAR38***	13.59 Optics Per Lamp Mfr.			
150MH/PAR38***	13.59 Optics Per Lamp Mfr.			
70MHC	10.25	10.25	10.25	13.59*
100MHC	10.25	10.25	10.25	13.59*
150MHC	10.25	10.25	10.25	13.59*
70MHC/T6	10.25	10.25	10.25	13.59*
150MHC/T6**	10.25	10.25	10.25	13.59*
150MHC/T6-SA**	10.25	10.25	10.25	13.59*
70MH/DE	10.25	10.25	10.25	-
150MH/DE	10.25	10.25	10.25	-
70HPS	10.25	10.25	10.25	13.59*
100HPS	10.25	10.25	10.25	13.59*
150HPS	10.25	10.25	10.25	13.59*
250Q/DE	10.25	10.25	10.25	-
300Q/DE	10.25	10.25	10.25	-
38INC	10.25 Optics Per Lamp Mfr.			

## Watt/Type

70MH = 70W Metal Halide (ED17)

100MH = 100W Metal Halide (ED17)

150MH = 150W Pulse Start Metal Halide (ED-17)\*\*

70MH/PAR38 = 70W Metal Halide (PAR 38 quartz or ceramic)\*\*\*

100MH/PAR38 = 100W Metal Halide (PAR 38 quartz or ceramic)\*\*\*

150MH/PAR38 = 150W Metal Halide (PAR 38 quartz or ceramic)\*\*\*

70MHC = 70W Metal Halide (Ceramic ED17)

100MHC = 100W Metal Halide (Ceramic ED17)

150MHC = 150W Pulse Start Metal Halide (Ceramic ED17)

70MHC/T6 = 70W Metal Halide (Ceramic T-6)

150MHC/T6 = 150W Pulse Start Metal Halide (Ceramic T-6)

150MHC/T6-SA = 150W Pulse Start Metal Halide (Ceramic T-6, Short Arc Photo Lamp)

70MH/DE = 70W Metal halide (Double-ended HQI)

150MH/DE = 150W Metal halide (Double-ended HQI)

70HPS = 70W High Pressure Sodium (ED-17)

100HPS = 100W High Pressure Sodium (ED-17)

150HPS = 150W High Pressure Sodium (ED-17)

250 Q/DE = 250W Incandescent Quartz (Double-ended, 250W max.)

300 Q/DE = 300W Incandescent Quartz (Double-ended, 300W max.)

38INC = Incandescent (PAR 38 - 300W max)

\* Available in tall (13.59"/34.5cm) housing only.

\*\* Standard in tall (13.59"/34.5cm) housing with electronic ballast. Available in short (10.25"/26cm) housing with magnetic ballast.

\*\*\* Standard in tall (13.59"/34.5cm) housing with magnetic ballast. Available in short (10.25"/26cm) housing with electronic ballast.

# ORDERING INFORMATION

SERIES WATT/TYPE OPTICS - ELECTRICAL - VOLTAGE - OPTIONS - FINISH

example: **MG** **70MH/PAR30** / **FL** - **ELB** - **230/50HZ** - **RG** - **BLK**

MG	70MH 100MH 150MH** 39MH/PAR30 70MH/PAR30 70MH/PAR38*** 100MH/PAR38*** 150MH/PAR38*** 70MHC 100MHC 70MHC/T6 150MHC/T6** 150MHC/T6SA** 70MH/DE 150MH/DE 70HPS 100HPS 150HPS 250Q/DE 300Q/DE 38INC	FL SP WW NSP*	ELB	230/50HZ 347V	RG SL CL	BLK BRZ GRY WHT VGN SIL CC

\*Available in tall (13.59") Housing only

\*\* Standard in tall (13.59"/34.5cm) housing with electronic ballast. Available in short (10.25"/26cm) housing with magnetic ballast.

\*\*\*Standard in tall (13.59"/34.5cm) housing with magnetic ballast. Available in short (10.25"/26cm) housing with electronic ballast option.

## WATTAGE/TYPE (lamps included - except incandescent)

70MH = 70W Metal Halide (ED17)  
 100MH = 100W Metal Halide (ED17)  
 150MH = 150W Pulse Start Metal Halide (ED17)\*\*  
 39MH/PAR30 = 39W Metal Halide (PAR30 ceramic MH)  
 70MH/PAR30 = 70W Metal Halide (PAR30 ceramic MH)  
 70MH/PAR38\*\*\* = 70W Metal Halide (PAR 38 quartz or ceramic MH)  
 100MH/PAR38\*\*\* = 100W Metal Halide (PAR 38 quartz or ceramic MH)  
 150MH/PAR38\*\*\* = 150W Metal Halide (PAR 38 quartz or ceramic MH)  
 70MHC = 70W Metal Halide (Ceramic ED17)  
 100MHC = 100W Metal Halide (Ceramic ED17)  
 150MHC = 150W Pulse Start Metal Halide (Ceramic ED17)  
 70MHC/T6 = 70W Metal Halide (Ceramic T6)  
 150MHC/T6 = 150W Pulse Start Metal Halide (Ceramic T6)  
 150MHC/T6SA = 150W Pulse Start Metal Halide (Ceramic T6, Short Arc Photo Lamp)  
 70MH/DE = 70W Metal Halide (Double-ended HQI)  
 150MH/DE = 150W Metal Halide (Double-ended HQI)  
 70HPS = 70W High Pressure Sodium (ED17)  
 100HPS = 100W High Pressure Sodium (ED17)  
 150HPS = 150W High Pressure Sodium (ED17)  
 250Q/DE = 250W Incandescent Quartz (Double-ended; 250W max.)  
 300Q/DE = 300W Incandescent Quartz (Double-ended; 300W max.)  
 38INC = Incandescent (PAR38 - 300W max.)

## OPTICS

FL = Flood Optics  
 SP = Spot Optics  
 WW = Wall Wash Optics  
 NSP = Narrow Spot Optics (NEMA 1x1)

## ELECTRICAL

ELB = Electronic Ballast  
 (Available up to 100 watts HID only)

## OPTIONS

RG = Rock Guard  
 SL = Spread (stippled) Lens  
 (Standard on WW units)  
 CL = Clear Lens  
 (Standard on FL, SP & NSP units)

## VOLTAGE

Standard:  
 50W = Dual Volt (120/277)  
 70+W = Quad Volt (120/208/240/277V)  
 (ballasts tapped at 277V unless specified)

230/50HZ = 230 Volts; 50HZ  
 347V = 347 Volts

## FINISH

BLK = Black  
 BRZ = Bronze  
 GRY = Gray  
 WHT = White  
 VGN = Verde Green  
 SIL = Silver  
 CC = Custom Color;  
 Contact Factory

N5610186E

**PHOENIX**  
*Durability by Design*

8711 West Port Avenue • Milwaukee, WI 53224 USA • Phone: 414.973.3300 • Fax: 414.973.3210

www.phoenixproducts.com