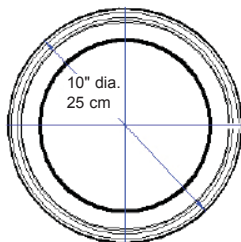
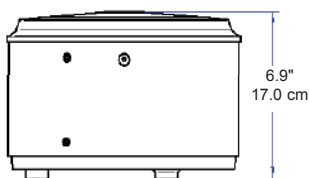


MINI MG SERIES

ABOVE-GROUND LANDSCAPE FLOODLIGHT



General: The MGM Series is an outdoor-rated, above-ground luminaire for flood, spot, and wall wash applications. The MGM Series is knuckle-free and blends into landscape and architectural settings. Unique adjustable aiming assembly eliminates constant re-aiming by externally locking the optical system in place.

Construction: Marine-grade, low-copper content aluminum housing, base, and lens frame as well as stainless steel hardware protect against corrosion.

Gasketing: Single piece o-ring gasket at lens and base keeps moisture and debris out of fixture while maintaining a watertight seal.

Lens: Factory sealed, tempered, and crowned lens. Clear lens standard on flood and spot models. Linear spread lens standard on wall wash units. Optional rock guard with lens is available to help prevent vandalism.

Reflector: Specular hammertone aluminum for spot optics. Diffuse hammertone aluminum for flood and wall wash optics.

Aiming: The unique adjustable aiming assembly locks the optical system in place externally and features an externally accessible internal screw to adjust tilt angle. This aiming screw is part of a system that allows the reflector to be rotated and tilted up to 20° about the pivot axis. This combination prevents the reflector from being jarred out of position during maintenance and allows aiming while luminaire is sealed. Horizontal aiming is performed by loosening set screws at the base of the luminaire and rotating the housing.

Wiring: Fixture base includes integral wiring compartment suitable for a maximum of four No. 12 AWG through branch circuit conductors. For ease of installation, quick disconnects provided to remove upper housing.

Lamp: Accepts ceramic metal halide lamps with G12 base. 20W MHC T4.5 and 39W & 70W MHC T6.

Ballast: High power factor universal electronic ballast.

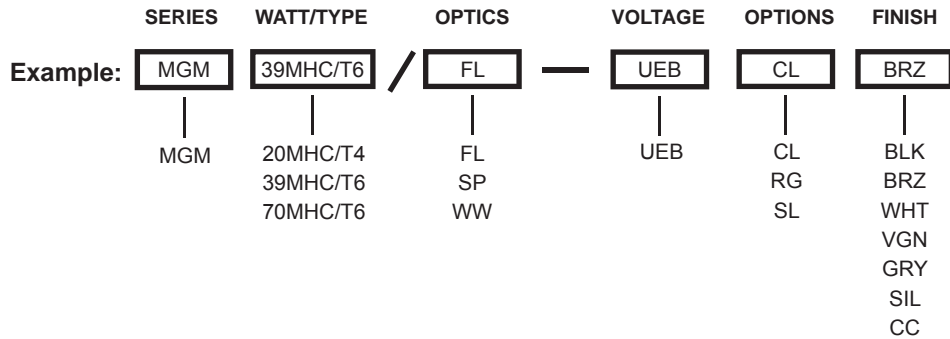
Finish: Thermoset, textured polyester powder coat finish. Black, bronze, gray, white, silver, and verde green options available. For custom colors, please contact factory.

Mounting: Fixture comes with a 1/2" trade size conduit hole and a knockout for through wiring. Base has three holes for 3/8" bolts at 120°. Provided with three sealing conduit lock nuts and three sealing washers for mounting on concrete pad. 2-1/2" spacer kit for elevating fixture from hard surface is optional.

Listings: UL Listed 1598 (Wet Locations). cUL Listed for use in Canada.

PHOENIX®

ORDERING INFORMATION



SERIES

MGM = Mini MG Series

LAMP SELECTION

20MHC/T4 = 20W Ceramic Metal Halide (T4.5, G12 base)
39MHC/T6 = 39W Ceramic Metal Halide (T6, G12 base)
70MHC/T6 = 70W Ceramic Metal Halide (T6, G12 base)

OPTICS

FL = Flood Optics
SP = Spot Optics
WW = Wall Wash Optics

VOLTAGE

UEB = Universal Electronic Ballast (120 - 277V, 50/60Hz)

OPTIONS

CL = Clear Lens (recommended on FL & SP)
RG = Rock Guard w/ Clear Lens
SL = Linear Spread Lens (recommended on WW)

FINISH

BLK = Black
BRZ = Bronze
WHT = White
VGN = Verde Green
GRY = Gray
SIL = Silver
CC = Custom Colors (consult factory)

LAMP AND BALLAST SPECIFICATION NOTES

- 1 - HID lamp included
- 2 - Standard with high power factor universal UEB 120V-277V 50/60Hz electronic ballast
- 3 - Contact factory for other available voltages

MOUNTING NOTES

- 1 - Luminaire includes a 1/2" trade size conduit hole and knockout for wiring. Base has three holes for 3/8" bolts, at 120°. Includes three sealing conduit lock nuts and three sealing washers for mounting on concrete pad.

FACTORY INSTALLED OPTIONS



CL = Clear Lens
Recommended when FL or SP distribution is specified.



RG = Cast Rock Guard Lens
Includes a Clear Lens; recommended when FL or SP distribution is specified



SL = Linear Spread Lens
Recommended when WW distribution is specified.

FIELD INSTALLED ACCESSORIES



DH-7 = Dichroic Holder



DF-B7 = Blue
DF-G7 = Green
DF-R7 = Red
DF-Y7 = Yellow
 7" Dichroic Color Filters
 Requires **DH-7** Dichroic Holder.



IGG-7 = Internal Glare Guard Eggcrate Louver



MTK = Metal Mounting Template
For determining location of anchor bolts on concrete pad.



IGG-RINGM = Internal Glare Guard Concentric Ring
Cannot use in combination with other accessories.

SMK-* = Spacer Mounting Kit
Three (3) 1.5" diameter x 2.5" tall aluminum tubes elevate housing above mounting surface. Thermoset, textured polyester powder coat finish to match luminaire.
*Specify color: BLK, BRZ, WHT, VGN, GRY, SIL or CC (Custom Color, consult factory).

Phoenix Products has taken reasonable steps to ensure that the information contained herein is accurate. While we believe the information is accurate, no warranty is made or implied. Product design and specifications are subject to change without notice. The most current version of this specification sheet can be found on our website, www.phoenixproducts.com

N5499688C