

# LARGE CONCORD - Pole Mount

**General:** The updated classic style of the Concord Series is available for good area illumination.



Dome Top

Cone Top  
(PA style only)

**Construction:** Cast marine-grade, low-copper content aluminum top, housing, shade, and mounting gear. Stainless steel external hardware to protect against corrosion.

**Lens:** Layered opal glass globe is standard. Clear glass available.

**Lamps:** HID, fluorescent and induction lamps included. Accepts up to 175W PSMH and 150W HPS ED17 lamps, 26-42W compact fluorescent lamps (triple tube), 150W (max.) incandescent lamps and the 55 and 85W induction lamp systems.

**Ballast:** Integral ballast for easy access and maintenance. 50W HID units standard with dual volt (120/277V), 60HZ ballast; 70W-175W units standard with quad volt (120/208/240/277V), 60HZ ballast; compact fluorescent units standard with universal 120-277V, 50/60HZ electronic ballast; induction lamp units provided with 120V system generator. Other voltages available upon request.

**Tops:** Two top styles available: dome and cone (straight arm only).

**Mounting:** Three pole mount styles available: straight arm, shepherd's crook and shepherd's crook post top.

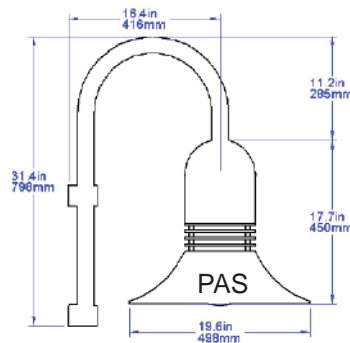
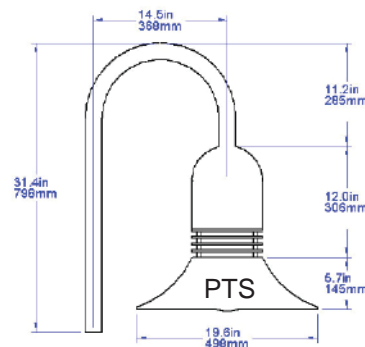
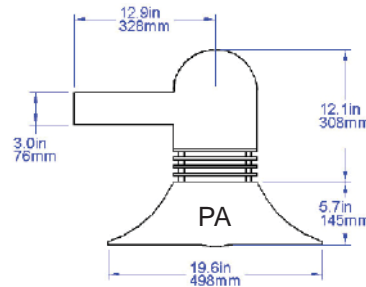
**Pole:** Sold separately. See Phoenix "Pole Specification Guide".

**Finish:** Textured polyester powder coat finish. Shade underside is standard with white finish. Black, bronze, gray, white, silver, and verde green options available. For custom colors, please contact factory.

**Gaskets:** EPDM gaskets standard.

**E.P.A. and Weight:** EPA: PA=0.75ft<sup>2</sup>, PAS=0.87ft<sup>2</sup>, PTS=0.86ft<sup>2</sup>; weight: PA=26lbs., PAS=28lbs., PTS=27lbs.

**Listings:** UL Listed 1598 for Wet Locations. Indoor/Outdoor listed for use in Canada.



WALL MOUNT, PENDANT MOUNT AND BOLLARD FIXTURES AVAILABLE  
SMALL SCALE WALL MOUNT VERSION AVAILABLE



# PHOTOMETRICS

Please contact factory.

## ORDERING INFORMATION

Example	SERIES	MOUNT	WATT/ TYPE	TOP STYLE	OPTIONS		
					LENS <small>(opal glass standard)</small>	VOLTAGE <small>(see below*)</small>	FINISH
	LCN	PA	100MH	C	CL	347V	BRZ
	LCN	PA PAS PTS	50MH 70MH 100MH 150PSMH 175PSMH 50HPS 70HPS 100HPS 150HPS INC 26CFL 32CFL 42CFL 55IL 85IL	C D	CL	220/240-50H 347V	BLK BRZ WHT VGN GRY SIL CC

### Lamp Wattage/Type (Lamp Included - except INC)

50MH = 50W Metal Halide (ED17)  
 70MH = 70W Metal Halide (ED17)  
 100MH = 100W Metal Halide (ED17)  
 150PSMH = 150W Pulse Start Metal Halide (ED17)  
 175PSMH = 175W Pulse Start Metal Halide (ED17)  
 50HPS = 50W High Pressure Sodium (ED17)  
 70HPS = 70W High Pressure Sodium (ED17)  
 100HPS = 100W High Pressure Sodium (ED17)  
 150HPS = 150W High Pressure Sodium (ED17)  
 INC = Incandescent (150W max.)  
 26CFL = 26W Compact Fluorescent (triple, 4-pin)  
 32CFL = 32W Compact Fluorescent (triple, 4-pin)  
 42CFL = 42W Compact Fluorescent (triple, 4-pin)  
 55IL = 55W Induction Lamp System  
 85IL = 85W Induction Lamp System

### Mounting

PA = Straight Arm Pole Mount  
 PAS = Shepherd's Crook Pole Mount  
 PTS = Shepherd's Crook Pole Mount -  
 Single post top mount

### Top Style

C = Cone Top (n/a with Shepherd's Crook mounting styles)  
 D = Dome Top

### Voltage

\*HID: 50W = 120/277V; 60 HZ standard  
 70W+ = 120/208/240/277V; 60 Hz standard  
 CFL: 120-277V; 50/60 HZ standard  
 IL: 120V; 60HZ Generator standard

220/240-50H = 220/240V, 50HZ  
(HID units only)  
 347V = 347 Volt  
(70W HID or higher units only)

### Lens (Opal Glass Standard)

CL = Clear Glass Globe

### Finish

BLK = Black  
 BRZ = Bronze  
 WHT = White  
 VGN = Verde Green  
 GRY = Gray  
 SIL = Silver  
 CC = Custom Colors  
(contact factory)

N5610421C

PHOENIX  
*Intrigue*  
 SERIES™