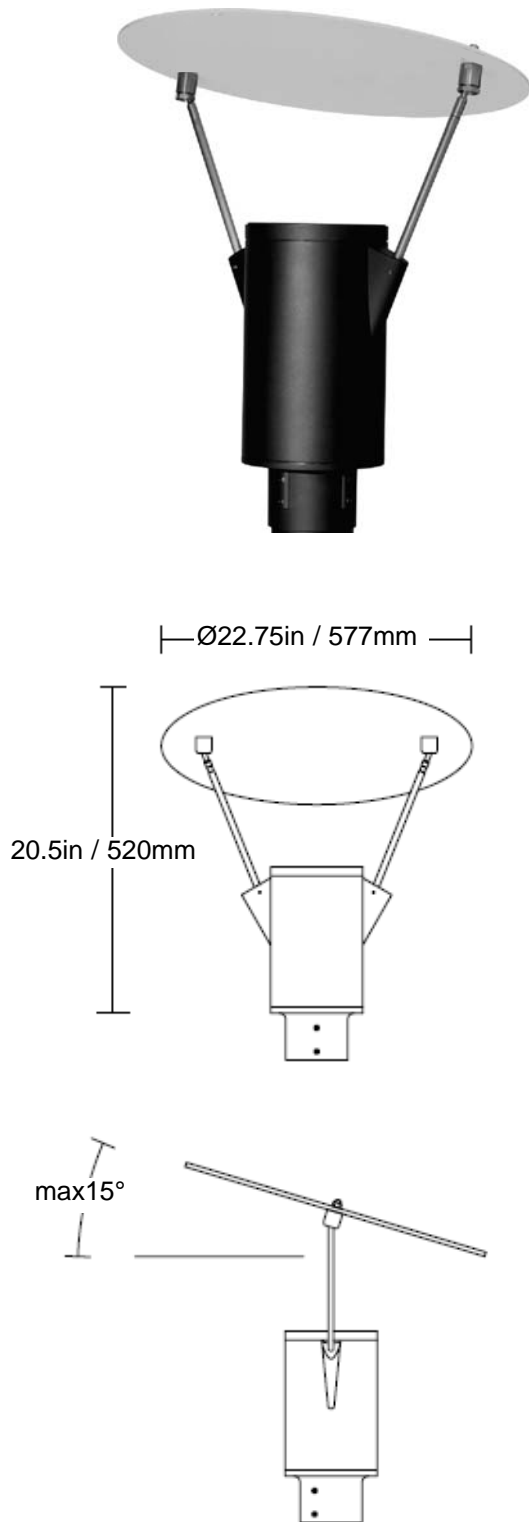


**nico**



**General Description:** *Indirect Luminaire.*

Direct lamp glare is eliminated by locating the primary reflector in the optical housing. This configuration provides indirect illumination by focusing light onto the white aluminum canopy above. The aluminum canopy, available in round or oval shape, may be tilted (0°-15°) providing symmetrical or asymmetrical light distribution. The result is glare-free, even illumination on the ground below. Appropriate for park and pedestrian illumination.

**Construction:** Corrosion resistant die-cast aluminum optical housing and upper canopy. Stainless steel arms and external hardware. Upper aluminum canopy available in round or oval.

**Lens:** Flat, clear, tempered glass lens.

**Optics:** Internal primary reflector is located in optical housing and is pure anodized aluminum.

**Lamp:** Luminaire includes vertically mounted clear, T6 MH lamp with G12 base. Up to 150w.

**Ballast:** High power factor electronic ballast is mounted in fixture hub at pole top.  
70w CMH: universal electronic ballast.  
150w CMH: 120v or 277v electronic ballast.

**Mounting:** Pole top style. Hub fits over standard 4.5" open pole top. Secures in place with set screws to prevent rotation.

**Poles:** Sold separately. See Phoenix "Pole Specification Guide" and PA5 Series specification sheet.

**Finish:** Textured polyester powder coat finish. Luminaire hub available in black, bronze, gray, white, silver, and verde green. Upper aluminum canopy standard in non-textured polyester powder coat finish, white. For custom colors, please contact factory.

**Gaskets:** Silicone gaskets are standard.

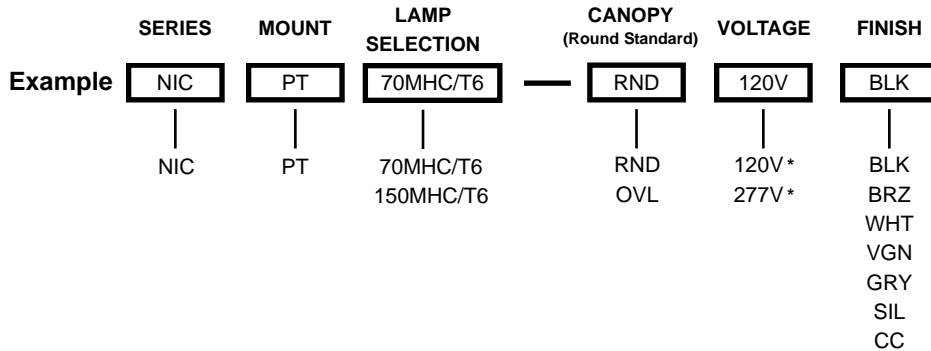
**E.P.A** = 2.79 ft<sup>2</sup>

**Weight** = 26 lbs.

**Listings:** UL Listed 1598 for Wet Locations. Indoor/Outdoor listed for use in Canada.



# ORDERING INFORMATION



**SERIES**

NIC = Nico, Indirect Luminaire

**MOUNT**

PT = Post Top Mount - single post top mount

**LAMP SELECTION**

(Lamps Are Included)

70MHC/T6 = 70w Ceramic Metal Halide (T6, G12 base)  
150MHC/T6 = 150w Ceramic Metal Halide (T6, G12 base)

**CANOPY**

RND = Round upper canopy; 22.75" diameter  
OVL = Oval upper canopy; 27.5" x 35.4" oval

**VOLTAGE**

120V = 120V\*  
277V = 277V\*

\* Dedicated voltage specification required only for 150w luminaires. See below for additional ballast details.

**BALLAST SPECIFICATION NOTES**

High power factor electronic ballast is standard.

70w MHC/T6 standard with universal ELB 120V-277V 50/60Hz electronic ballast.

150w MHC/T6 specify either 120v or 277v 50/60Hz electronic ballast (universal electronic ballast not available with 150w CMH lamp).

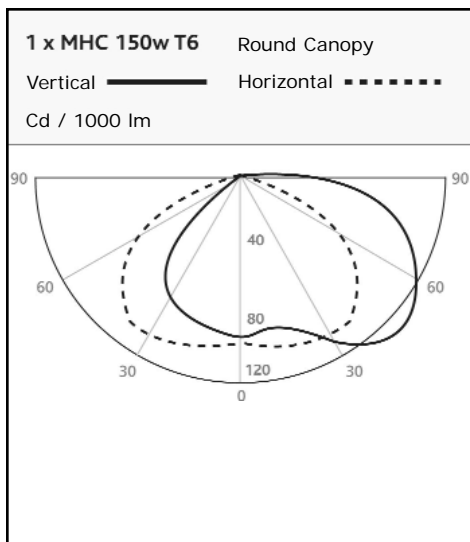
**FINISH**

BLK = Black  
BRZ = Bronze  
WHT = White  
VGN = Verde Green  
GRY = Gray  
SIL = Silver  
CC = Custom Colors (consult factory)

**MOUNTING NOTES**

Post top fits on 4.5" open pole top.

NOTE: We reserve the right to make alterations to the appearance and construction of this luminaire due to new developments and/or technological updates.



NOTE: This luminaire is not Full Cutoff. Candela above 90-degrees not shown.

N5499690B