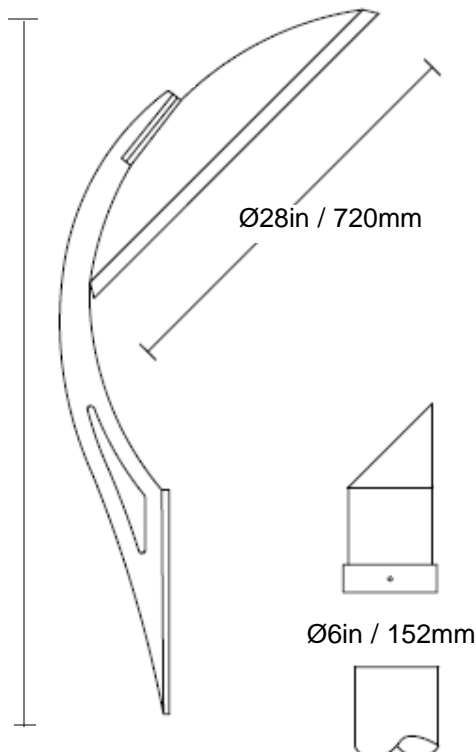


# neha



**General Description:** *Indirect Luminaire.*

Direct lamp glare is eliminated by locating the primary reflector in the optical housing. This configuration provides indirect illumination by focusing light onto the white surface above. The result is glare-free, even illumination on the ground below. Appropriate for park and pedestrian illumination.

**Construction:** Corrosion-resistant, marine-grade low copper content construction. Stainless steel external hardware. Fiberglass canopy.

**Lens:** Flat clear, tempered glass lens.

**Optics:** Internal primary reflector is located in optical housing and is pure anodized aluminum.

**Lamp:** Luminaire includes vertically mounted clear, T6 MH lamp with G12 base. Up to 150w.

**Ballast:** High power factor, universal electronic ballast tray fits into pole.

**Mounting:** Pole top style. Hub fits over standard 6.0" open pole top and secures in place with set screws to prevent rotation. Poles ordered from Phoenix will be pre-drilled for upper canopy bracket.

**Poles:** Sold separately. See Phoenix "Pole Specification Guide." Poles not ordered from Phoenix need to specify canopy bracket drilling.

**Finish:** Textured polyester powder coat finish. Luminaire hub and arms available in black, bronze, gray, white, silver, and verde green. Fiberglass canopy in white only. For custom colors, please contact factory.

**Gaskets:** Silicone gaskets are standard.

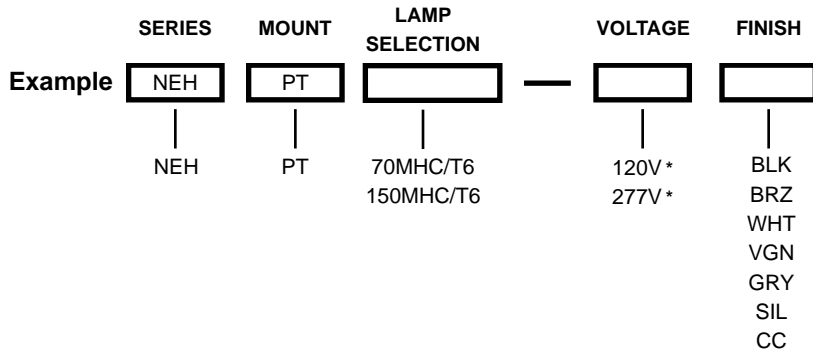
**E.P.A** = 3.65 ft<sup>2</sup>

**Weight** = 27 lbs.

**Listings:** UL Listed 1598 for Wet Locations. Indoor/Outdoor listed for use in Canada.



# ORDERING INFORMATION



**SERIES**

NEH = Neha, Indirect Luminaire

**MOUNT**

PT = Post Top Mount - single post top mount

**LAMP SELECTION**

(Lamps Are Included)

70MHC/T6 = 70w Ceramic Metal Halide (T6, G12 base)

150MHC/T6 = 150w Ceramic Metal Halide (T6, G12 base)

**VOLTAGE**

120V = 120V \*

277V = 277V \*

\* Dedicated voltage specification required only for 150w luminaires. See below for additional ballast details.

**BALLAST SPECIFICATION NOTES**

High power factor electronic ballast is standard.

70w MHC/T6 standard with universal ELB 120V-277V 50/60Hz electronic ballast.

150w MHC/T6 specify either 120v or 277v 50/60Hz electronic ballast (universal electronic ballast not available with 150w CMH lamp).

**FINISH**

BLK = Black

BRZ = Bronze

WHT = White

VGN = Verde Green

GRY = Gray

SIL = Silver

CC = Custom Colors (consult factory)

**MOUNTING NOTES**

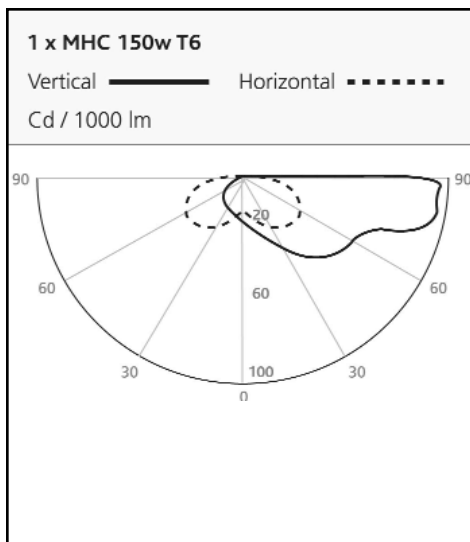
Post top fits on 6.0" open pole top.

Pole must be pre-drilled for upper canopy.

**FINISH NOTES**

Fiberglass canopy available in white only.

NOTE: We reserve the right to make alterations to the appearance and construction of this luminaire due to new developments and/or technological updates.



NOTE: This luminaire is not Full Cutoff. Candela above 90-degrees not shown.

N5499720

**PHOENIX**  
Durability by Design

8711 West Port Avenue • Milwaukee, WI 53224 USA • Phone: 414-973-3300 • Fax: 414-973-3210

www.phoenixproducts.com