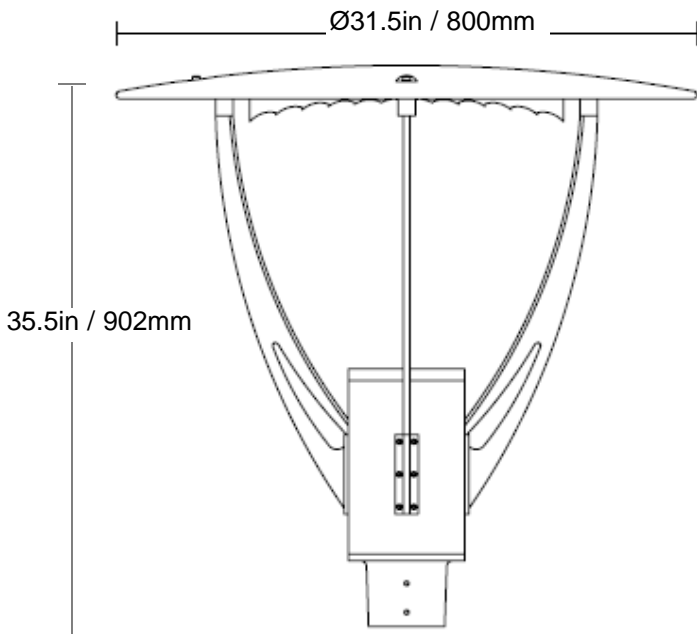


emi



General Description: *Indirect Luminaire with Moonlight Secondary Reflector.*

Symmetrical or asymmetrical reflectors are available for the even illumination of park and pedestrian environments. Direct lamp glare is eliminated by locating the primary reflector in the optical housing. This configuration provides indirect illumination by focusing light onto the secondary reflector surface above. The reflected light is projected off the secondary reflector utilizing precisely engineered concave curves. The result is glare-free, even illumination on the ground below.

Construction: Corrosion-resistant, low copper content aluminum. Stainless steel external hardware. Spun aluminum upper canopy holds secondary reflector; available in both asymmetric and symmetric distribution. Secondary reflector features the *Moonlight Secondary Reflector Technology* and is finished with a metalized surface protected against environmental corrosion.

Lens: Flat clear, tempered glass lens.

Optics: Internal primary reflector is located in optical housing and is pure anodized aluminum.

Lamp: Luminaire includes vertically mounted clear, T6 MH lamp with G12 base. Up to 150w.

Ballast: High power factor electronic ballast is mounted in fixture hub at pole-top. 70w CMH: universal electronic ballast. 150w CMH: 120v or 277v electronic ballast.

Mounting: Pole top style. Hub fits over standard 4.5" open pole top. Secures in place with set screws to prevent rotation.

Poles: Sold separately. See Phoenix "Pole Specification Guide."

Finish: Textured polyester powder coat finish. Luminaire hub and arms available in black, bronze, gray, white, silver, and verde green. Upper canopy standard in white. For custom colors, please contact factory.

Gaskets: Silicone gaskets are standard.

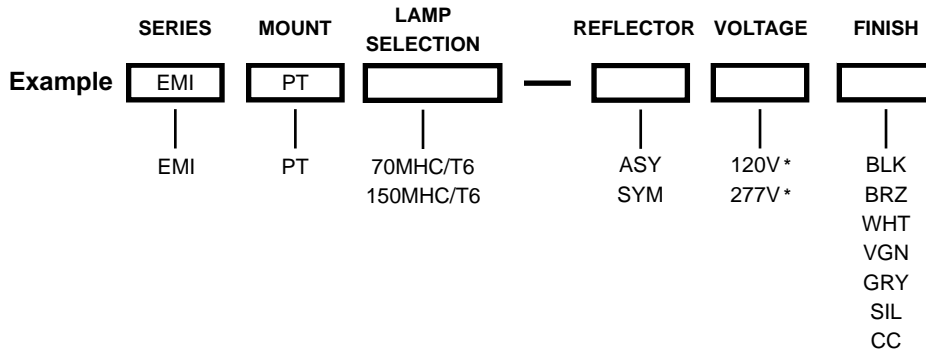
E.P.A = 2.15 ft²

Weight = 36 lbs.

Listings: UL Listed 1598 for Wet Locations. Indoor/Outdoor listed for use in Canada.



ORDERING INFORMATION



SERIES

EMI = Emi, Indirect Luminaire with Moonlight Secondary Reflector

MOUNT

PT = Post Top Mount - single post top mount

LAMP SELECTION

(Lamps Are Included)

70MHC/T6 = 70w Ceramic Metal Halide (T6, G12 base)

150MHC/T6 = 150w Ceramic Metal Halide (T6, G12 base)

REFLECTOR

ASY = Asymmetrical distribution

SYM = Symmetrical distribution

VOLTAGE

120V = 120V*

277V = 277V*

* Dedicated voltage specification required only for 150w luminaires. See below for additional ballast details.

BALLAST SPECIFICATION NOTES

High power factor electronic ballast is standard.

70w MHC/T6 standard with universal ELB 120V-277V 50/60Hz electronic ballast.

150w MHC/T6 specify either 120v or 277v 50/60Hz electronic ballast (universal electronic ballast not available with 150w CMH lamp).

FINISH

BLK = Black

BRZ = Bronze

WHT = White

VGN = Verde Green

GRY = Gray

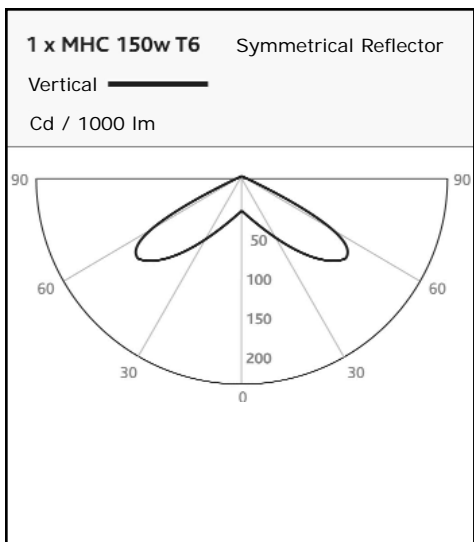
SIL = Silver

CC = Custom Colors (consult factory)

MOUNTING NOTES

Post top fits on 4.5" open pole top.

NOTE: We reserve the right to make alterations to the appearance and construction of this luminaire due to new developments and/or technological updates.



N5499718

PHOENIX
Durability by Design

8711 West Port Avenue • Milwaukee, WI 53224 USA • Phone: 414-973-3300 • Fax: 414-973-3210

www.phoenixproducts.com