

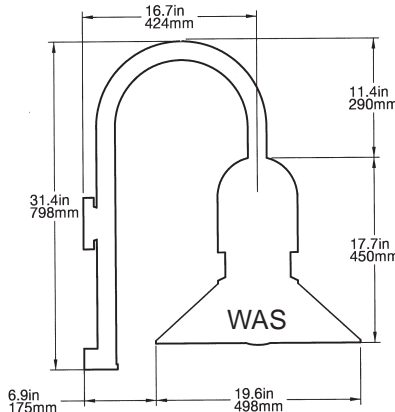
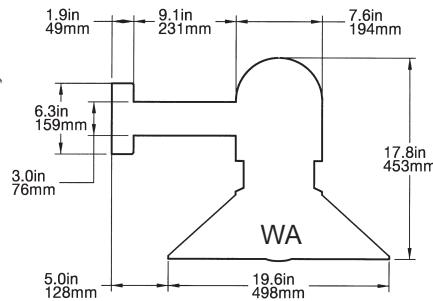
# ELEGANT - Wall Mount



Dome Top



Cone Top  
(WA Style Only)



**General:** The open birdcage style of the Elegant provides decorative upright in a classic fixture.

**Construction:** Cast marine-grade, low-copper content aluminum top, housing, shade, and mounting gear. Stainless steel external hardware to protect against corrosion.

**Lens:** Opal glass lens is standard. Clear glass lens available.

**Lamps:** HID and fluorescent lamps included. Accepts up to 175W PSMH and 70W HPS lamps, 26-42W compact fluorescent lamps, 150W (max.) incandescent lamps, and 55 and 85W induction lamp systems.

**Ballast:** Integral ballast for easy access and maintenance. 50W HID units standard with dual volt (120/277V) 60HZ ballast; 70W - 175W units standard with quad volt (120/208/240/277V) 60HZ ballast; compact fluorescent units standard with universal 120-277V 50/60HZ electronic ballast; induction lamp units provided with 120V system generator. Other voltages available upon request.

**Tops:** Two top styles available: cone and dome. (Cone top available with straight arm mount only)

**Mounting:** Two wall mount styles available: straight arm and shepherd's crook.

**Finish:** Textured polyester powder coat finish. Shade underside is standard with white finish. Black, bronze, gray, white, silver, and verde green options available. For custom colors, please contact factory.

**Gaskets:** EPDM gaskets standard.

**Weight:** WA=27lbs., WAS=28lbs.

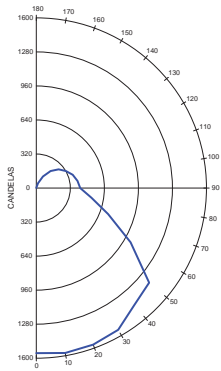
**Listings:** UL Listed 1598 for Wet Locations. Indoor/Outdoor listed for use in Canada.



PHOENIX  
*Intrigue*  
SERIES™

POLE MOUNT AND BOLLARD FIXTURES AVAILABLE

# PHOTOMETRICS



ELWA150PSMH\*  
 150W Medium Base PSMH  
 NEMA Type: 7x7  
 Lumens - 12900  
 \* Insert Top Style

## ORDERING INFORMATION

Example	SERIES	MOUNT	WATT/ TYPE	TOP STYLE	OPTIONS		
					LENS <small>(opal standard)</small>	VOLTAGE <small>(277V standard)</small>	FINISH
	EL	WA	100MH	C	CL	347V	BRZ
	EL	WA WAS	50MH 70MH 100MH 150PSMH 175PSMH 50HPS 70HPS 100HPS 150HPS INC 26CFL 32CFL 42CFL 55IL 85IL	C D	CL	220/240-50H 347V	BLK BRZ WHT VGN GRY SIL CC

**Lamp Wattage/Type (Lamp Included)**

- 50MH = 50W Metal Halide (ED17)
- 70MH = 70W Metal Halide (ED17)
- 100MH = 100W Metal Halide (ED17)
- 150PSMH = 150W Pulse Start Metal Halide (ED17)
- 175PSMH = 175W Pulse Start Metal Halide (ED17)
- 50HPS = 50W High Pressure Sodium (ED17)
- 70HPS = 70W High Pressure Sodium (ED17)
- 100HPS = 100W High Pressure Sodium (ED17)
- 150HPS = 150W High Pressure Sodium (ED17)
- INC = Incandescent (150W max.)
- 26CFL = 26W Compact Fluorescent
- 32CFL = 32W Compact Fluorescent
- 42CFL = 42W Compact Fluorescent
- 55IL = 55W Induction Lamp System
- 85IL = 85W Induction Lamp System

**Mounting**

- WA = Straight arm wall mount
- WAS = Shepherd's crook wall mount

**Top Style**

- C = Cone Top (n/a with Shepherd's Crook mounting styles)
- D = Dome Top

**Lens (Opal Glass Standard)**

- CL = Clear Glass Lens

**Voltage**

- HID: 50W = 120/277V; 60 HZ standard
- 70W+ = 120/208/240/277V standard
- CFL: 120-277V; 50/60 HZ standard
- IL: 120V; 60 HZ generator standard
- 220/240-50H = 220/240V, 50HZ (HID units only)
- 347V = 347 Volt (70W HID or higher units only)

**Finish**

- BLK = Black
- BRZ = Bronze
- WHT = White
- VGN = Verde Green
- GRY = Gray
- SIL = Silver
- CC = Custom Colors (contact factory)

N5610353D

