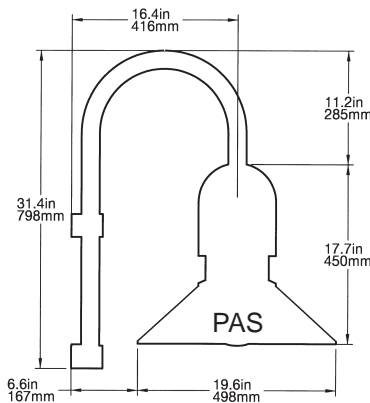
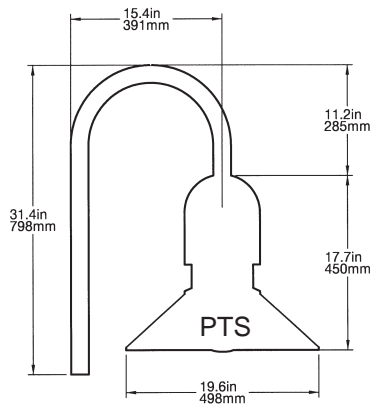
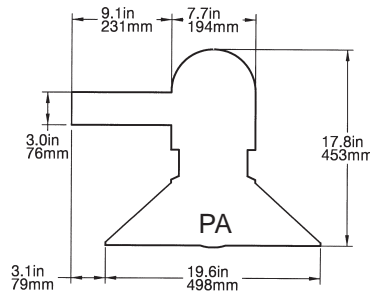


ELEGANT - Pole Mount



Dome Top

Cone Top



General: The open birdcage style of the Elegant provides decorative upright in a classic fixture.

Construction: Cast marine grade low copper content aluminum top, housing, shade, and mounting gear. Stainless steel external hardware to protect against corrosion.

Lens: Opal glass globe is standard. Clear glass globe available.

Lamps: HID and fluorescent lamps included. Accepts up to 175W PSMH and 150W HPS lamps, 26-42W compact fluorescent lamps and 150W (max.) incandescent lamps.

Ballast: Integral ballast for easy access and maintenance. 50W HID units standard with dual volt (120/277V) 60HZ ballast; 70W-175W units standard with quad volt (120/208/240/277V) 60HZ ballast; compact fluorescent units standard with universal 120-277V 50/60HZ electronic ballast.

Tops: Two top styles available: cone and dome. (straight arm only)

Mounting: Three pole mount styles available: straight arm, shepherd's crook and shepherd's crook post top. See order information for quantity and configuration details.

Pole: Sold separately. See Phoenix "Pole Specification Guide".

Finish: Textured polyester powder coat finish. Shade underside is standard with white finish. Black, bronze, gray, white, silver, and verde green options available. For custom colors, please contact factory.

Gaskets: EPDM gaskets standard.

E.P.A. and Weight: EPA: PA=0.71ft², PAS=0.90ft², PTS=0.88ft²; weight: PA=26lbs., PAS=28lbs., PTS=27lbs.

Listings: UL Listed 1598 for Wet Locations. Indoor/Outdoor listed for use in Canada.

WALL MOUNT AND BOLLARD FIXTURE AVAILABLE



PHOTOMETRICS

Please contact factory.

ORDERING INFORMATION

Example	SERIES	MOUNT	WATT/ TYPE	TOP STYLE	OPTIONS		
					LENS <small>(opal standard)</small>	VOLTAGE <small>(277V standard)</small>	FINISH
	EL	PA	100MH	C	CL	347V	BRZ
	EL	PA	50MH	C	CL	220/240-50H	BLK
		PAS	70MH	D		347V	BRZ
		PTS	100MH				WHT
			150PSMH				VGN
			175PSMH				GRY
			50HPS				SIL
			70HPS				CC
			100HPS				
			150HPS				
			INC				
			26CFL				
			32CFL				
			42CFL				

Lamp Wattage/Type (Lamp Included)

50MH = 50W Metal Halide (ED17)
 70MH = 70W Metal Halide (ED17)
 100MH = 100W Metal Halide (ED17)
 150PSMH = 150W Pulse Start Metal Halide (ED17)
 175PSMH = 175W Pulse Start Metal Halide (ED17)
 50HPS = 50W High Pressure Sodium (ED17)
 70HPS = 70W High Pressure Sodium (ED17)
 100HPS = 100W High Pressure Sodium (ED17)
 150HPS = 150W High Pressure Sodium (ED17)
 INC = Incandescent (150W max.)
 26CFL = 26W Compact Fluorescent
 32CFL = 32W Compact Fluorescent
 42CFL = 42W Compact Fluorescent

Mounting

PA = Straight Arm Pole Mount
 PAS = Shepherd's Crook Pole Mount
 PTS = Shepherd's Crook Pole Mount - Single post top mount

Top Style

C = Cone Top (n/a with Shepherd's Crook mounting styles)
 D = Dome Top

Voltage

HID: 50W = 120/277V; 60 HZ standard
 70W+ = 120/208/240/277V 60HZ standard
 CFL: 120/277V; 50/60 HZ standard

220/240-50H = 220/240V, 50HZ
 (HID units only)

347V = 347 Volt
 (70W HID or higher units only)

Lens (Opal Glass Standard)

CL = Clear Glass Globe

Finish

BLK = Black
 BRZ = Bronze
 WHT = White
 VGN = Verde Green
 GRY = Gray
 SIL = Silver
 CC = Custom Colors
 (contact factory)

N5610344C

