

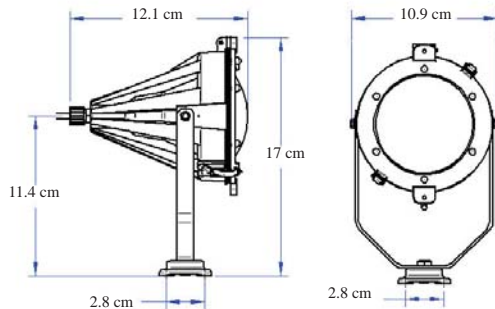
AMS/AMSR SERIES

ARCHITECTURAL ACCENT LIGHT

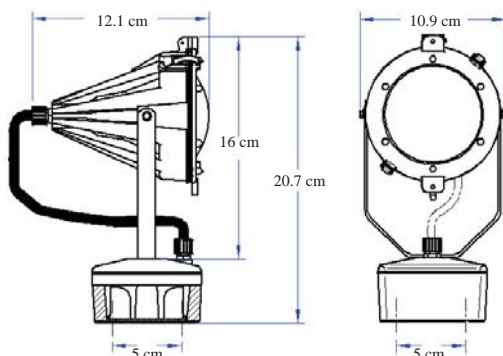
ARCHITECTURAL ACCENT LIGHT WITH DIRECT MOUNT BALLAST BOX



AMS Series



AMSR Series



General: An all-weather architectural accent light built Marine-tough, the AMS/AMSR Series is an excellent choice for landscape lighting requiring all-weather durability in harsh environments. Special effects can be achieved with the use of snoots, color filters, and glare guards.

AMS Series: Architectural accent light with integral ballast.

AMSR Series: Architectural accent light with direct mount ballast box, required for NSP optics, HID PAR 38 lamp versions, and wattages 100W and up.

Construction: Marine-grade, low-copper content aluminum housing and lens frame protect against corrosion. Stainless steel external hardware further protects against corrosion.

Gasketing: High temperature silicone gasket in lamp head and EPDM gasket in ballast box provides a positive seal against dirt and moisture.

Lens: Convex shaped, heat-resistant, heavy-duty tempered glass withstands heat and temperature shock.

Optics: Semi-specular aluminum available in flood and spot distributions. Specular aluminum available in narrow spot (NEMA 1x1) distribution.

Lamps: HID Lamps (non PAR) included. Accepts quartz arc tube ED17 PSMH up to 175W; quartz or ceramic PAR38 metal halide up to 150W; ceramic arc ED17 or T6 metal halide lamps up to 150W; double-ended metal halide up to 150W; HPS ED17 lamps up to 150W; and incandescent PAR38 up to 300W, PAR56 up to 500W, and R40 up to 500W.

Finish: Thermoset, textured polyester powder coat finish. Black, bronze, gray, white, silver, and verde green options available. For custom colors, please contact factory.

Mounting: For AMS fixtures: fasten fixture with four (4) 3/8" bolts through holes provided in mounting base. Base can be ground (on concrete pad), or cantilever mounted. For AMSR fixtures: fasten fixture with four (4) 3/8" bolts through holes provided in ballast box. Box can be ground (on concrete pad), floor, wall or ceiling mounted. Four special sealing washers provided to prevent water entry. For other mounting options contact factory.

Ballast: AMS fixtures are integrally ballasted for ease of installation. AMSR fixtures require Direct Mount Ballast Box (included).

Micro-Switch: Socket cut-off microswitch supplied on fixtures with double ended lamp for safety during relamping.

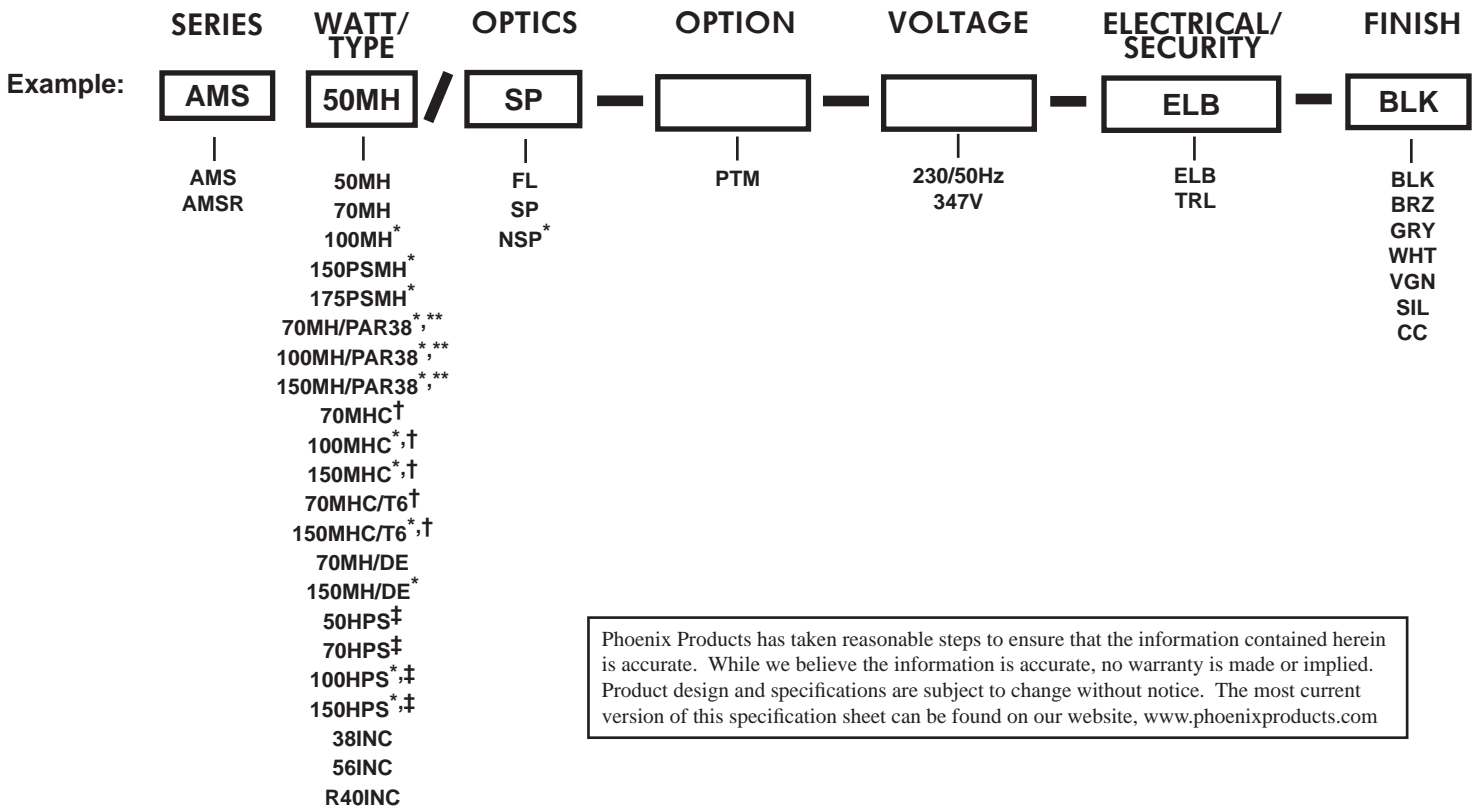
Listings: UL Listed 1598 Wet Locations. Suitable for mounting within 4 feet of ground. cUL Listed for use in Canada. Meets Coast Guard requirements (AMS only).



Weight: Fixture only: 13lbs. (5.9kg)
Direct Mount Ballast Box: 14lbs. (6.5kg)

EPA: Fixture only: .285ft²
Fixture with Direct Mount Ballast Box: .387ft²

ORDERING INFORMATION



Phoenix Products has taken reasonable steps to ensure that the information contained herein is accurate. While we believe the information is accurate, no warranty is made or implied. Product design and specifications are subject to change without notice. The most current version of this specification sheet can be found on our website, www.phoenixproducts.com

SERIES
 AMS = Architectural Accent Light with integral ballast.
 AMSR = Architectural Accent Light with direct mount ballast box. Required for NSP (NEMA 1x1) optics, HID PAR 38 lamp versions, and wattages 100W and up.

OPTION
 PTM = Pole Top Mount (AMSR ONLY)

WATTAGE/TYP
 50MH = 50W Metal Halide (ED17)
 70MH = 70W Metal Halide (ED17)
 100MH* = 100W Metal Halide (ED17)
 150PSMH* = 150W Pulse Start Metal Halide (ED17)
 175PSMH*,** = 175W Pulse Start Metal Halide (ED17)
 70MH/PAR38*,** = 70W Metal Halide (PAR 38)
(Ceramic or quartz arc tube - order separately)
 100MH/PAR38*,** = 100W Metal Halide (PAR 38)
(Ceramic or quartz arc tube - order separately)
 150MH/PAR38*,** = 150W Metal Halide (PAR 38)
(Ceramic or quartz arc tube - order separately)
 70MHC† = 70W Metal Halide (Ceramic ED17)
 100MHC*,† = 100W Metal Halide (Ceramic ED17)
 150MHC*,† = 150W Metal Halide (Ceramic ED17)
 70MHC/T6† = 70W Metal Halide (Ceramic T-6)
 150MHC/T6† = 150W Metal Halide (Ceramic T-6)
 70MH/DE = 70W Metal Halide (Double-ended HQI)
 150MH/DE* = 150W Metal Halide (Double-ended HQI)
 50HPS‡ = 50W High Pressure Sodium (ED17)
 70HPS‡ = 70W High Pressure Sodium (ED17)
 100HPS*,‡ = 100W High Pressure Sodium (ED17)
 150HPS*,‡ = 150W High Pressure Sodium (ED17)
 38INC = Incandescent (PAR38 - 300W max.)
 56INC = Incandescent (PAR56 - 500W max.)
 R40INC = Incandescent (R-40 - 500W max.)

OPTICS
 FL = Flood
 SP = Spot
 NSP* = Narrow Spot

VOLTAGE
 HID: 50W = 120/277V; 60 HZ standard
 70W+ = 120/208/240/277V; 60HZ standard
 Ballasts tapped at 277V unless specified.

230/50Hz = 230 Volts; 50 Hz
 347V = 347 Volt (70W HID or higher units only)

ELECTRICAL/SECURITY
 ELB = Electronic Ballast
 TRL = Tamper-Resistant Latches

FINISH
 BLK = Black
 BRZ = Bronze
 GRY = Gray
 WHT = White
 VGN = Verde Green
 SIL = Silver
 CC = Custom Color (Contact Factory)

* Available with AMSR (direct mount ballast box version only).
 ** PAR38 lamps available in quartz arc tube or ceramic arc tube. Order separately.
 *** Only for vertical base up +/- 15° applications
 † MasterColor 3000K lamp standard. For alternate lamp manufacturers or alternate color temperatures, contact factory.
 ‡ Not available with electronic ballast.

N5610151E

ACCESSORIES (FIELD INSTALLED)

Snoots (Order Separately)



Specify: STK/S7
7" dia. x 6" long
Standard color is black.
For alternate colors,
add color code to the
end of order number.



Specify: STK-7
7" dia. x 12" long
Standard color is black.
For alternate colors,
add color code to the
end of order number.

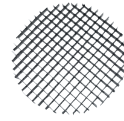
Snoot Accessories (Order Separately)



Dichroic Filter

Blue = DF-B7 Red = DF-R7
Green = DF-G7 Yellow = DF-Y7

Other dichroics available upon request.
Contact factory for color specs on above dichroics.
Not to be used in conjunction with other glass lenses
in snoot kit.



Egg Crate Glare Guard

Specify: GG-EGG7
Available in Black only.

Not Shown:

Coarse Prismatic Lens 7" = SL-CPL7

Fine Prismatic Lens 7" = SL-FPL7

Stippled Lens 7" = SL-SPL7

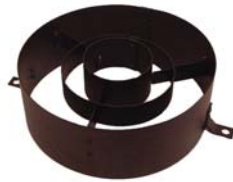
Not to be used in conjunction with other glass or color lenses in snoot kit.

Flat Top Visor



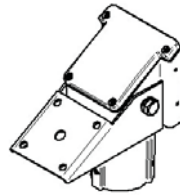
Specify: V-F6
8.5" dia. x 6" long
Standard color is black.

Concentric Louver Visor



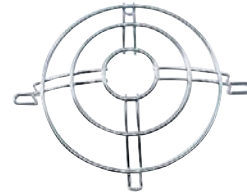
Specify: VF3/R
8.5" dia. x 3" long
Standard color is black.

Slipfitter Mount



Specify: SFM
Only available with AMS Series.

Wire Lens Guard

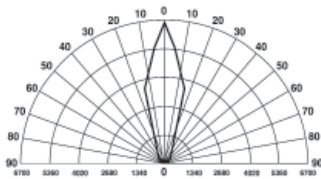


Specify: WG-7
Can not be used in
conjunction with Snoot
STK/S accessory.

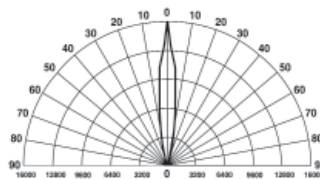
PHOTOMETRICS

CANDELA CURVE DATA

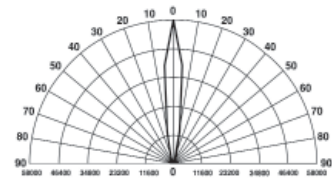
FOOTCANDLES = $\frac{\text{CENTERLINE CANDELAS}}{(\text{DISTANCE FROM FIXTURE})^2}$



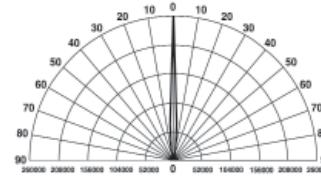
AMS70MH/FL
70W ED17 MH, Flood Optics
NEMA Type 4x4
5,000 Lumens



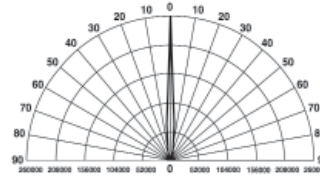
AMS70MH/SP
70W ED17 MH, Spot Optics
NEMA Type 3x3
5,000 Lumens



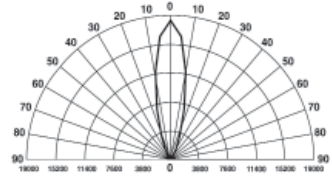
AMSR100MH/PAR38
100W PAR38 MH, Spot Optics
NEMA Type 2x2
6,800 Lumens



AMSR150MHC/NSP
150W Ceramic ED17 MH
Narrow Spot Optics
NEMA Type 1x1
13,500 Lumens



AMSR150MHC/T6/NSP
150W Ceramic T-6 MH
Narrow Spot Optics
NEMA Type 1x1
13,500 Lumens



AMSR150MH/DE/SP with snoot
and stippled lens
150W Double-ended HQI MH
Spot Optics
NEMA Type 4x4
12,000 Lumens

LAMPING/OPTICS AVAILABILITY

Lamp Wattage/Type	Flood	Spot	Narrow Spot*
50MH	X	X	X
70MH	X	X	X
100MH*	X	X	X
150PSMH*	X	X	X
175PSMH*	X	X	X
70MH/PAR38****	Per Lamp Mfgr.		
100MH/PAR38****	Per Lamp Mfgr.		
150MH/PAR38****	Per Lamp Mfgr.		
70MHC†	X	X	X
100MHC*,†	X	X	X
150MHC*,†	X	X	X
70MHC/T6†	X	X	X
150MHC/T6*,†	X	X	X
70MH/DE	X	X	-
150MH/DE*	X	X	-
50HPS‡	X	X	X
70HPS‡	X	X	X
100HPS*,‡	X	X	X
150HPS*,‡	X	X	X
38INC	Per Lamp Mfgr.		
56INC	Per Lamp Mfgr.		
R40INC	Per Lamp Mfgr.		

* Available with AMSR (direct mount ballast box) version only.

** PAR 38 lamps available in quartz arc tube or ceramic arc tube. Order separately.

† Philips MasterColor 3000K lamp standard. For alternate lamp manufacturers or alternate color temperatures, contact factory.

‡ Not available with electronic ballast.

N5610151E